

Public Sanitation Facility, Drawings & BoQs

Appendix

Table of Contents

1. Cover page
2. Architectural Table of Contents
3. Presentation Plan
4. Technical Plan
5. Front Elevation
6. Side Elevation (02)
7. Rear Elevation
8. Side Elevation (04)
9. Section X-X
10. Section Y1-Y1
11. Section Y2-Y2
12. Structural Table of Contents
13. Foundation Details
14. Foundation Section
15. Columns Details
16. Beams Details
17. Slabs Details
18. Bar Bending Schedules
19. Bar Bending Schedules
20. Details Table of Contents
21. Urinal Details
22. Wash Hand Basin Details
23. Disabled WC & Shop Details
24. WC Details
25. Ladies' Shower Details
26. Gent's Shower Details
27. Store Details

28. Veranda Details
29. Door Schedule & Details
30. Window Schedule & Details
31. Steel Roof Details
32. Steel Roof Connections
33. Drainage Details
34. Health Education Posters
35. Plumbing & Electrical Table of Contents
36. Plumbing Plan
37. Plumbing Section X1-X1
38. Section Y1-Y1
39. Electrical Layout

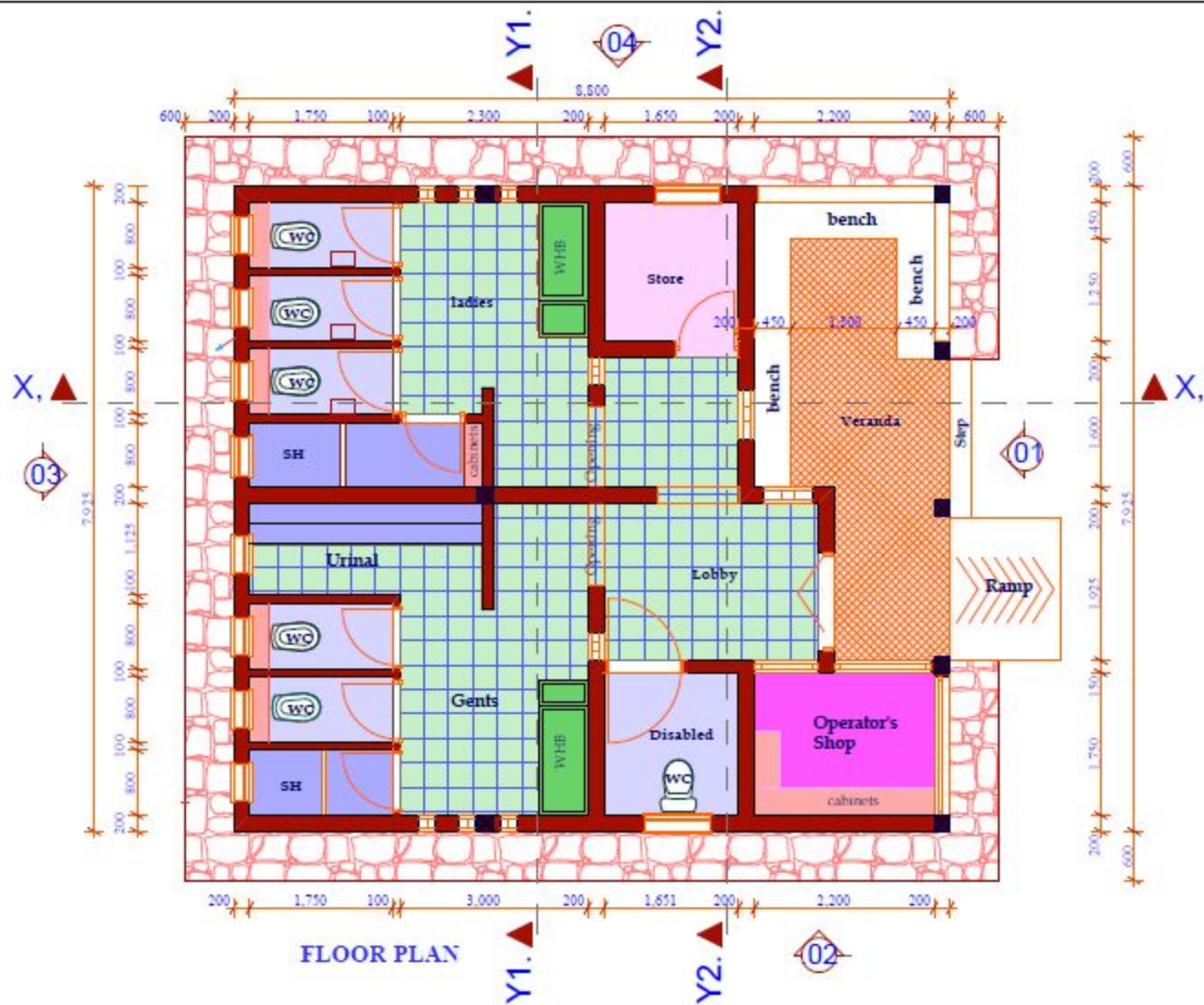
**PUBLIC SANITATION
FACILITY**



ARCHITECTURAL DRAWINGS

TABLE OF CONTENTS

No.	Dwg. Title	Dwg. No.	Page
1	Presentation Floor plan	ARC - 01	1
2	Architectural Floor Plan	ARC - 02	2
3	Elevation 01	ARC - 03	3
4	Elevation 02	ARC - 04	4
5	Elevation 03	ARC - 05	5
6	Elevation 04	ARC - 06	6
7	Section X - X	ARC - 07	7
8	Section Y - Y	ARC - 08	8
9	Section Y2 - Y2	ARC - 09	9



Project Title:
PUBLIC SANITATION BLOCK



Client:



WATER SERVICES
TRUST FUND (WSTF)

Drawing Title
PRESENTATION
FLOOR PLAN

Drawing No.
ARC 01

Designed By:
Edward Kung's
Idea Matt

Drawn By:
Edward K. Kung's

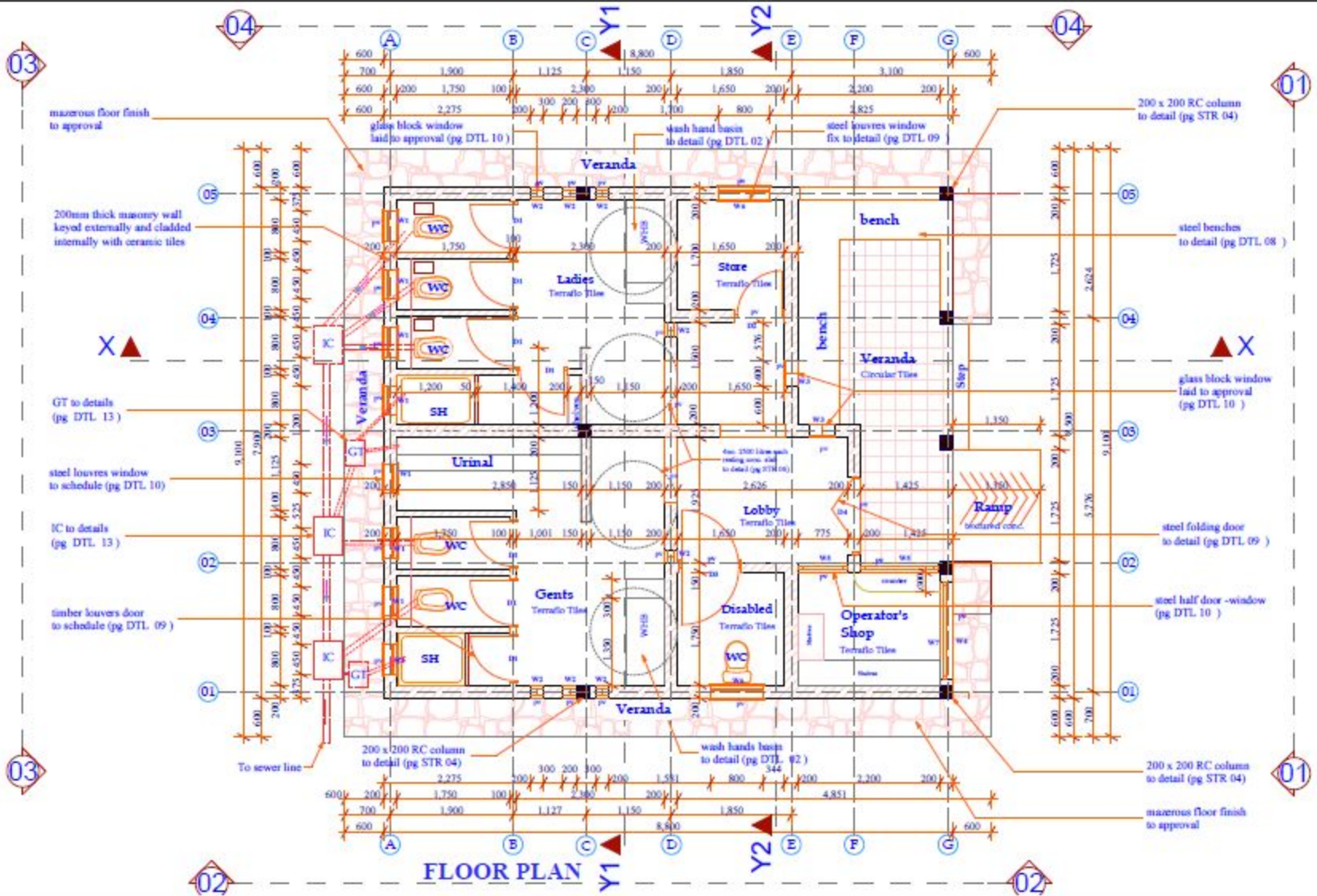
Checked By:
John Orwa

Approved by:
CEO - Water Services Trust Fund

Signature: _____

Scale 1: 50

page 1



Project Title:
PUBLIC SANITATION BLOCK

Client:
WATER SERVICES TRUST FUND (WSTF)

Drawing Title:
TECHNICAL FLOOR PLAN

Drawing No.:
ARC 02

Designed By:
Edward Kung's
Idea Matt

Drawn By:
Edward K. Kung's

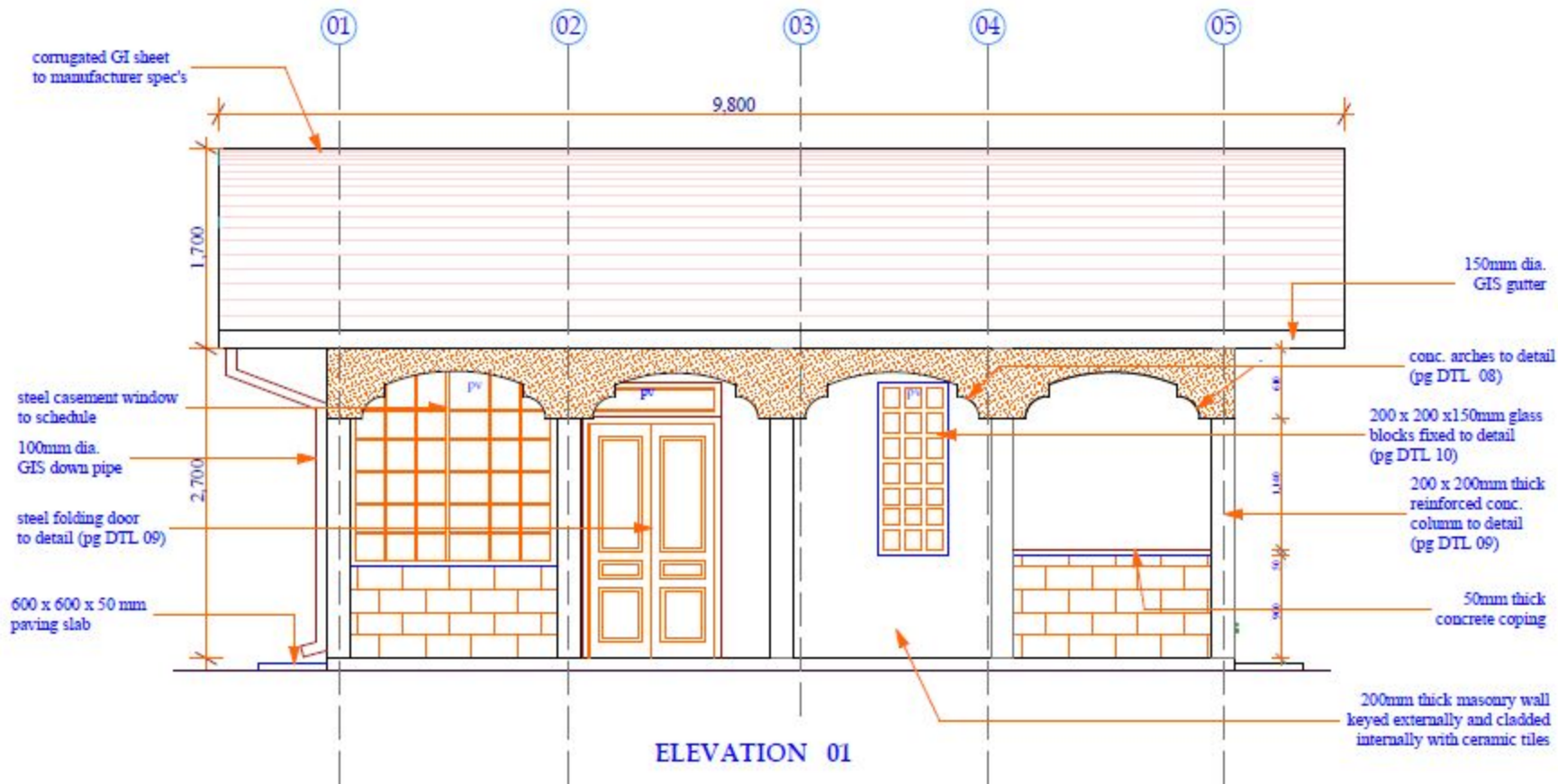
Checked By:
Jobs Owa

Approved by:
CEO - Water Services Trust Fund

Signature: _____

Scale: 1 : 50

Page: 2



Project Title:

PUBLIC SANITATION BLOCK



Client:



WATER SERVICES TRUST FUND (WSTF)

Drawing Title

FRONT ELEVATION 01

Drawing No.

A.B.C 03

Designed By:

Edward Kung's
Edna Mui

Drawn By:

Edward K. Kung's

Checked By:

John Orwa

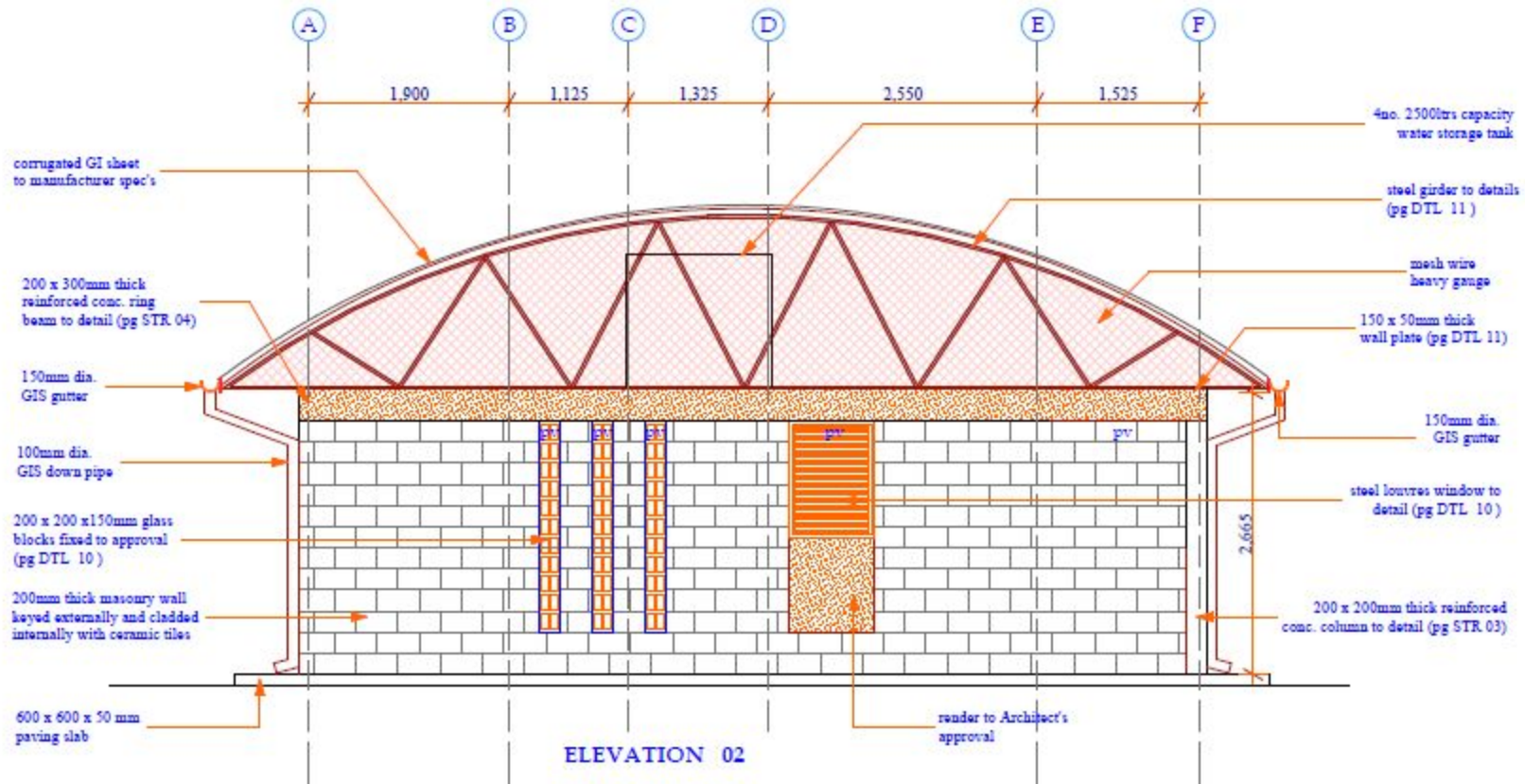
Approved by

CDO - Water Services Trust Fund

Signature:

Scale 1 : 30

page 3



Project Title:

PUBLIC SANITATION BLOCK



Client:



WATER SERVICES TRUST FUND (WSTF)

Drawing Title

SIDE ELEVATION 02

Drawing No.

A.B.C 04

Designed By:

Edward Kung's
Idea Matt

Drawn By:

Edward K. Kung's

Checked By:

John Orwa

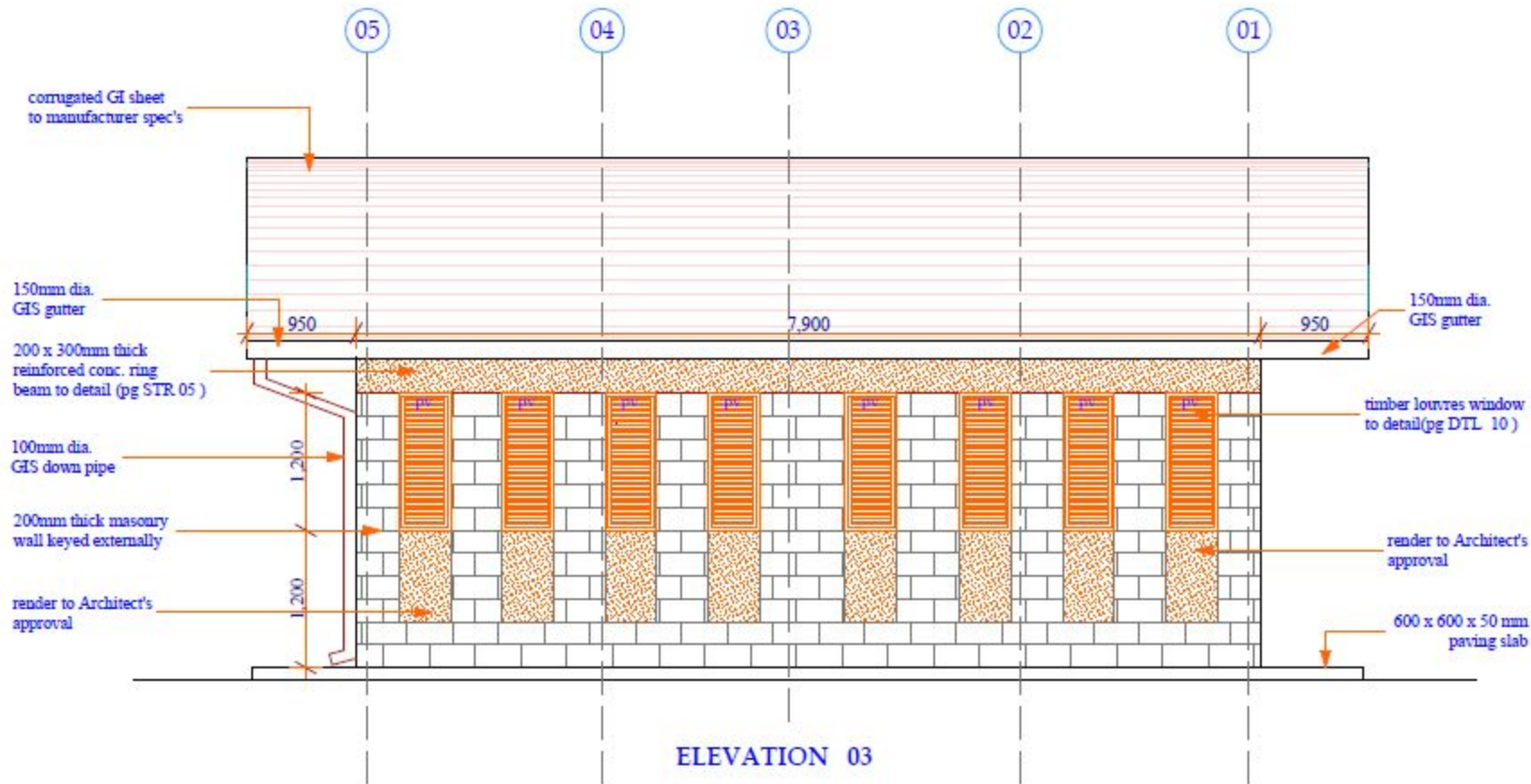
Approved by

CEO - Water Services Trust Fund

Signature:.....

Scale 1: 50

page 4



Project Title:

PUBLIC SANITATION BLOCK



Client:



WATER SERVICES TRUST FUND (WSTF)

Drawing Title

REAR ELEVATION 03

Drawing No.

ARC 05

Designed By:

Edward Kung's
Eden Mall

Drawn By:

Edward K. Kung's

Checked By:

John Orwa

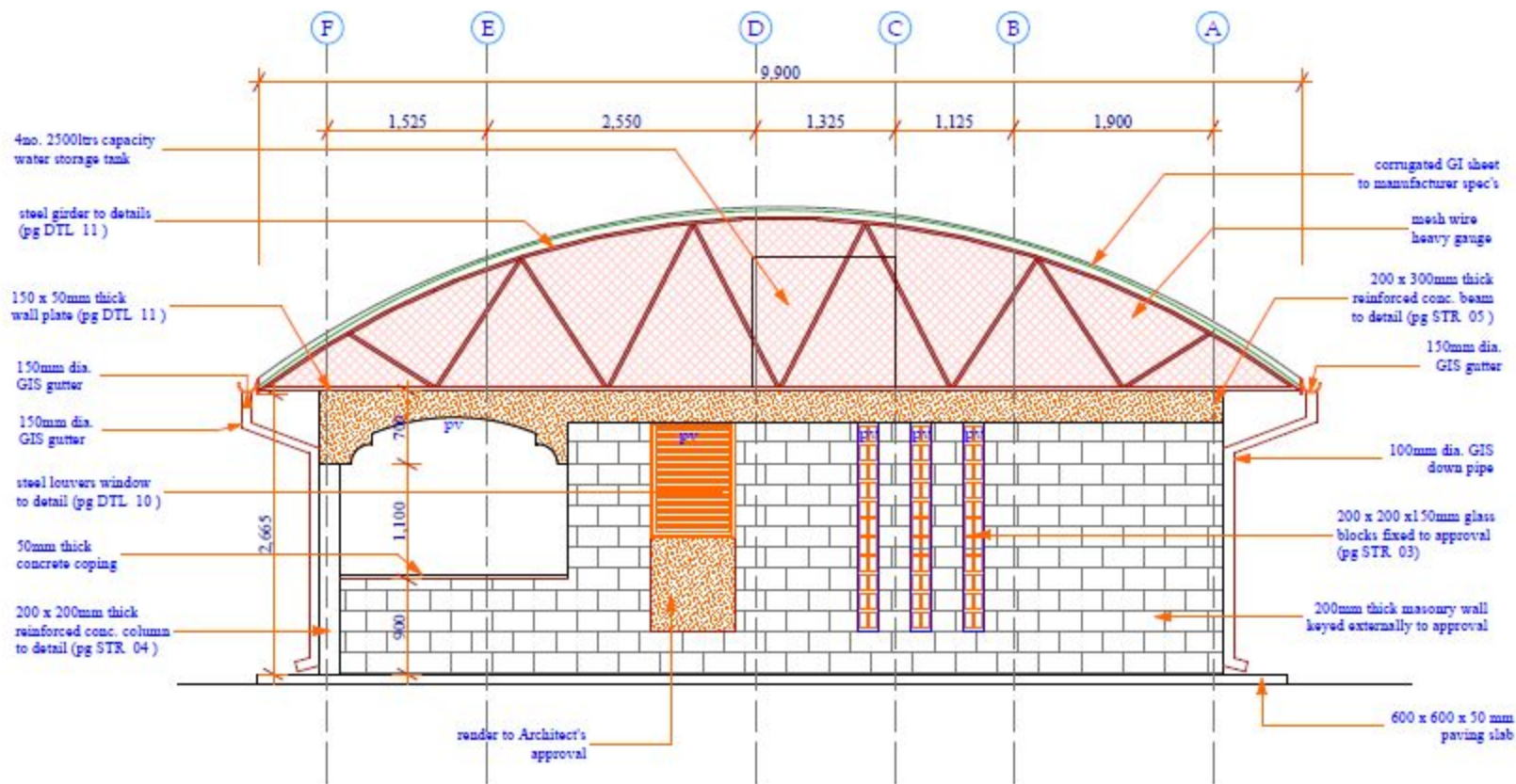
Approved by:

CEO - Water Services Trust Fund

Signature:.....

Scale 1 : 50

page 5



ELEVATION 04

Project Title:
PUBLIC SANITATION BLOCK



Client:
WATER SERVICES TRUST FUND (WSTF)

Drawing Title
SIDE ELEVATION 04

Drawing No.
ARC 06

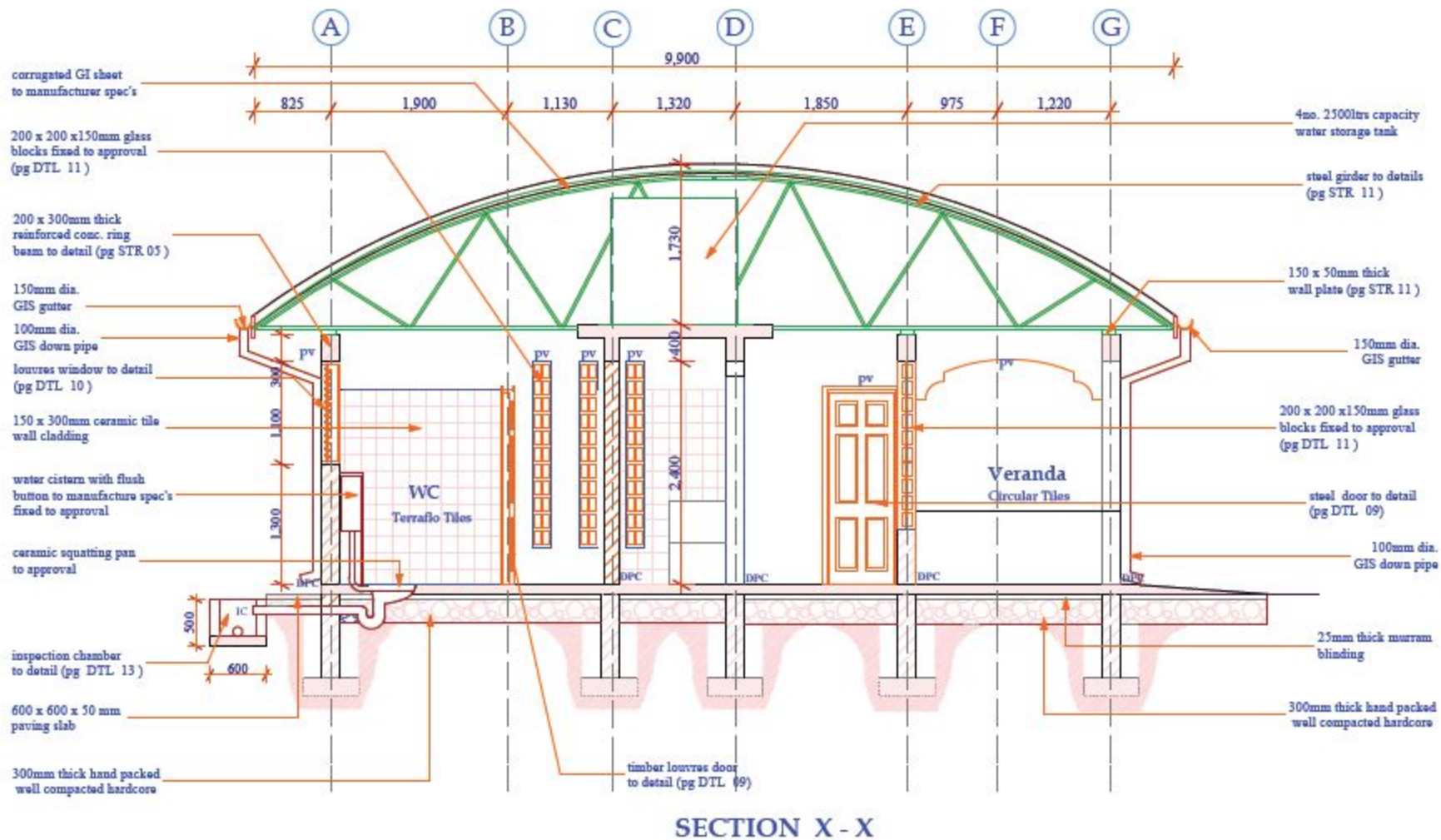
Designed By:
Edward Kung's
Eden Mall

Drawn By:
Edward K. Kung's

Checked By:
Johs Orwa

Approved by:
CEO - Water Services Trust Fund
Signature:.....

Scale 1: 50
page 6



Project Title:
PUBLIC SANITATION BLOCK



Client:



WATER SERVICES
TRUST FUND (WSTF)

Drawing Title
SECTION X - X

Drawing No.
ARC 07

Designed By:
Edward K. Kiang's
Eden Matt

Drawn By:
Edward K. Kiang's

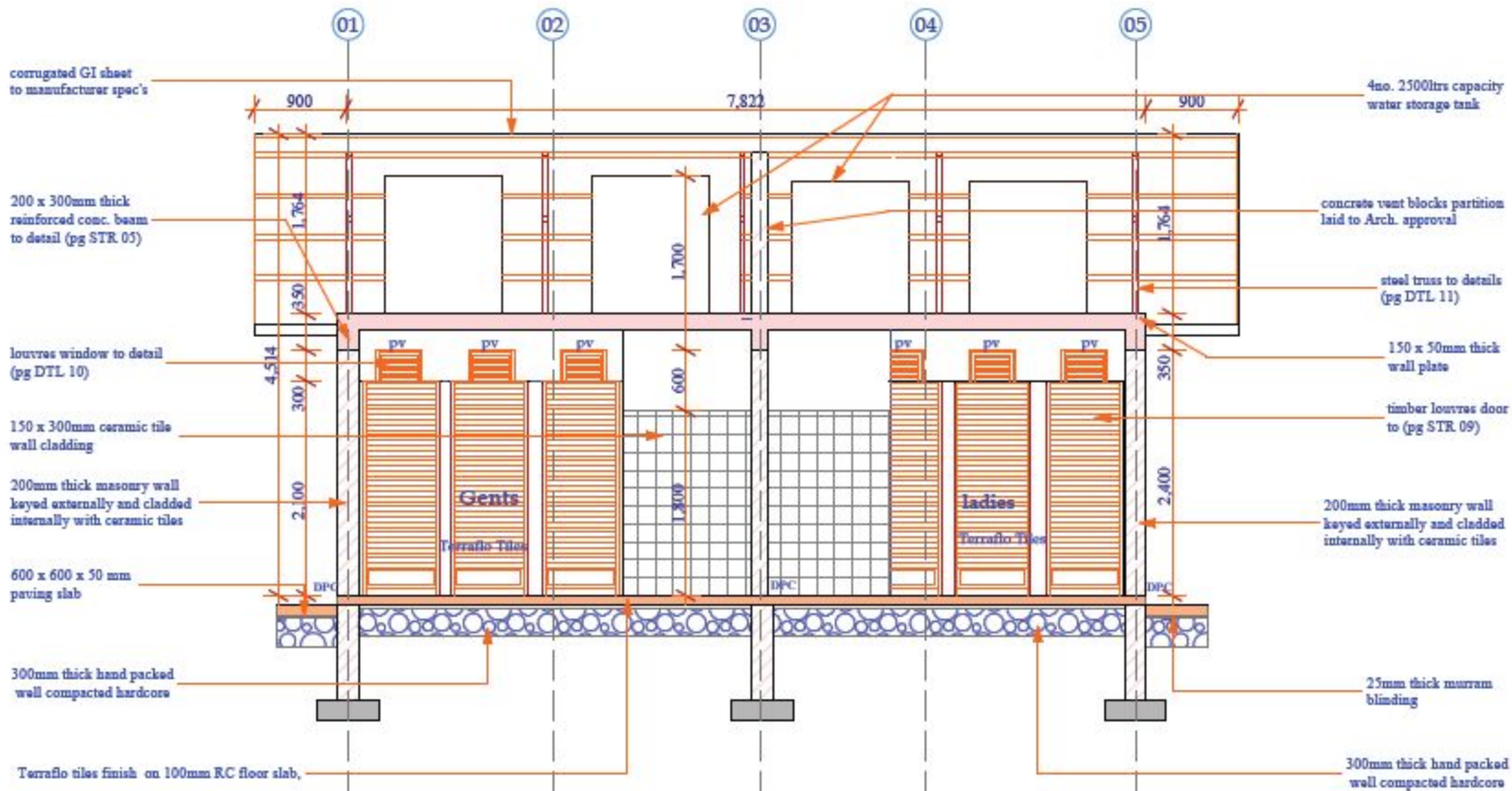
Checked By:
John Orwa

Approved by:
CED - Water Services Trust Fund

Signature:

Scale 1: 50

page 7



Project Title:

PUBLIC SANITATION BLOCK



Client:



WATER SERVICES
TRUST FUND (WSTF)

Drawing Title

SECTION Y - Y

Drawing No.

ARC 05

Designed By:

Edward Kang'a
Eden Muti

Drawn By:

Edward K. Kang'a

Checked By:

John Orwa

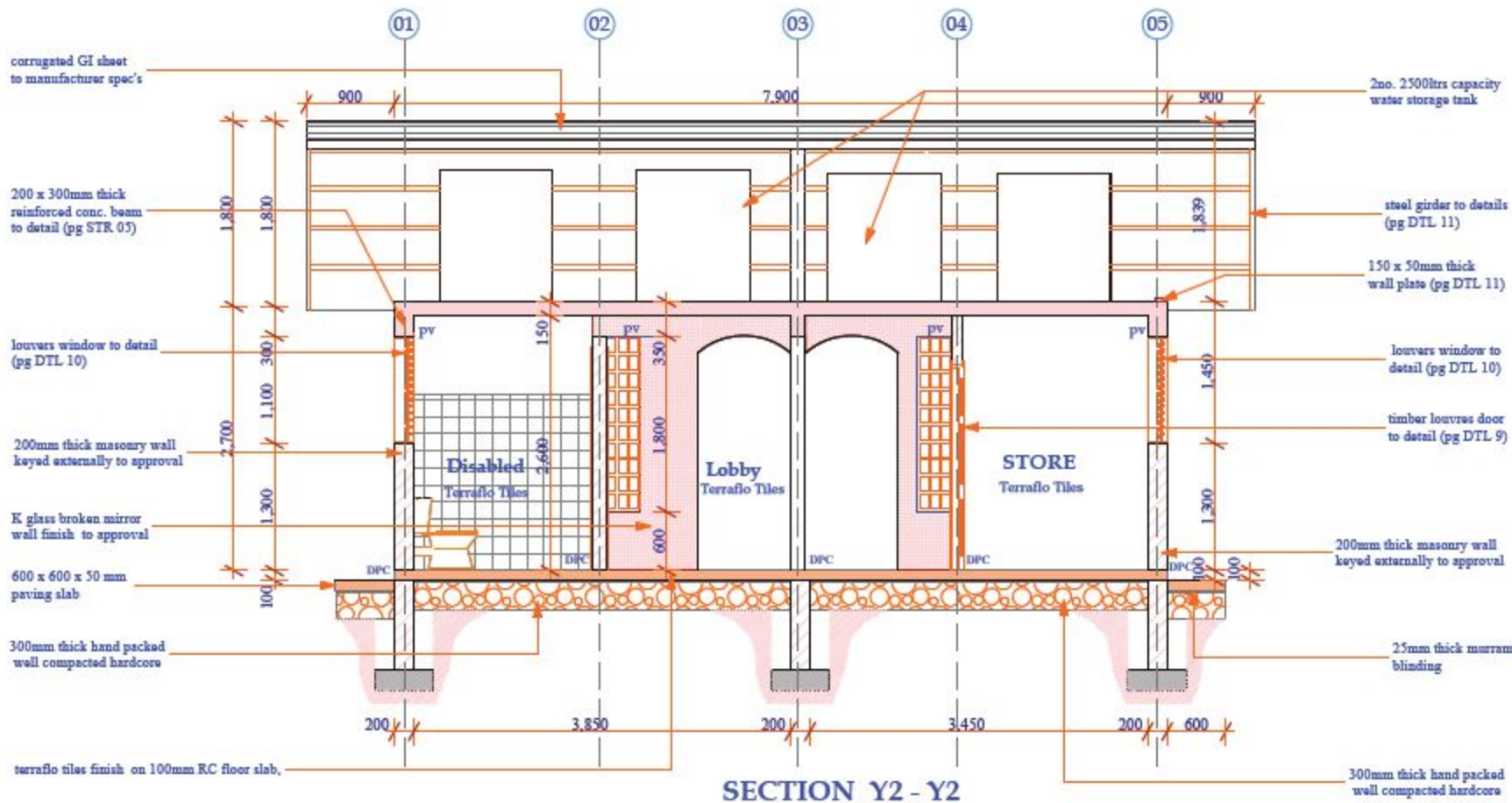
Approved by:

CEO - Water Services Trust Fund

Signature.....

Scale 1: 50

page 8



Project Title:
PUBLIC SANITATION BLOCK



Client:



WATER SERVICES
TRUST FUND (WSTF)

Drawing Title
SECTION Y2 - Y2

Drawing No.
ARC 09

Designed By:
Edward Kang'u
Eden Muti

Drawn By:
Edward K. Kang'u

Checked By:
John Owa

Approved by
CEO - Water Services Trust Fund

Signature.....

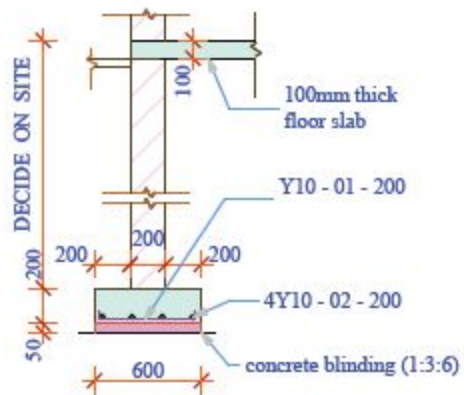
Scale 1: 50

page 9

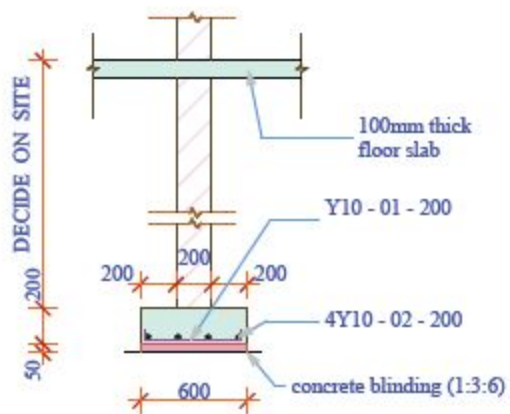
STRUCTURAL DRAWINGS

TABLE OF CONTENTS

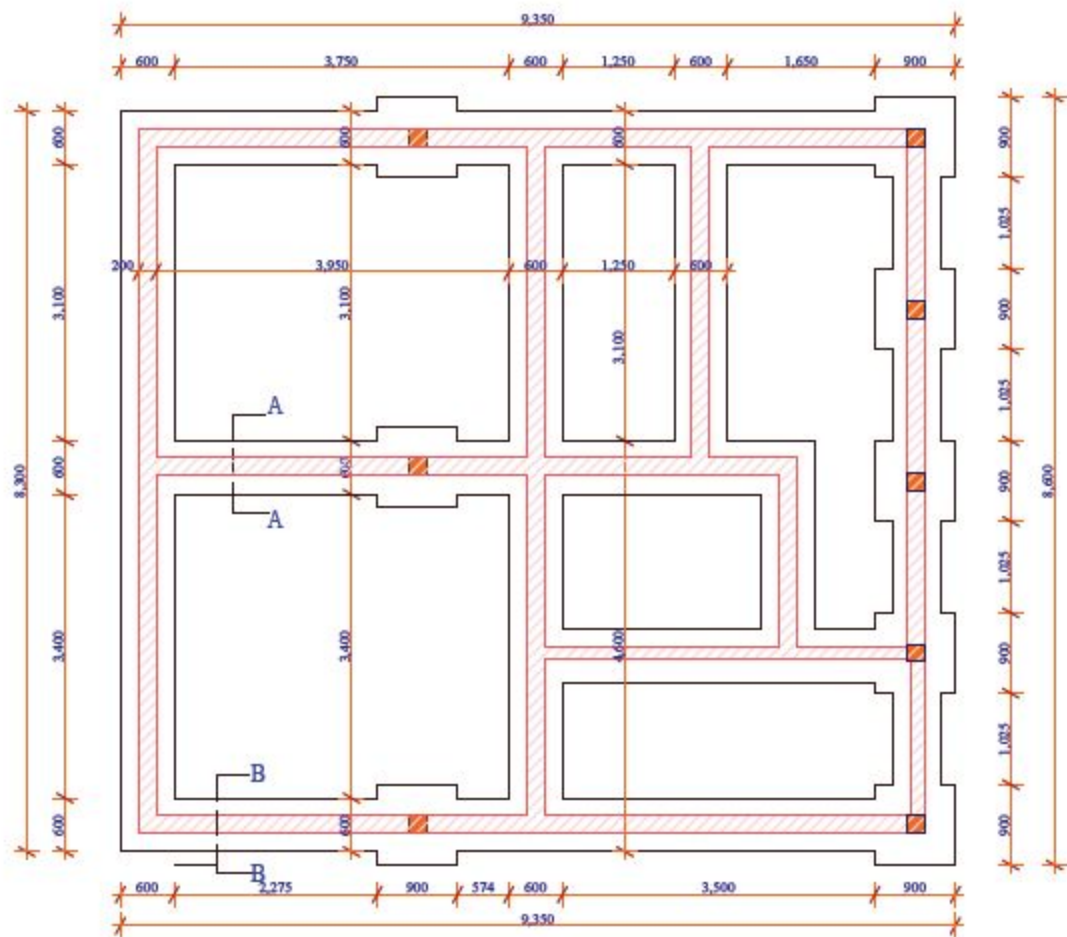
No.	Dwg. Title	Dwg. No.	Page
1	Foundation Detail	STR - 01	01
2	Foundation Section	STR - 02	02
3	Column Details	STR - 03	03
4	Beam Details	STR - 04	04
5	Slabs Details	STR - 05	05
6	Bar Schedules	STR - 06	06
7	Bar Schedules	STR - 07	07



TYPICAL STRIP FOOTING SHOWN THUS B



TYPICAL STRIP FOOTING SHOWN THUS A



STRIP FOUNDATION LAYOUT PLAN

Project Title:
PUBLIC SANITATION BLOCK



Client:



WATER SERVICES TRUST FUND (WSTF)

Drawing Title
FOUNDATION LAYOUT

Drawing No.
STR 01

Designed By:
Edward Kung'u
Eden Muli

Drawn By:
Edward K. Kung'u

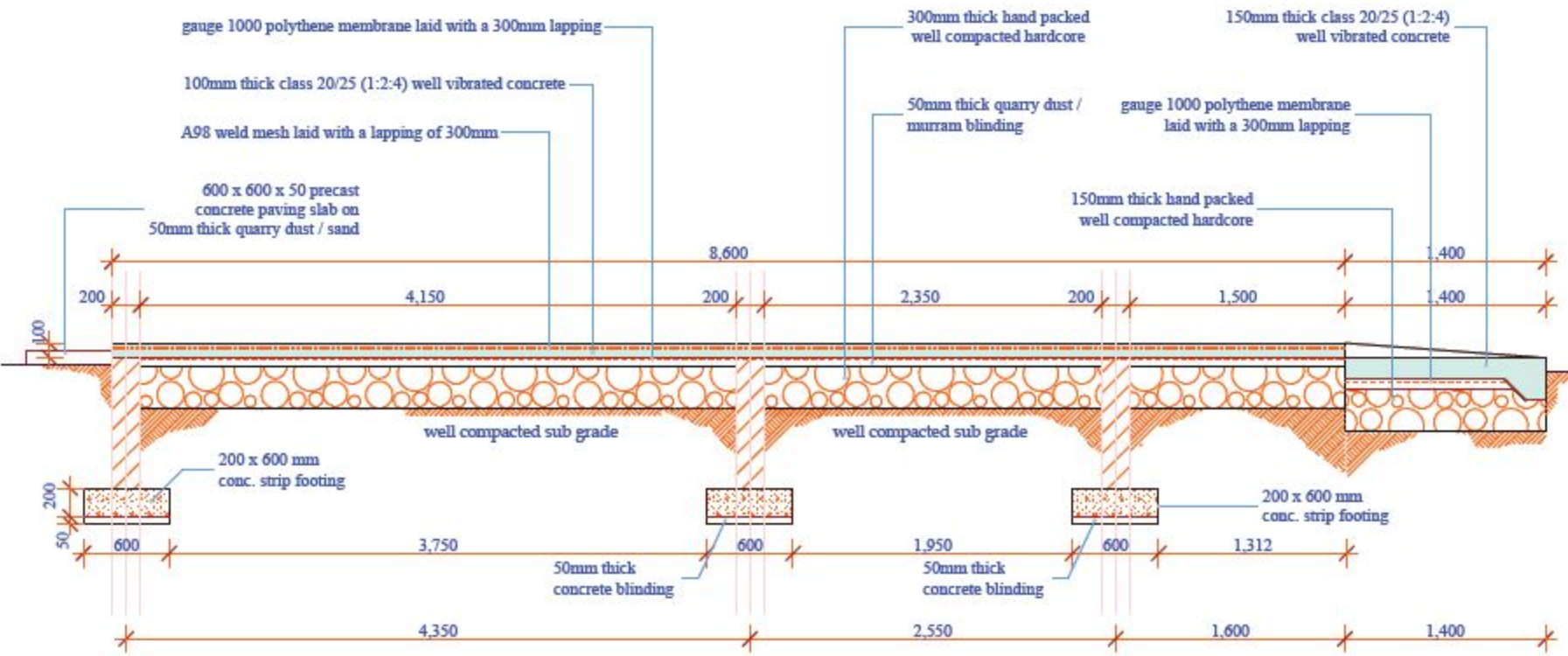
Checked By:
John Orwa

Approved by:
CEO - Water Services Trust Fund

Signature:

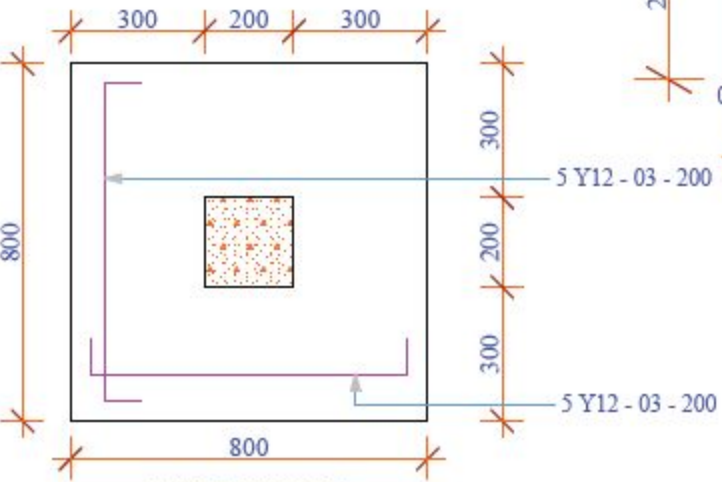
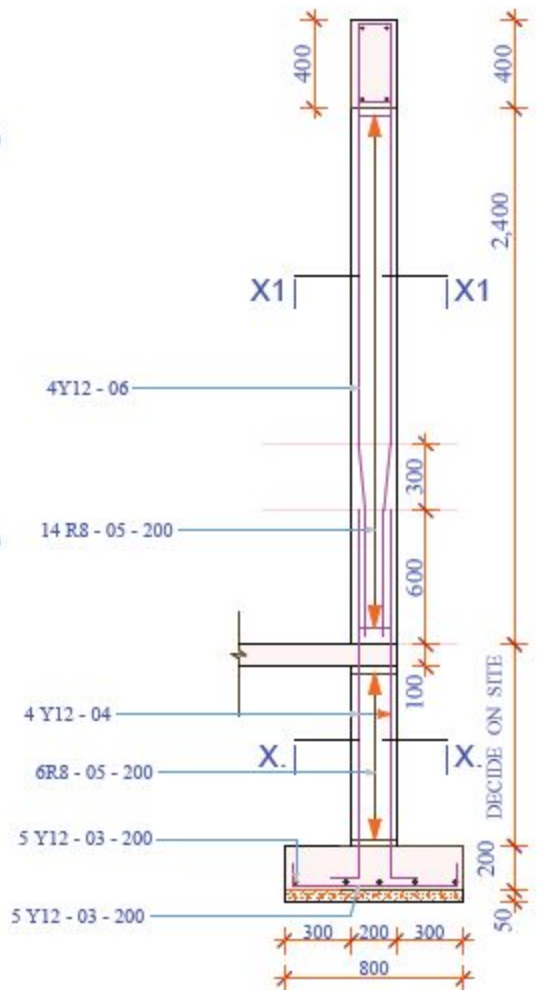
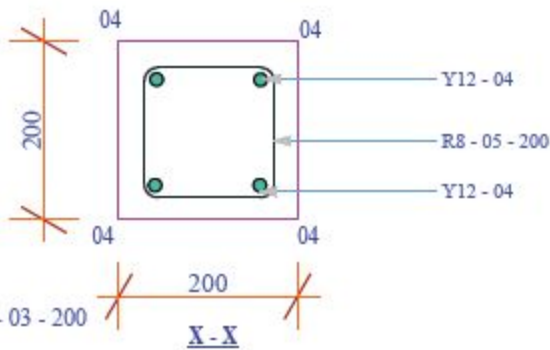
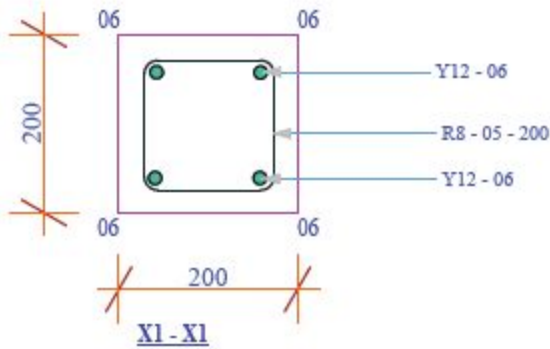
Scale 1 : 50
1 : 25

page 1



FOUNDATION SECTION

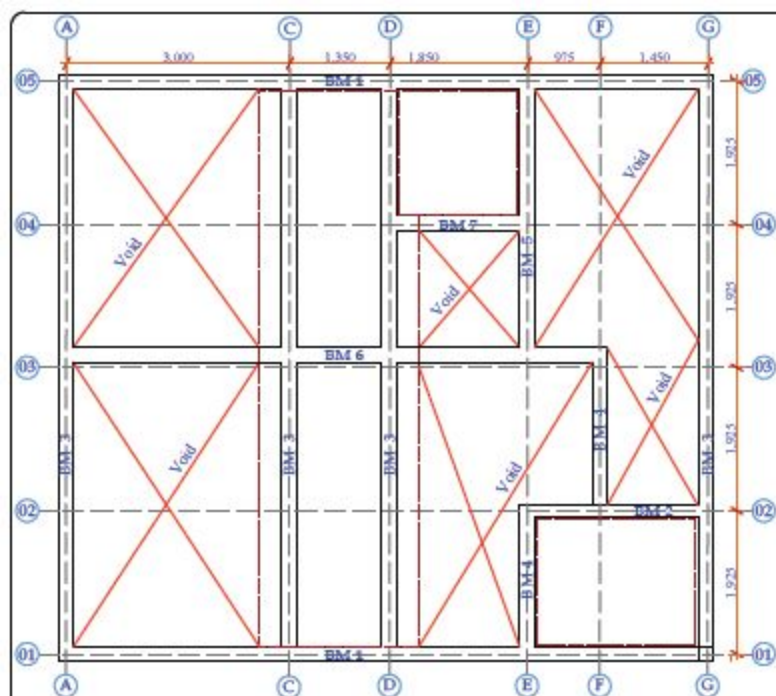
<p>Project Title: PUBLIC SANITATION BLOCK</p> 	<p>Client: WATER SERVICES TRUST FUND (WSTF)</p> 	<p>Drawing Title: FOUNDATION SECTION</p>	<p>Drawing No.: STR 02</p>	<p>Designed By: Edward Kung'u Eden Muli</p>	<p>Drawn By: Edward K. Kung'u</p>	<p>Checked By: John Orwa</p>	<p>Approved by: CEO - Water Services Trust Fund</p> <p>Signature:</p>	<p>Scale: 1 : 25</p> <p>Page: 2</p>
---	--	---	---------------------------------------	--	--	---	--	---



TYPICAL COLUMN BASE REINFORCEMENT DETAIL

NOTES
 Cover to slab is 25mm
 Cover to beam is 30mm
 Cover to column is 40mm
 Cover to base is 50mm

TYPICAL DETAIL FOR COLUMN & COL. BASE SHOWN THUS D 8no.



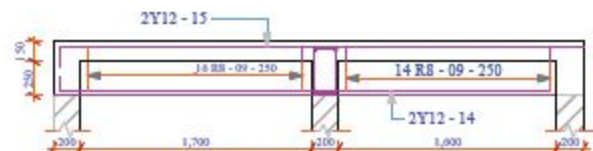
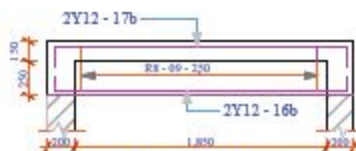
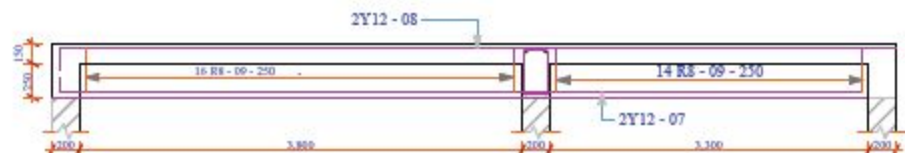
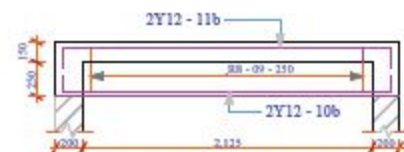
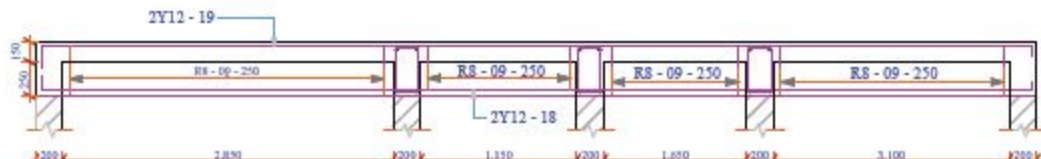
LAYOUT PLAN AT RING BEAM LEVEL



NOTES
 Cover to slab is 25mm
 Cover to beam is 30mm
 Covey to column is 40mm
 Cover to base is 50mm



TYPICAL BEAM SECTIONS



Project Title:
PUBLIC SANITATION BLOCK

Client:
WATER SERVICES TRUST FUND (WSTF)

Drawing Title:
BEAMS DETAILS

Drawing No.:
STR 04

Designed By:
Edward K. Kong's
Eden Mall

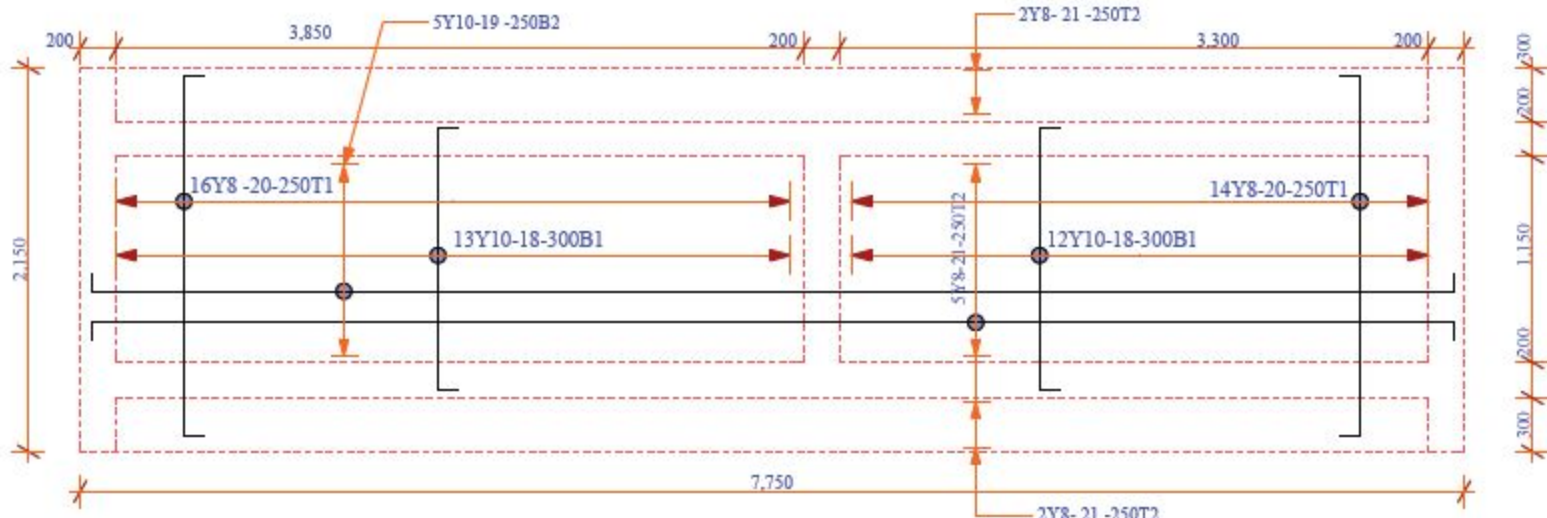
Drawn By:
Edward K. Kong's

Checked By:
John Chua

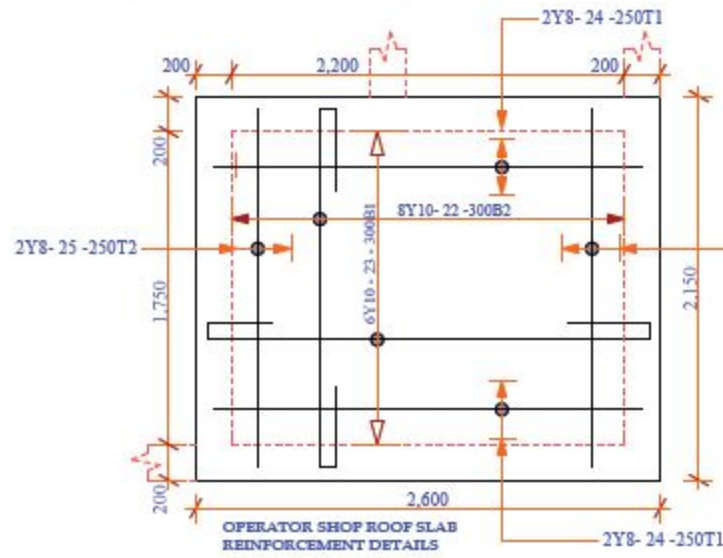
Approved by:
CEO - Water Services Trust Fund

Scale: 1 : 20

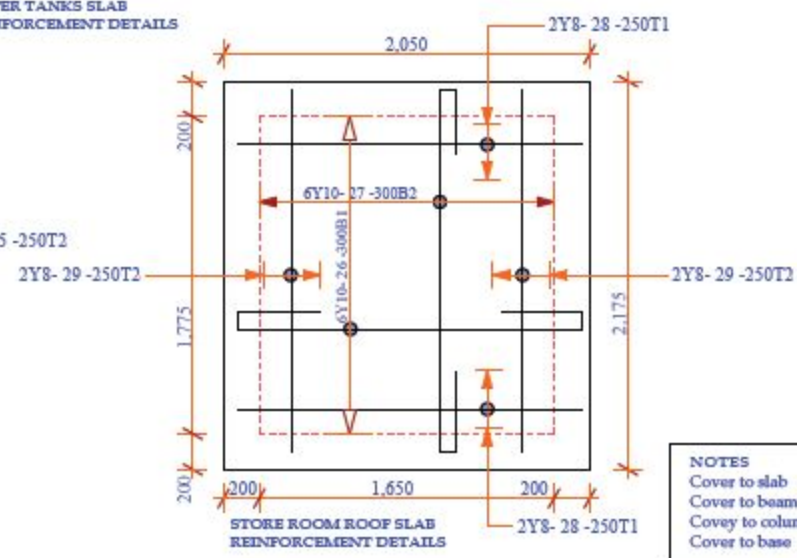
page: 4



WATER TANKS SLAB REINFORCEMENT DETAILS



OPERATOR SHOP ROOF SLAB REINFORCEMENT DETAILS



STORE ROOM ROOF SLAB REINFORCEMENT DETAILS

- NOTES**
- Cover to slab is 25mm
 - Cover to beam is 30mm
 - Covey to column is 40mm
 - Cover to base is 50mm

Project Title:
PUBLIC SANITATION BLOCK

Client:
WATER SERVICES TRUST FUND (WSTF)

Drawing Title:
SLABS DETAILS

Drawing No.:
STR 05

Designed By:
Edward Kung'u
Eden Mall

Drawn By:
Edward K. Kung'u

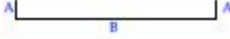

Checked By:
John Orwa

Approved by:
CED - Water Services Trust Fund

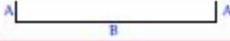
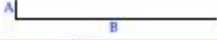


Signature.....

Scale: 1: 20

page: 5

Item	Description	Bar type	Bar mark	Shape	Dimensions (mm)				Length (mm)	Number	Total length (mm)
					A	B	C	D			
1	<u>Foundation Footing</u>	Y10	01		100	500			2,000	187	574,000
		Y10	02			12,000			12,000	19	228,000

Length of bar is estimated to be 12,000mm

Item	Description	Bar type	Bar mark	Shape	Dimensions (mm)				Length (mm)	Number	Total length (mm)
					A	B	C	D			
2	<u>Columns base</u>	Y12	05		100	700			900	80	72,000
2	<u>Columns</u>	Y12	04		300	1,800			2,100	32	67,800
		RS	05		100	100			500	160	80,000
		Y12	06		100	2,250	250	500	3,100	32	99,200

Length of bar is estimated to be 12,000mm

Project Title:

PUBLIC SANITATION BLOCK



Client:



WATER SERVICES
TRUST FUND (WSTF)

Drawing Title

BAR BENDING
SCHEDULE

Drawing No.

STR 06

Designed By:

Edward Kung's
Eden Matt

Drawn By:

Edward K. Kung's

Checked By:

John Owa

Approved by:

CEO - Water Services Trust Fund

Signature:.....

Scale

page 6

Item	Description	Bar type	Bar mark	Shape	Dimensions (mm)				Length (mm)	Number	Total length (mm)
					A	B	C	D			
1	Beams	Y12	07		100	7,680			7,680	8	61,440
		Y12	08		100	7,680			7,680	8	61,440
		R 8	09		150	360			1,020	253	258,060
		Y12	10a		100	2,450			2,650	2	5,300
		Y12	11b		100	2,450			2,650	2	5,300
		Y12	10b		100	2,125			2,325	2	4,650
		Y12	11b		100	2,125			2,325	2	4,650
		Y12	12		100	2,050			2,250	4	9,000
		Y12	13		100	2,050			2,250	4	9,000
		Y12	14		100	3,750			3,950	2	7,900
		Y12	15		100	3,750			3,950	2	7,900
		Y12	16a		100	7,100			7,300	2	7,900
		Y12	17a		100	7,100			7,300	2	7,900
		Y12	16b		100	1,850			2,050	2	4,100
		Y12	17b		100	1,850			2,050	2	4,100

Item	Description	Bar type	Bar mark	Shape	Dimensions (mm)				Length (mm)	Number	Total length (mm)
					A	B	C	D			
1	Slabs	Y10	18		100	1,175			1,375	25	34,375
		Y10	19		100	7,700			7,900	5	39,500
		Y8	20		100	2,100			2,300	25	57,500
		Y8	21		100	7,700			7,900	9	71,100
		Y10	22		100	2,100	700		3,700	8	29,600
		Y10	23		100	2,550	750		4,250	6	25,500
		Y8	24		2,550				2,550	4	10,200
		Y8	25		2,100				2,100	4	8,400
		Y10	26		100	2,000	600		3,400	6	20,400
		Y10	27		100	2,125	700		3,725	6	22,350
		Y8	28		2,000				2,000	4	8,000
		Y8	29		2,125				2,125	4	8,500

Length of bar is estimated to be 12,000mm

Project Title:

PUBLIC SANITATION BLOCK



Client:



WATER SERVICES TRUST FUND (WSTF)

Drawing Title

BAR BENDING SCHEDULE

Drawing No.

STR 07

Designed By:

Edward King's
Eden Matt

Drawn By:

Edward K. King's

Checked By:

John Orwa

Approved by:

CEO - Water Services Trust Fund

Signature:.....

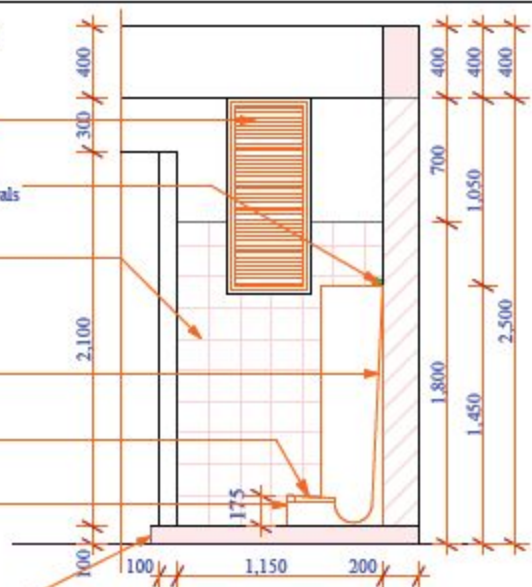
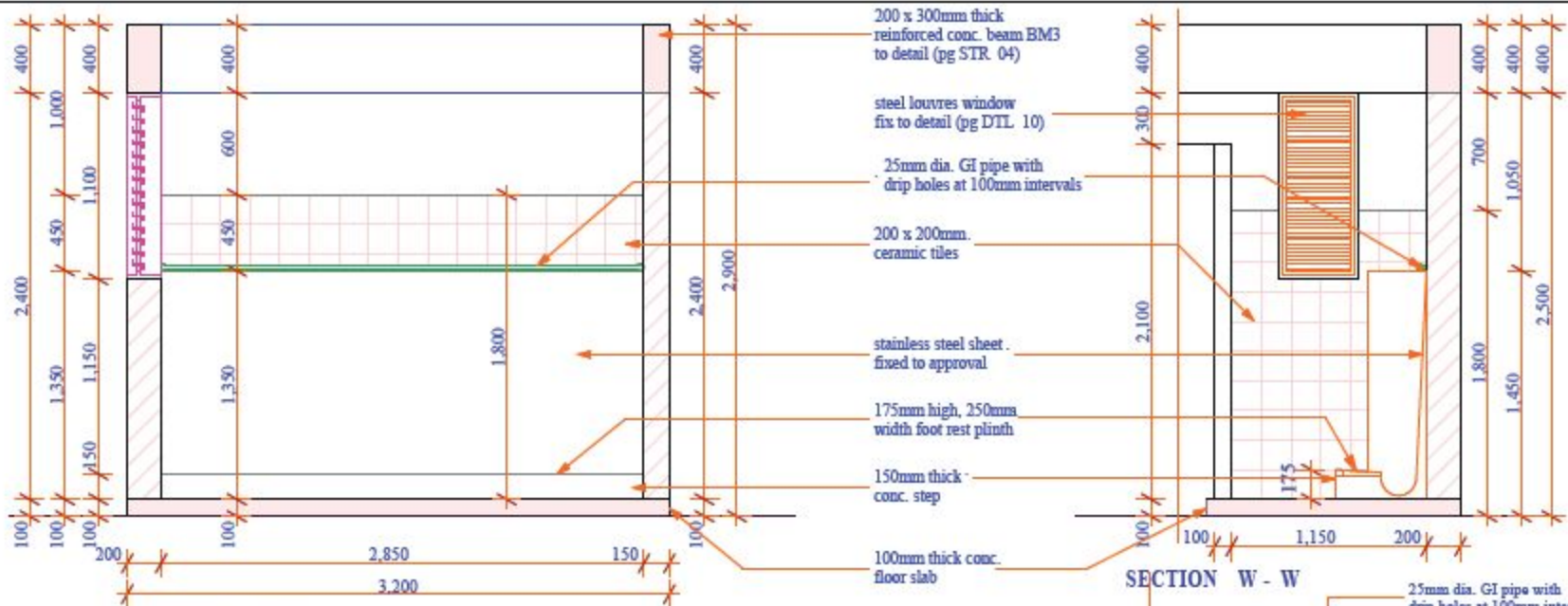
Scale

page 7

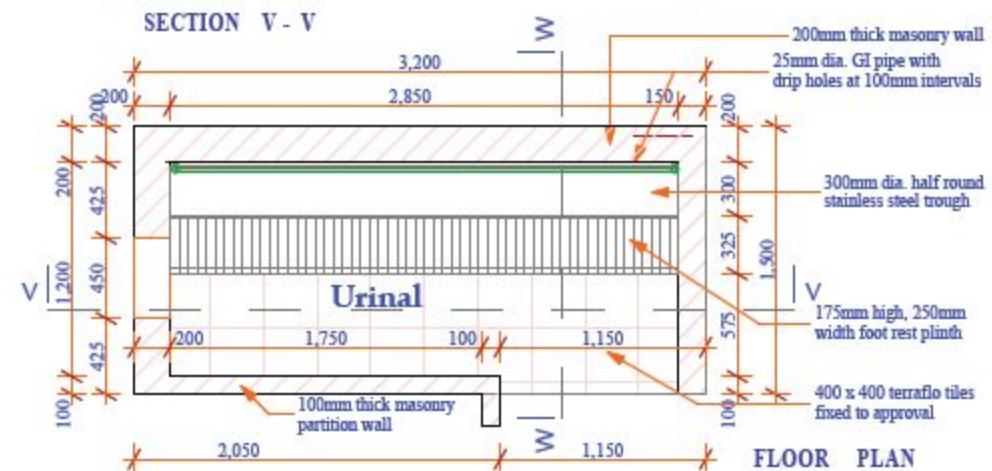
DETAILS

TABLE OF CONTENTS

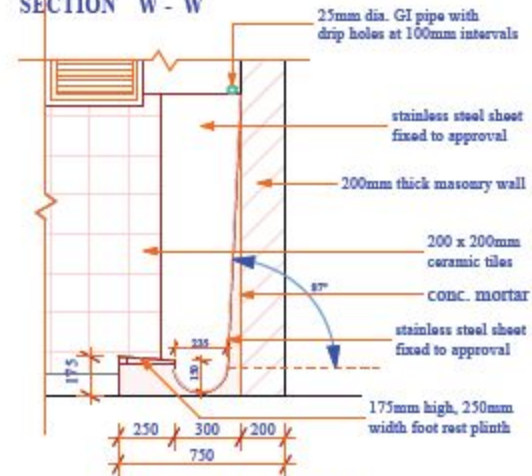
No.	Dwg. Title	Dwg. No.	Page
1	Urinal Details	DTL - 01	1
2	Wash Hand Basin	DTL - 02	2
3	Disabled / Operator's	DTL - 03	3
4	WC (ladies & gents)	DTL - 04	4
5	Shower detail (ladies)	DTL - 05	5
6	Shower detail (Gents)	DTL - 06	6
7	Store Details	DTL - 07	7
8	Veranda Detail	DTL - 08	8
9	Door Schedules	DTL - 09	9
10	Window Schedules	DTL - 10	10
11	Steel Roof Details	DTL - 11	11
12	Steel Roof Connection	DTL - 12	12
13	IC & GT Details	DTL - 13	13
14	Health Education Posters	DTL - 14	14



SECTION W - W



SECTION V - V



DETAIL ACROSS URINAL

FLOOR PLAN

Project Title:
PUBLIC SANITATION BLOCK

Client:
WATER SERVICES TRUST FUND (WSTF)

Drawing Title:
URINAL DETAILS

Drawing No.:
DTL 01

Designed By:
Edward Kong's
Eden Mei

Drawn By:
Edward K. Kong's

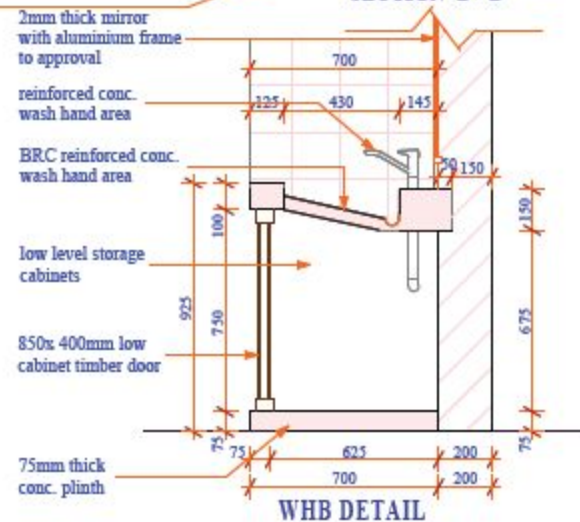
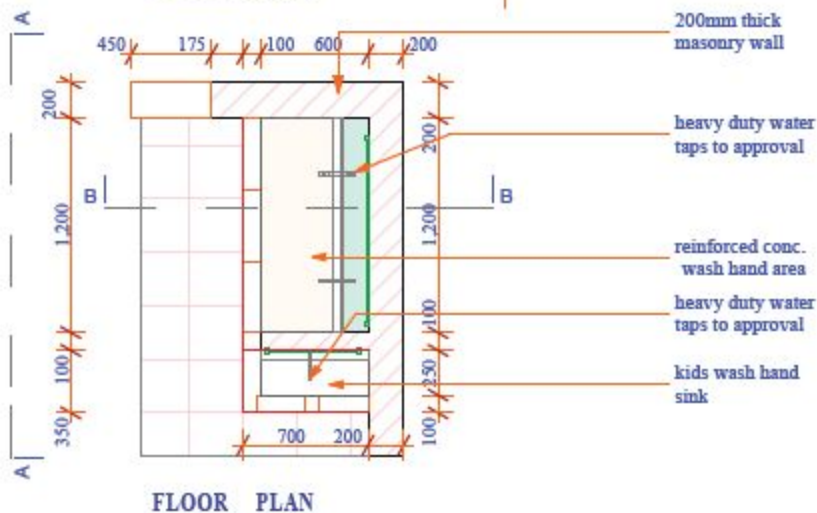
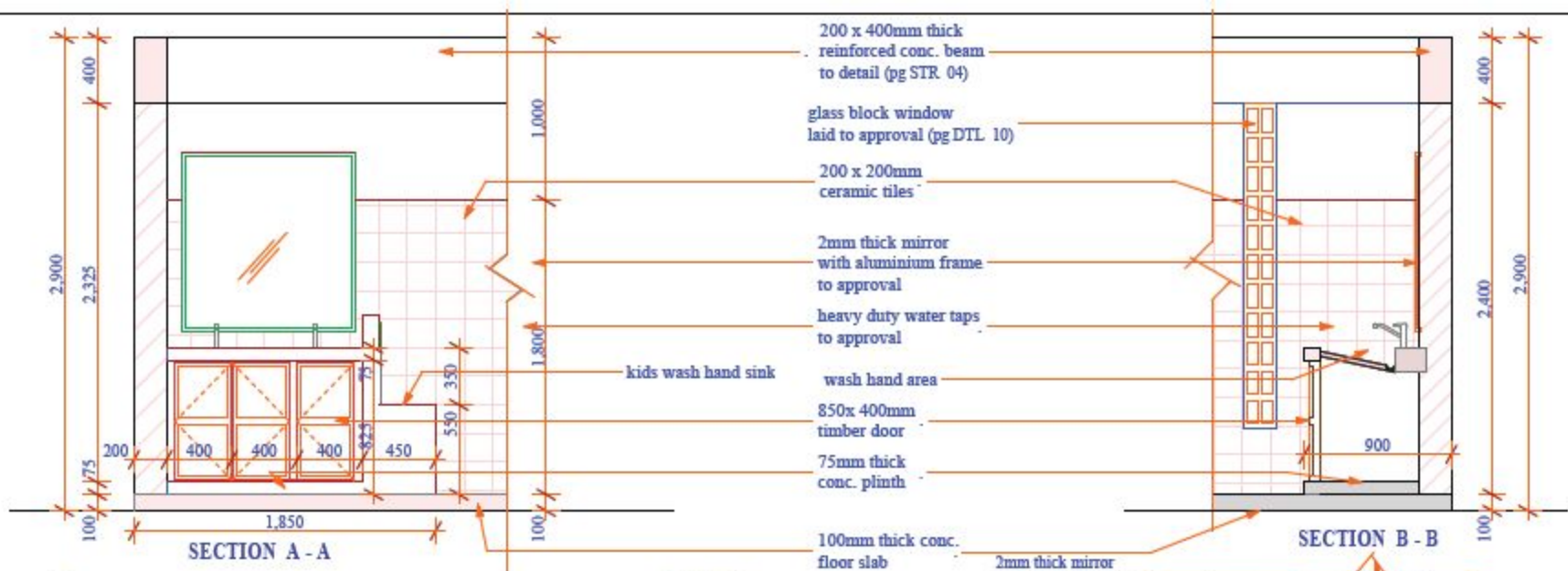
Checked By:
John Orwa

Approved by:
CEO - Water Services Trust Fund

Signature: _____

Scale: 1 : 25

page: 1



Project Title:
PUBLIC SANITATION BLOCK



Client:



WATER SERVICES
TRUST FUND (WSTF)

Drawing Title

WASH HAND BASIN
DETAILS

Drawing No.

DTL 02

Designed By:

Edward Kwang'a
Edon Muti

Drawn By:

Edward K. Kwang'a

Checked By:

John Orwa

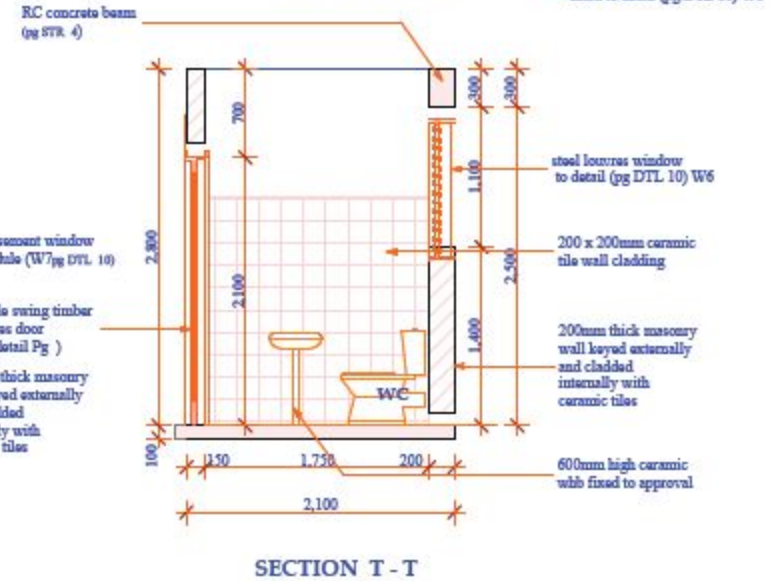
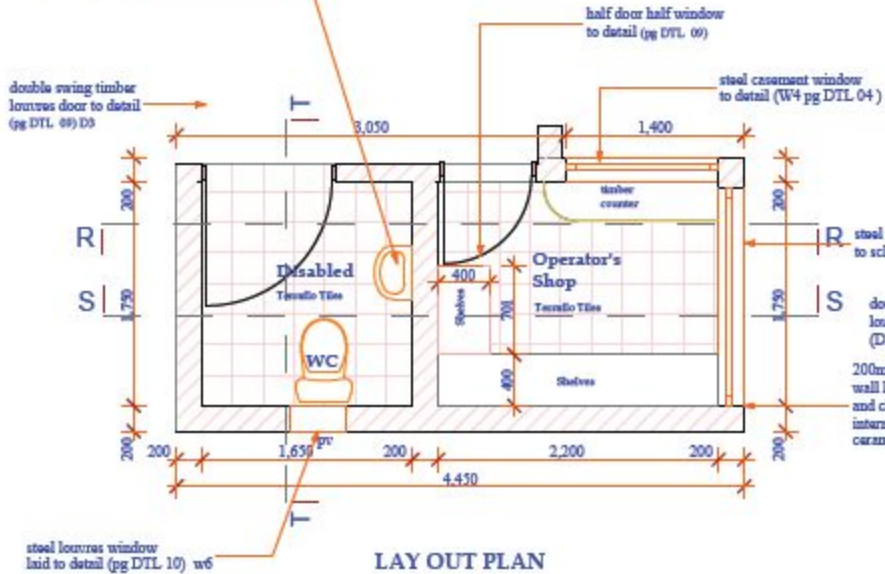
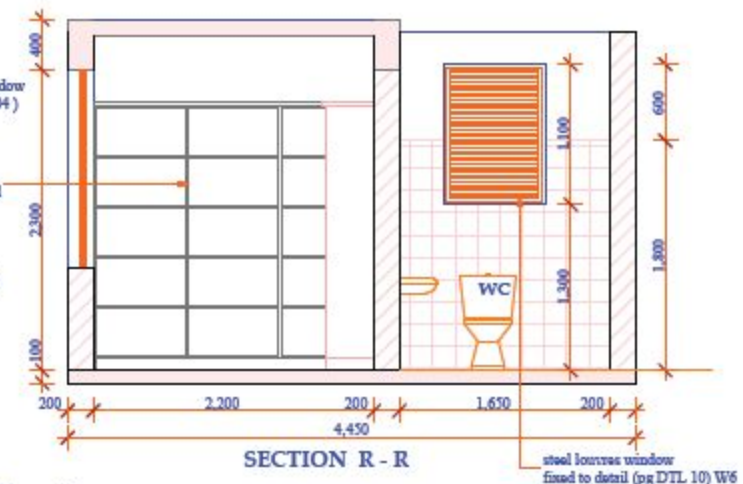
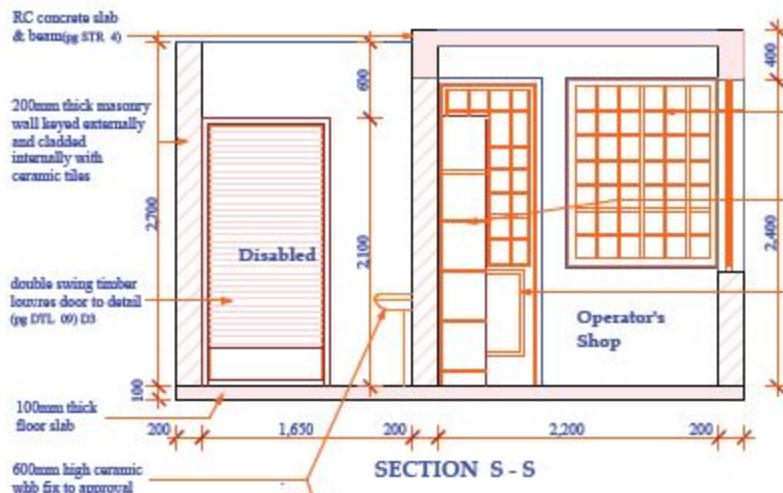
Approved by:

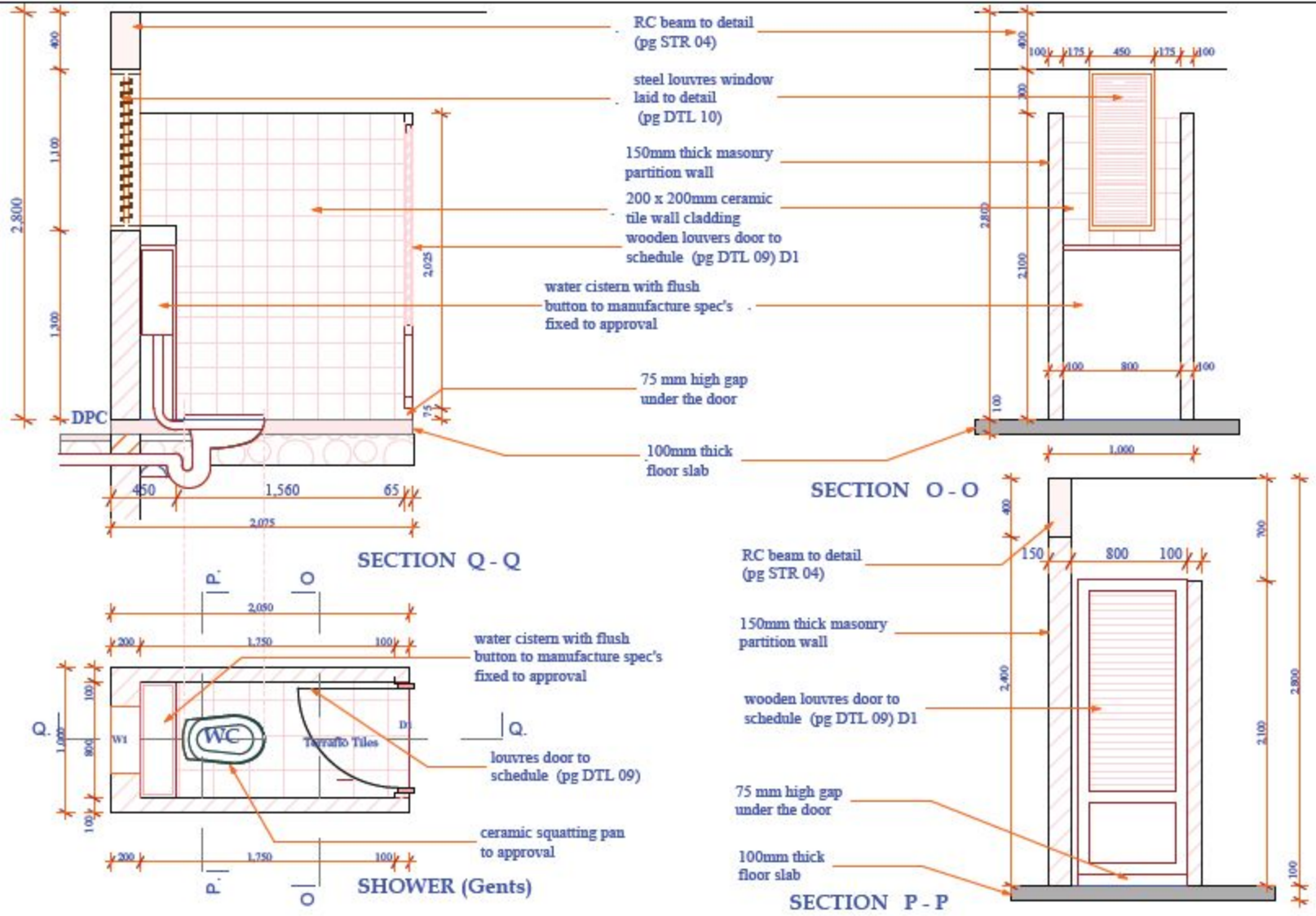
CEO - Water Services Trust Fund

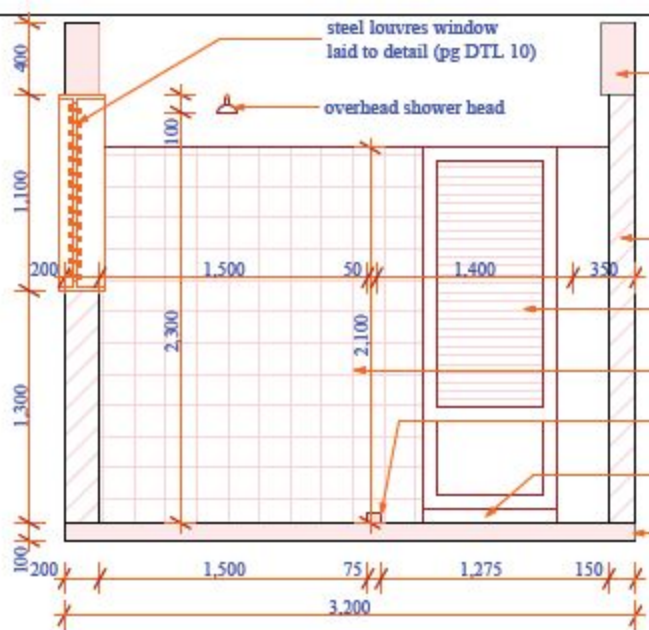
Signature.....

Scale 1 : 25

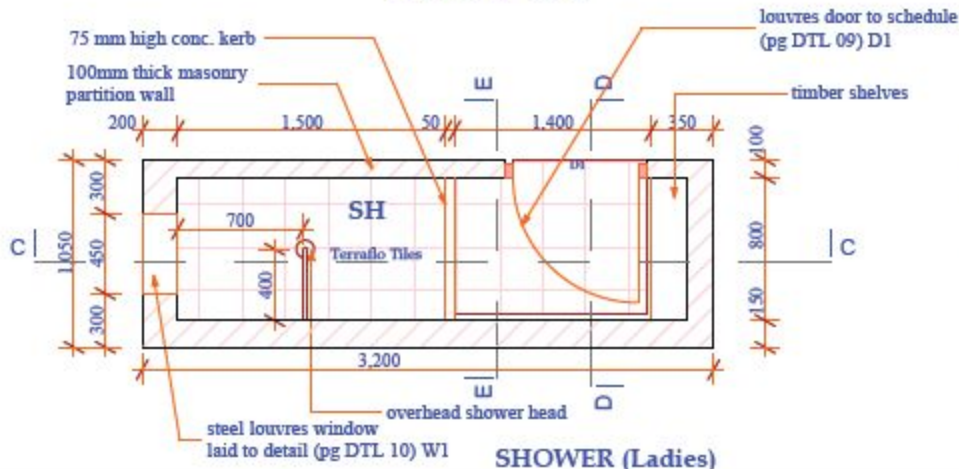
page 2



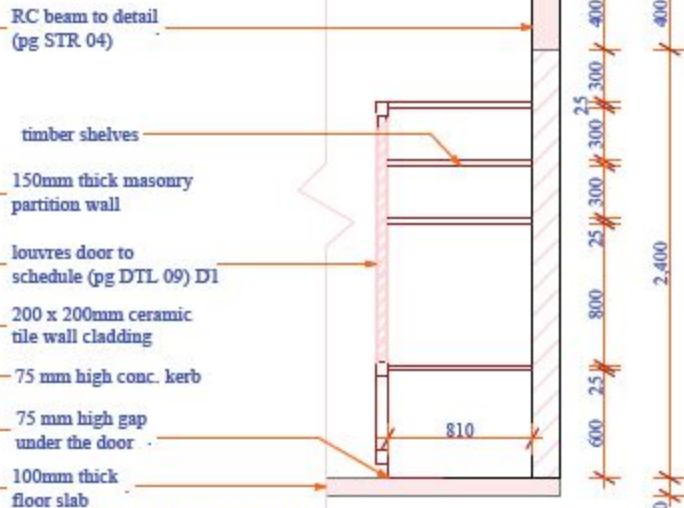




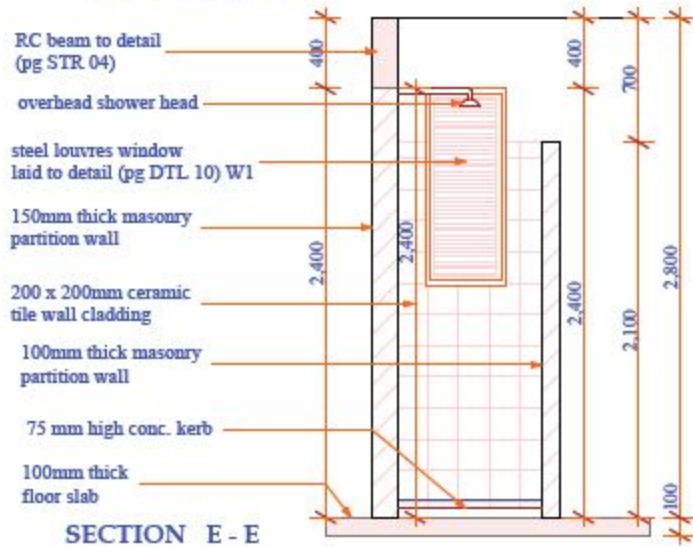
SECTION C - C



SHOWER (Ladies)



SECTION D - D



SECTION E - E

Project Title:
PUBLIC SANITATION BLOCK



Client:
WATER SERVICES TRUST FUND (WSTF)



Drawing Title
LADIES SHOWER
DETAIL

Drawing No.
DTL 05

Designed By:
Edward Kong's
Eden Mall

Drawn By:
Edward K. Kong's

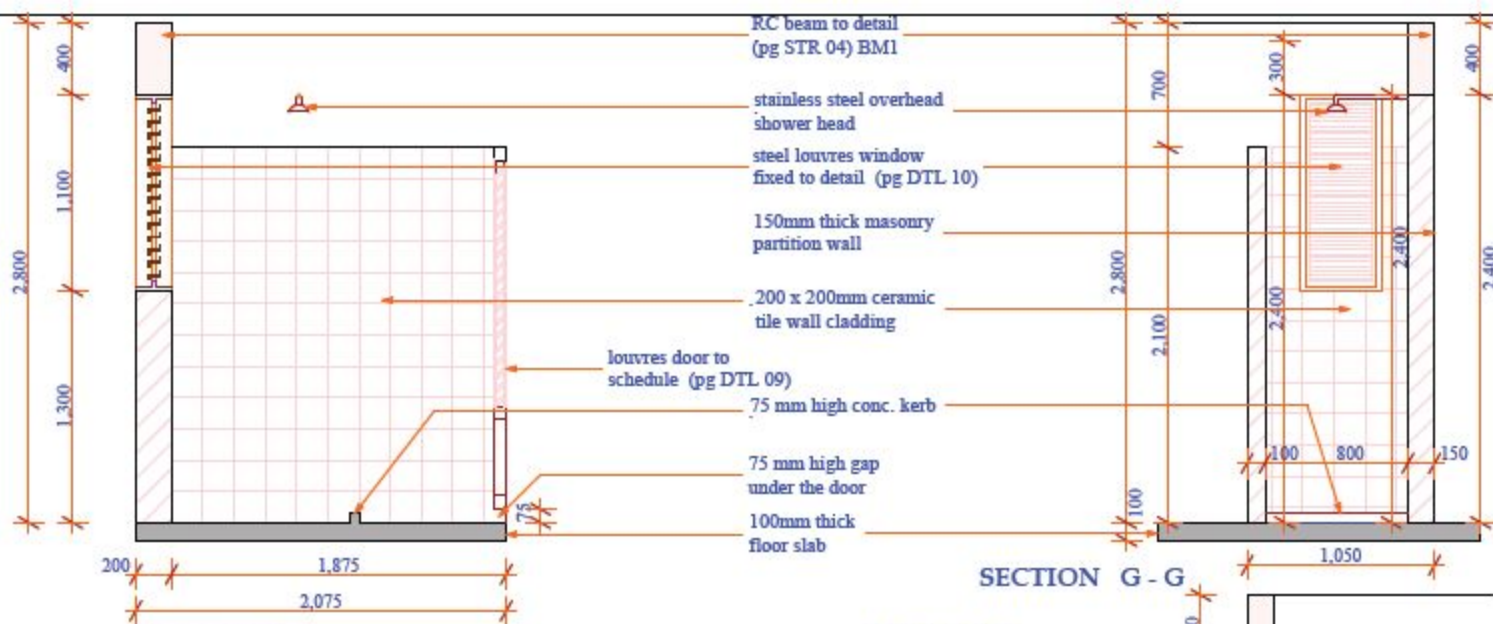
Checked By:
Johns Crwa

Approved by:
CEO - Water Services Trust Fund

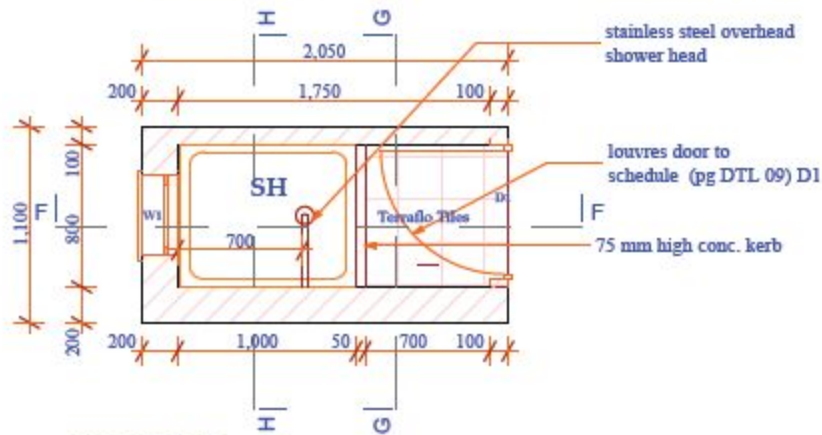
Signature.....

Scale 1 : 25

Page 5

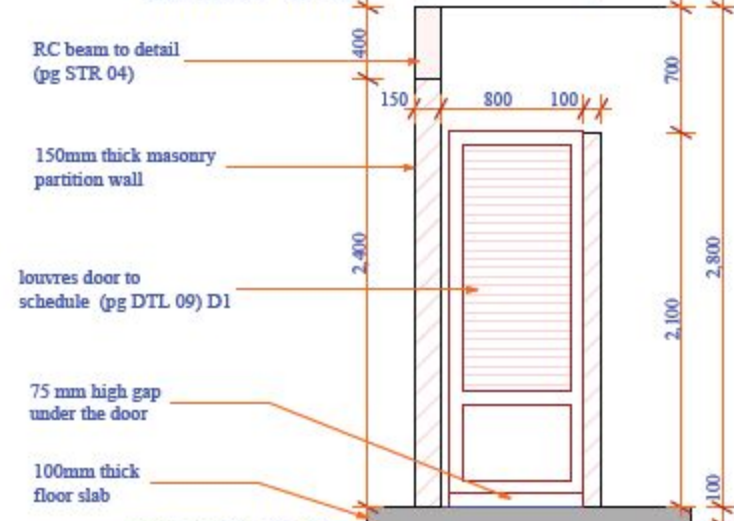


SECTION F - F

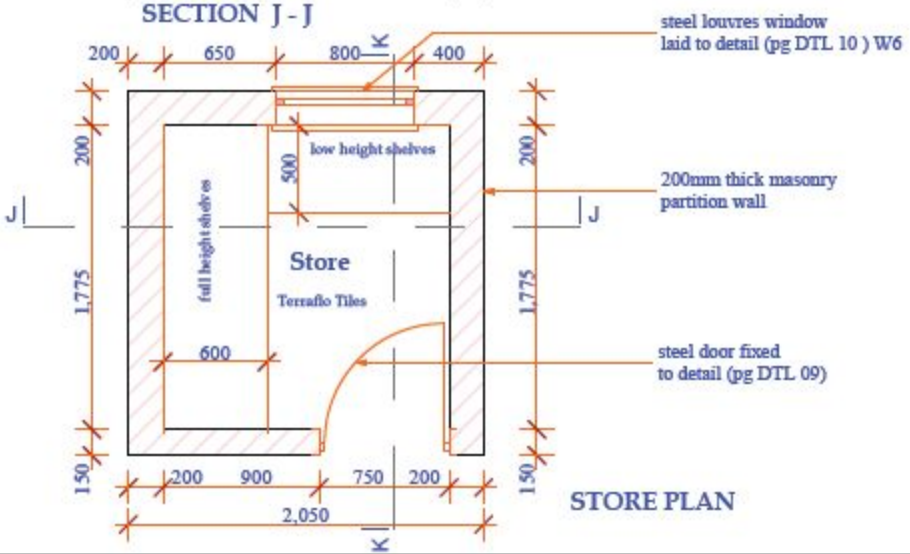
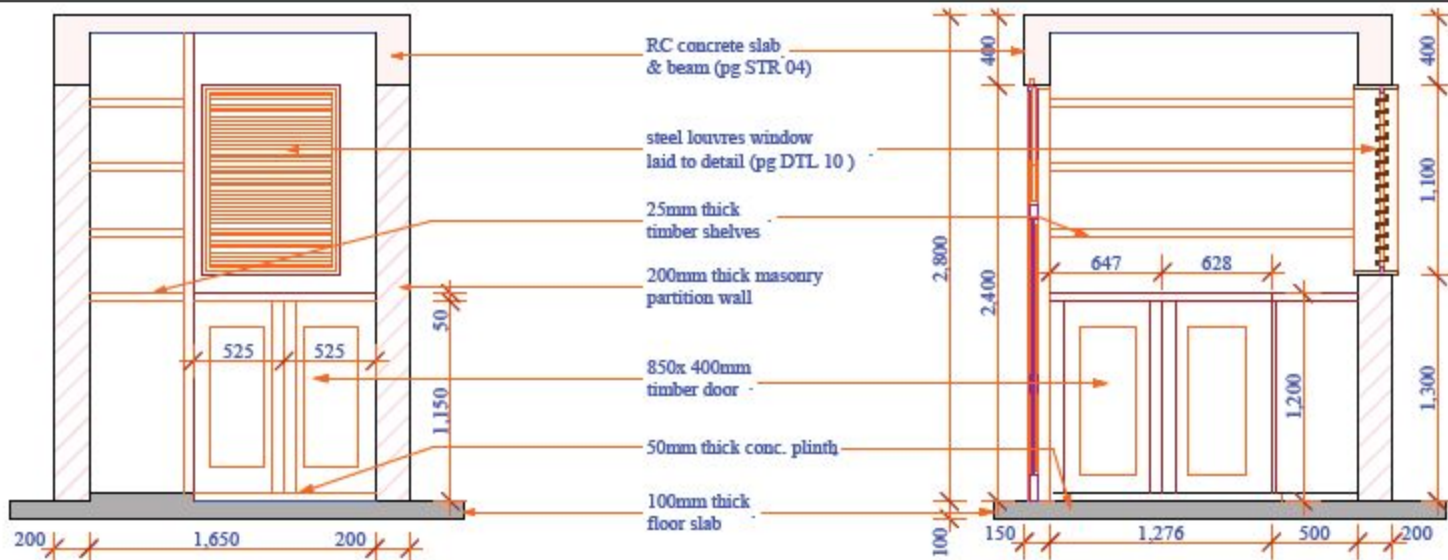


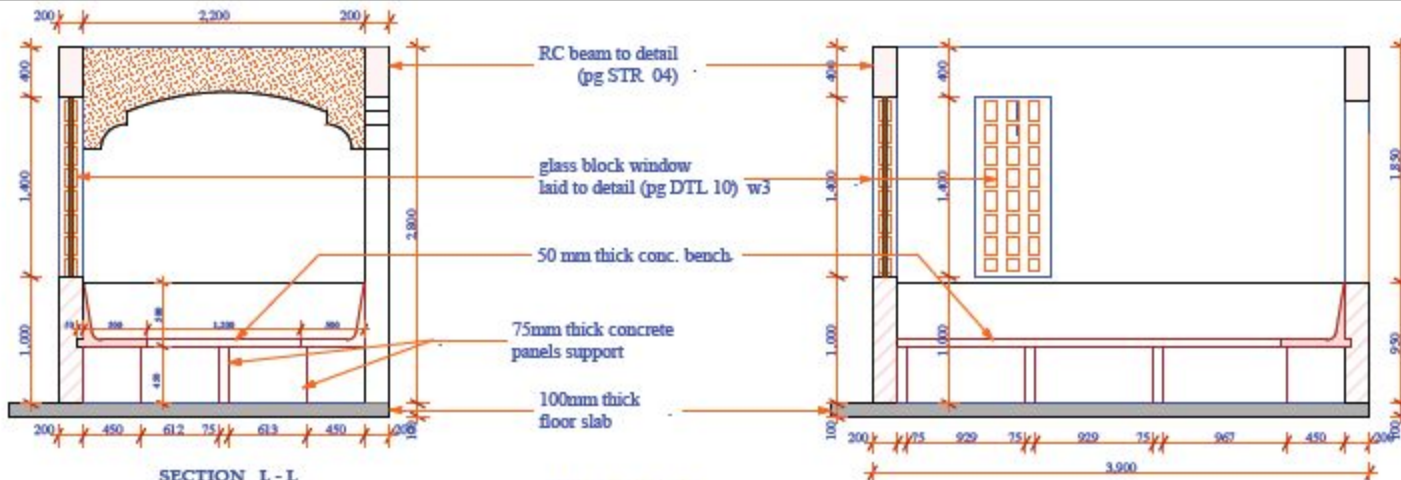
SHOWER (Gents)

SECTION G - G



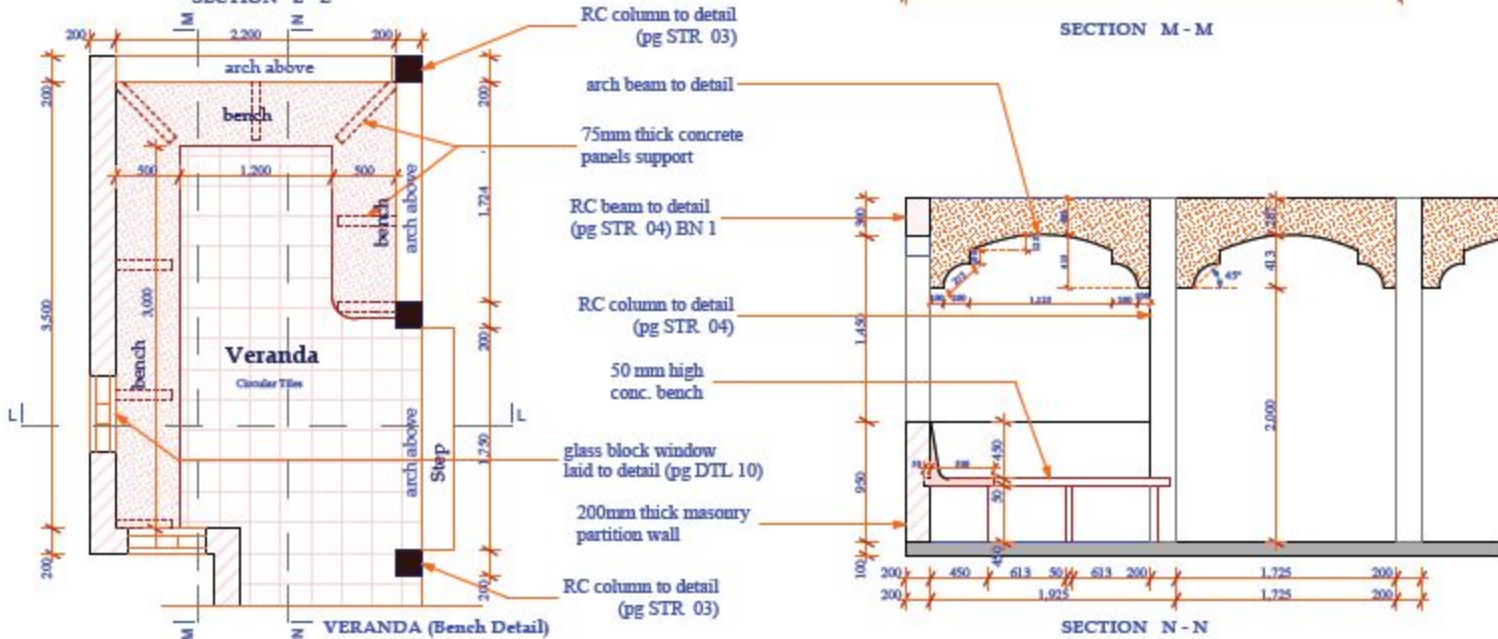
SECTION H - H





SECTION L - L

SECTION M - M



RC column to detail (pg STR 03)

arch beam to detail

75mm thick concrete panels support

RC beam to detail (pg STR 04) BN 1

RC column to detail (pg STR 04)

50 mm high conc. bench

glass block window laid to detail (pg DTL 10)

200mm thick masonry partition wall

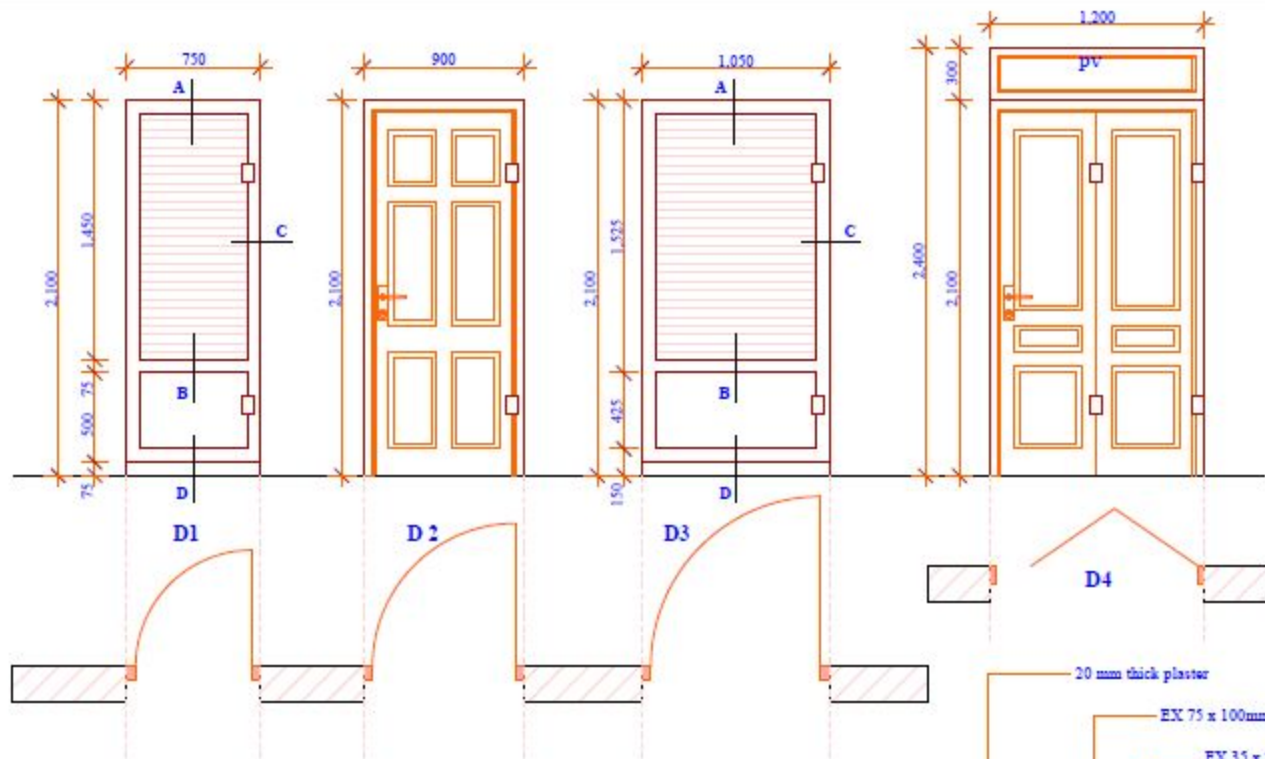
RC column to detail (pg STR 03)

Veranda

Circular Tile

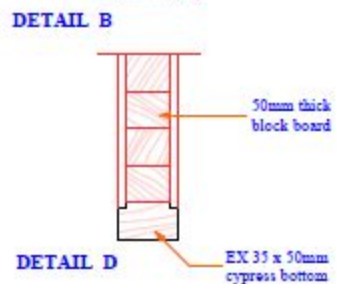
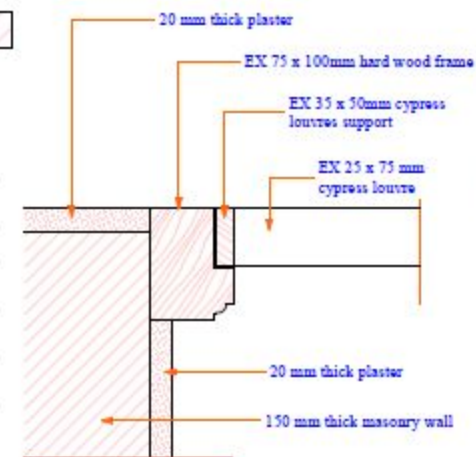
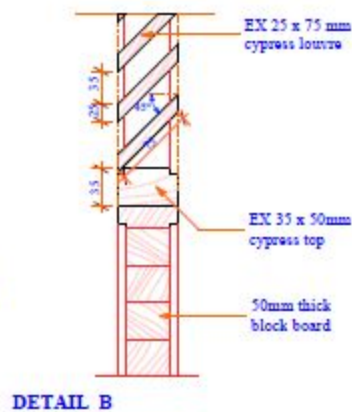
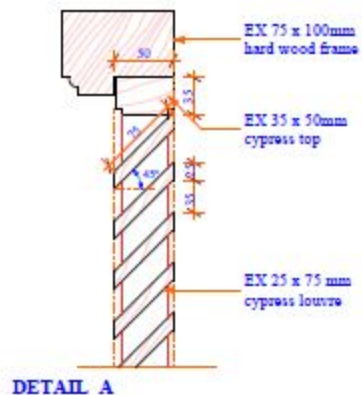
VERANDA (Bench Detail)

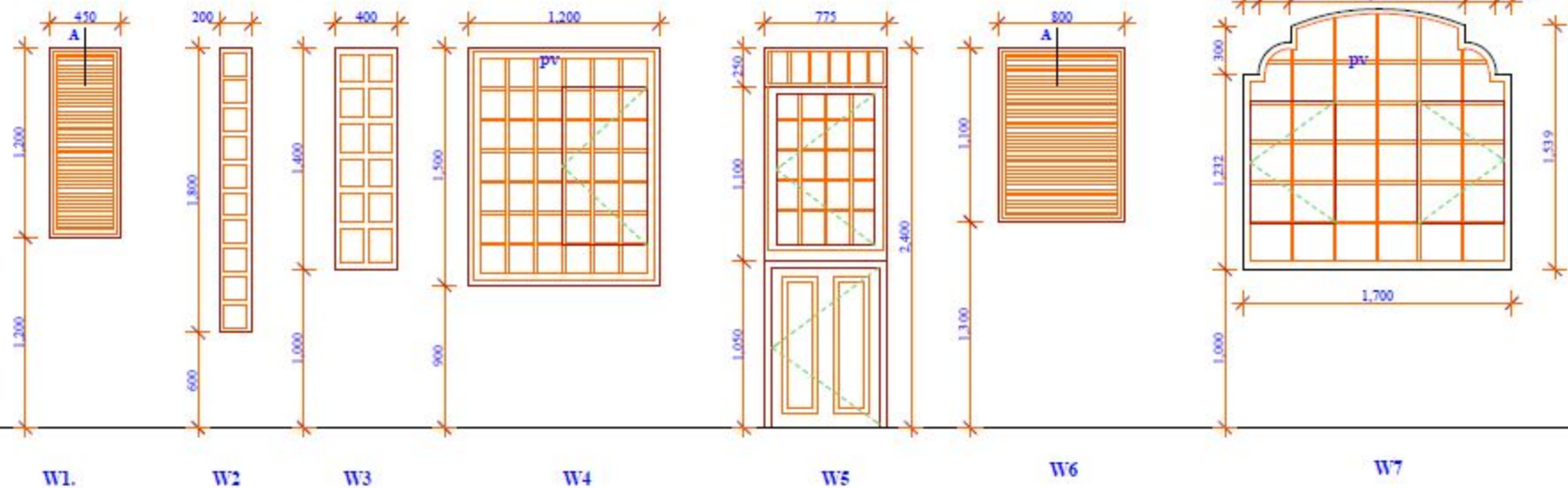
SECTION N - N



DOOR SCHEDULE

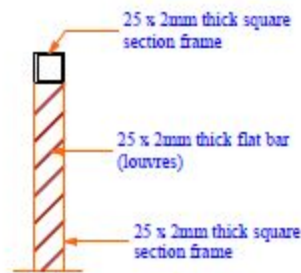
DOOR No.	LOCATION	SIZE APPLIC.(mm)	NO. REQUIRED	FRAME	HINGES	LOCKS	PAINT	PV
1	WC / Shower	750 x 2100	7	Wooden	1 pair each	1	Both sides	Non
2	Store	900 x 2100	1	Steel	1 pair	1	Both sides	Yes
3	Disabled	1050 x 2100	1	Wooden	1 pair	1	Both sides	Non
4	Entrance	1200 x 2400	1	Steel folding	2 pair	1	Both sides	Yes





WINDOW SCHEDULE

DOOR No.	LOCATION	SIZE APPLIC.(mm)	NO. REQUIRED	TYPE	FRAME	HINGES	LOCKS	PAINT	PV
1	WC / Shower	450 x 1200	8	Steel louvres	Steel	Non	Non	Both sides	Non
2	Ladies & Gents	200 x 1800	2	Glass block	Non	Non	Non	Non	Non
3	Veranda	1050 x 2100	2	Glass block	Non	Non	Non	Non	Non
4	Operator	1200 x 1500	1	Steel casement	Steel	Non	Non	both sides	Yes
5	Operator	775 x 2400	1	Steel casement	Steel	1 pair	1	both sides	Yes
6	Disabled / Store	775 x 1200	2	Steel louvres	Steel	Non	Non	both sides	Non
7	Operator	1500 x 1700	1	Steel casement	Steel	2 pair	Non	both sides	Yes



DETAIL A

Project Title:

PUBLIC SANITATION BLOCK



Client:



WATER SERVICES TRUST FUND (WSTF)

Drawing Title

WINDOW DETAILS & SCHEDULES

Drawing No.

DTL 10

Designed By:

Edward Kuang's
Eden Mall

Drawn By:

Edward K. Kuang's

Checked By:

John Owa

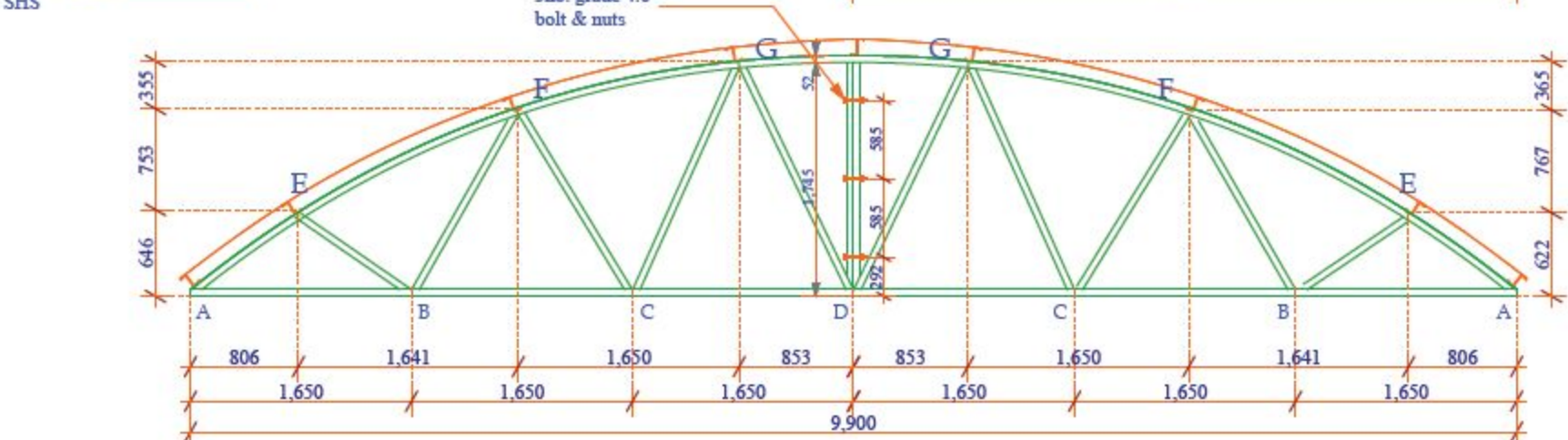
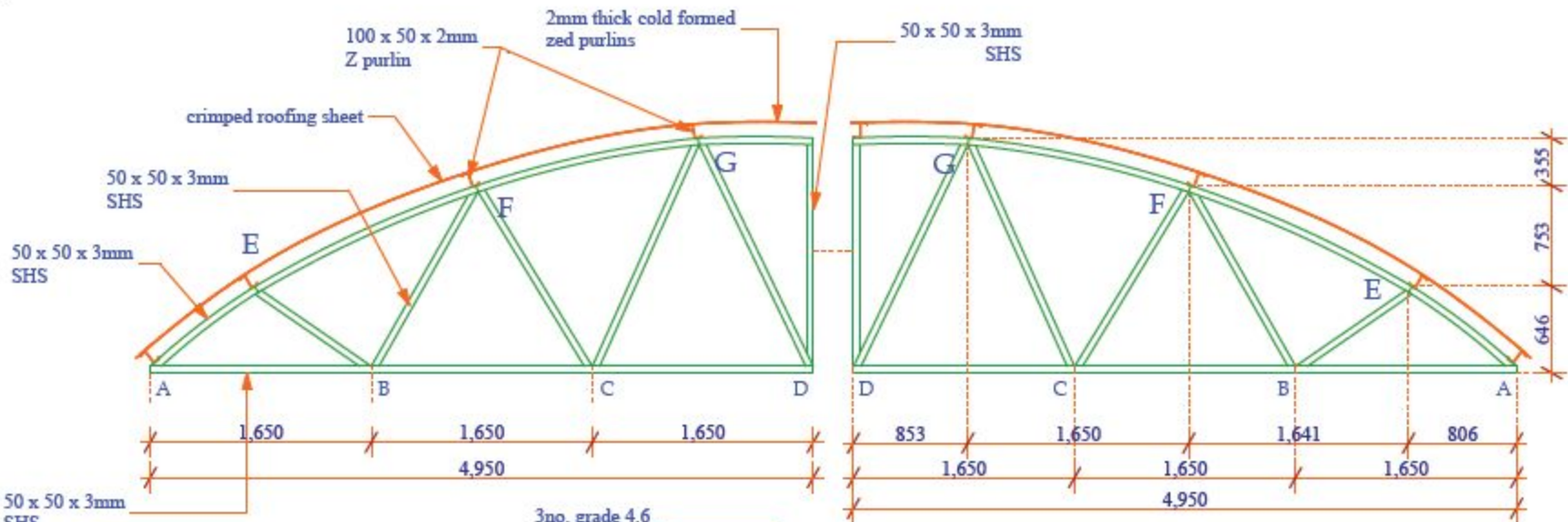
Approved by:

CEO - Water Services Trust Fund

Signature:.....

Scale 1 : 25

page 10



STEEL TRUSS DETAILS

Project Title:
PUBLIC SANITATION BLOCK

Client:
WATER SERVICES TRUST FUND (WSTF)

Drawing Title:
STEEL TRUSS DETAIL

Drawing No.:
DTL 11

Designed By:
Edward Kiang's
Eden Matl

Drawn By:
Edward K. Kiang's

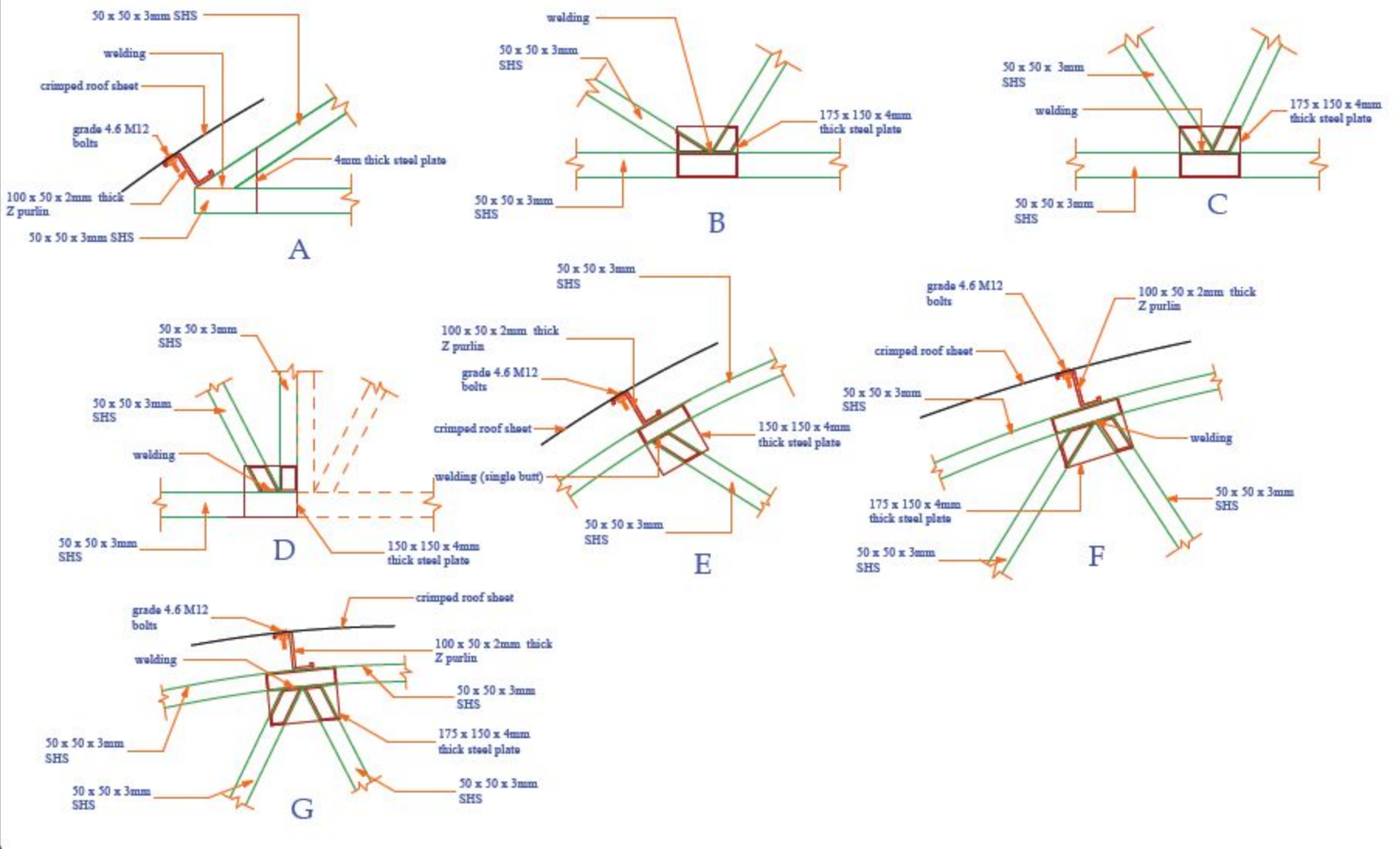
Checked By:
John Orwa

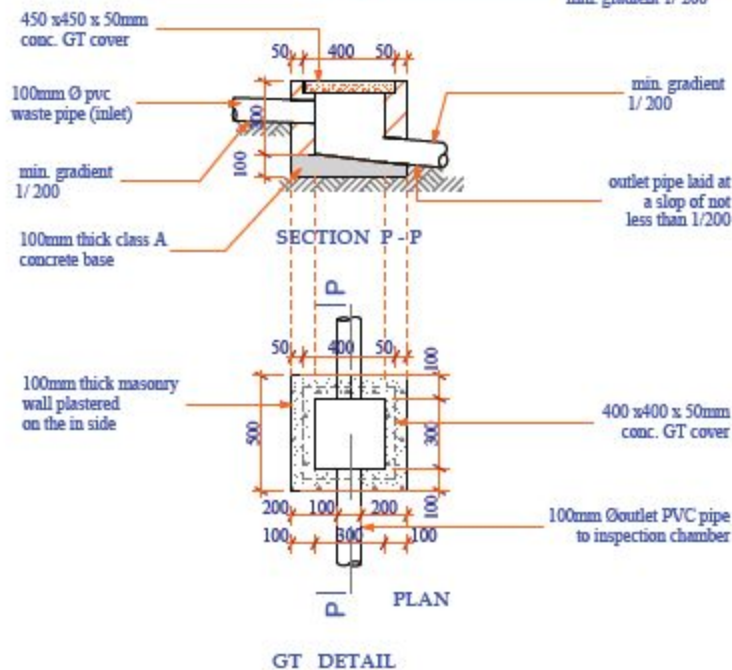
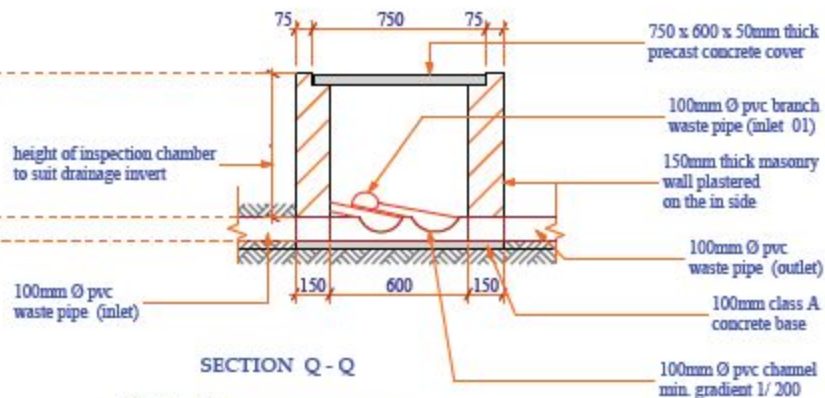
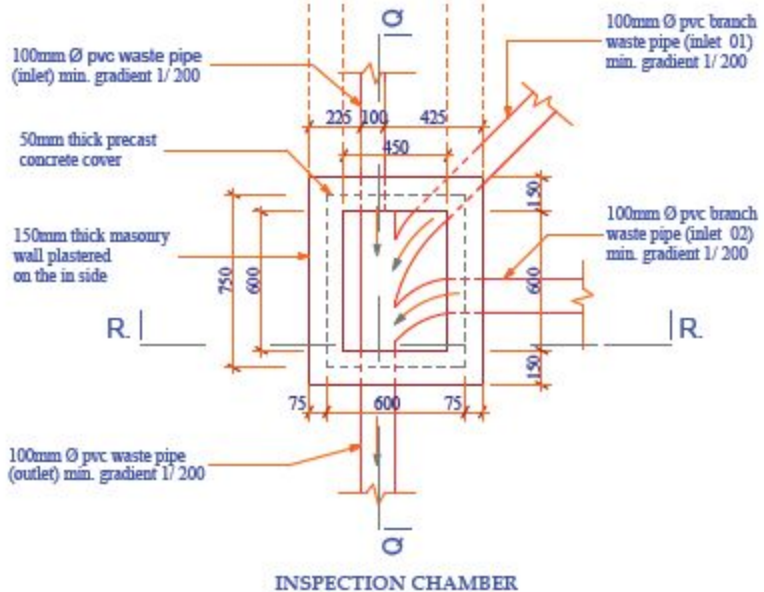
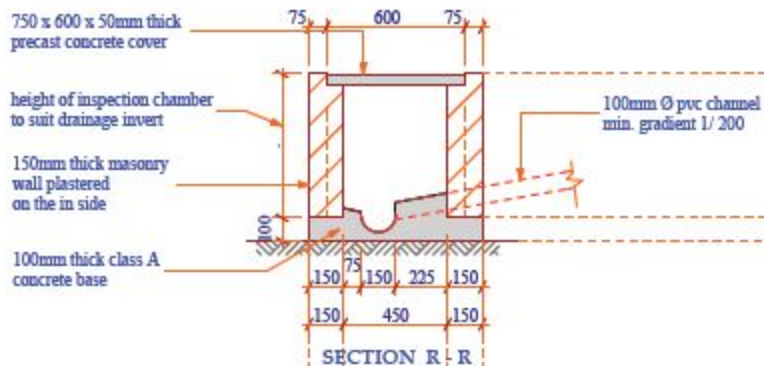
Approved by:
CEO - Water Services Trust Fund

Signature: _____

Scale: 1 : 25

Page: 11





Project Title:
PUBLIC SANITATION BLOCK



Client:



WATER SERVICES
TRUST FUND (WSTF)

Drawing Title
IC & GT DETAILS

Drawing No.
DTL 13

Designed By:
Edward Kung'a
Eden Muti

Drawn By:
Edward K. Kung'a

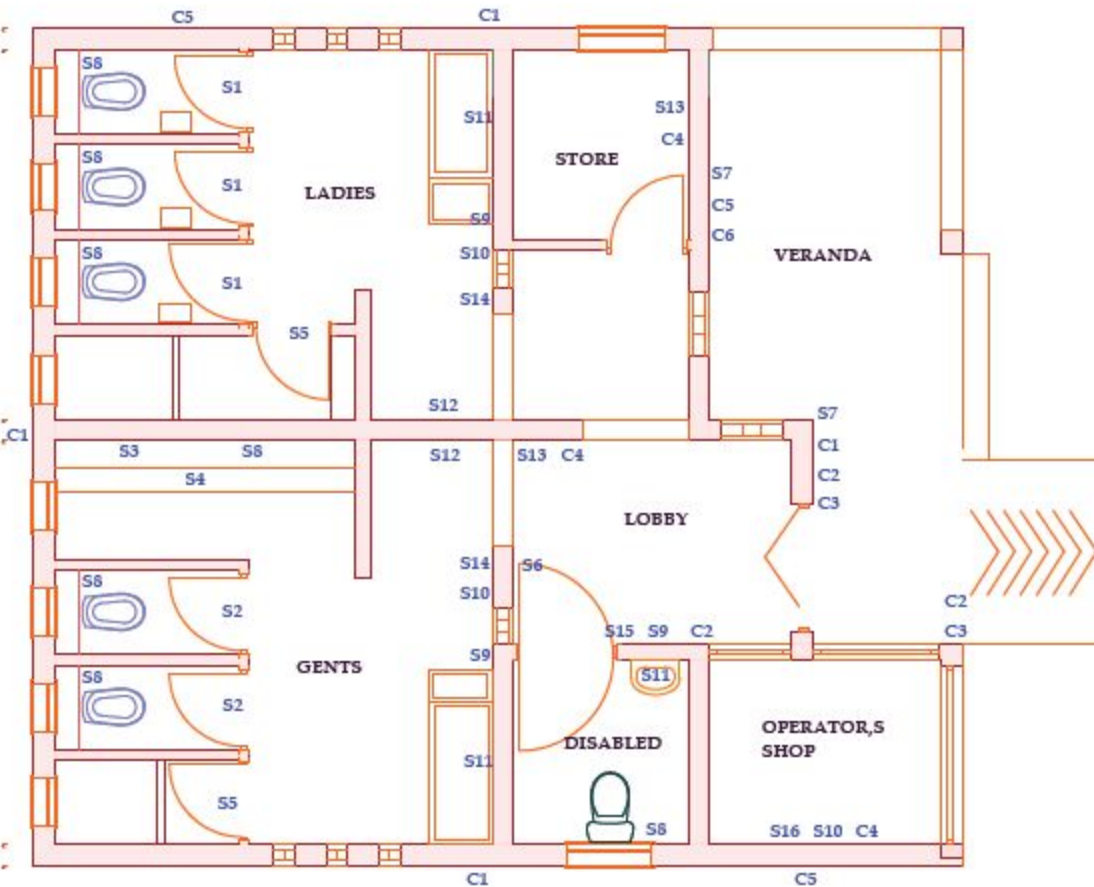
Checked By:
John Orwa

Approved by:
CED - Water Services Trust Fund

Signature:

Scale 1 : 10

page 13



Standardized (see Annex in Toolkit):

The following material is provided by the WSTF to the WSP to equip the public sanitation facilities with the following information (bilingual in English and Kiswahili):

- S1: Poster (A3): Clean toilet ladies
- S2: Poster (A3): Clean toilet gents
- S3: Poster (A3): Clean urinal
- S4: Sticker: Fly sticker
- S5: Poster (A3): Clean shower
- S6: Poster (A2): PSF rules
- S7: Poster (A2): Veranda rules
- S8: Poster or durable plastic (A5): Flush reminder
- S9: Poster (A2): Health education
- S10: Poster (A2): HIV / Aids education
- S11: Poster (A2): Hand wash
- S12: Poster (A4): Hand wash reminder
- S13: Form (A3): Inspection board
- S14: Dispenser for Condoms
- S15: Complaints Box (for Feedback)
- S16: Poster (A3): Clean nappy room)

Customized:

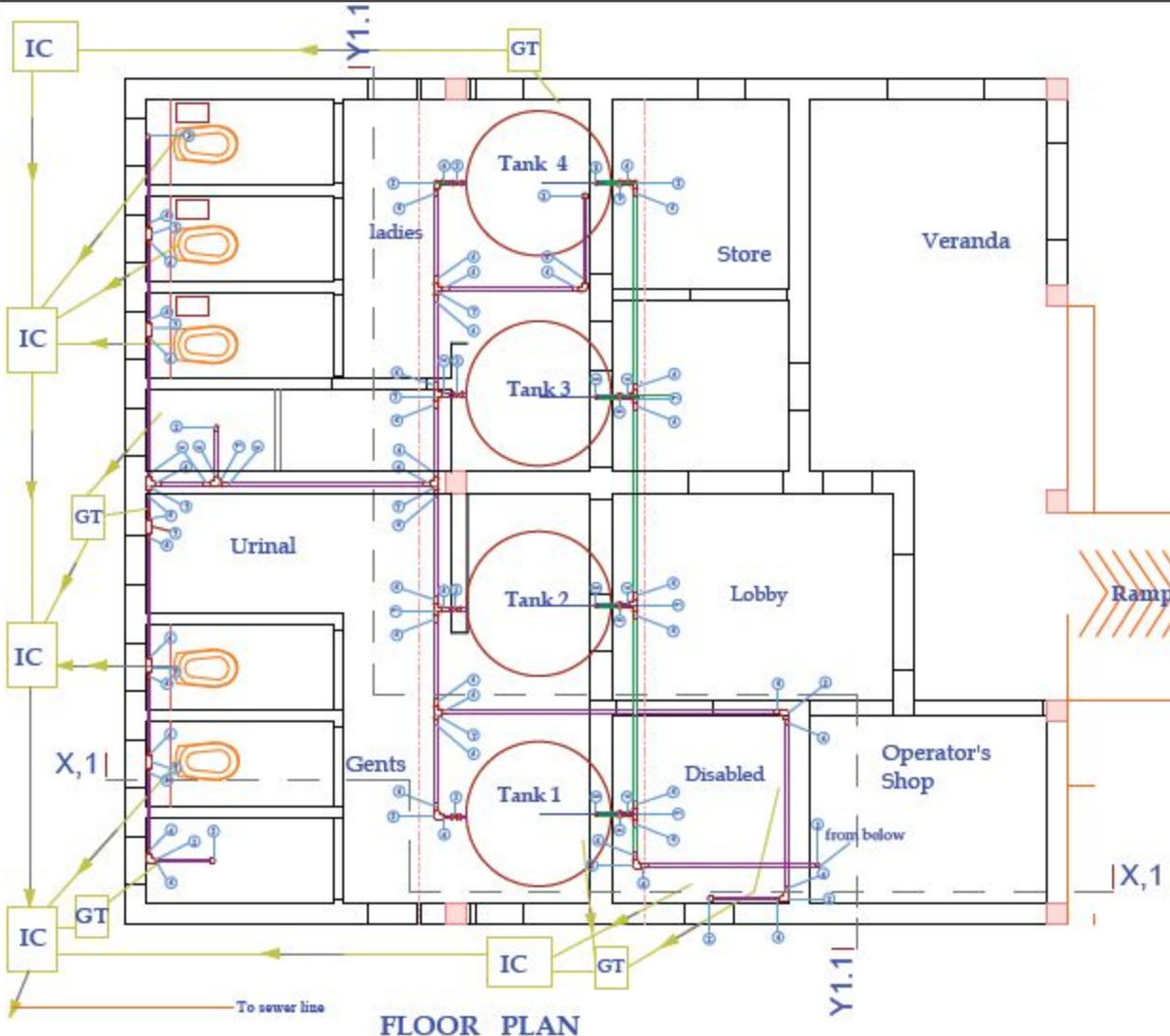
The following material has to be customized to the facility. It can be either printed out or painted on the walls of the PSF. If painted, size of the information can be adapted to the wall size.

- C1: Poster (A2): Introduction on the PSF and on technology installed
- C2: Poster (A3): Introduction of operator and his / her name and logo and customer care concept
- C3: Poster (A3): Information on tariff and business hours
- C4: Poster (A3): Recommendations for operators
- C5: Painting on HIV / Aids on the Veranda
- C6: Customized Rules for the Veranda

***PLUMBING &
ELECTRICAL
DRAWINGS***

TABLE OF CONTENTS

No.	Dwg. Title	Dwg. No.	Page
1	Plan	PLB - 01	01
2	Section X - X	PLB - 02	02
3	Section Y - Y	PLB - 03	03
4	Electrical Layout	ELC - 01	04



LEGEND

- 3/4 supply pipe
- 1" inlets pipe
- waste water pipe

ITEM NO.	DESCRIPTION (All 25mm dia.)	UNITS	QTY
1	Galvanized Iron Union	No.	1
2	Galvanized Iron Elbow	No.	16
3	Galvanized Iron Gate Valve (Pegler)	No.	5
4	Galvanized Iron Nipples	No.	52
5	Water Meter	No.	1
6	Non Return Valve	No.	1
7	Galvanized Iron Equal Tee	No.	15
8	Galvanized Iron Bend	No.	4
9	Ball Cock Water Tap	No.	6
10	Galvanized Iron Long Thread Nipple	No.	4
11	Galvanized Iron Black Nut	No.	8
12	Galvanized Iron Class B Pipe (6m)	No.	8
13	Boss White (400)	No.	4
14	Hemp Thread	LM	5
15	Floating valve	No.	4
15	Shower heads	No.	2

FLOOR PLAN

Project Title:
PUBLIC SANITATION BLOCK

Client:
WATER SERVICES TRUST FUND (WSTF)

Drawing Title:
PLUMBING PLAN

Drawing No.:
FLD 1

Designed By:
Edward K. Kang'u
Eden Mall

Drawn By:
Edward K. Kang'u

Checked By:
John Orwa

Approved by:
CEO - Water Services Trust Fund

Signature: _____

Scale: 1 : 50

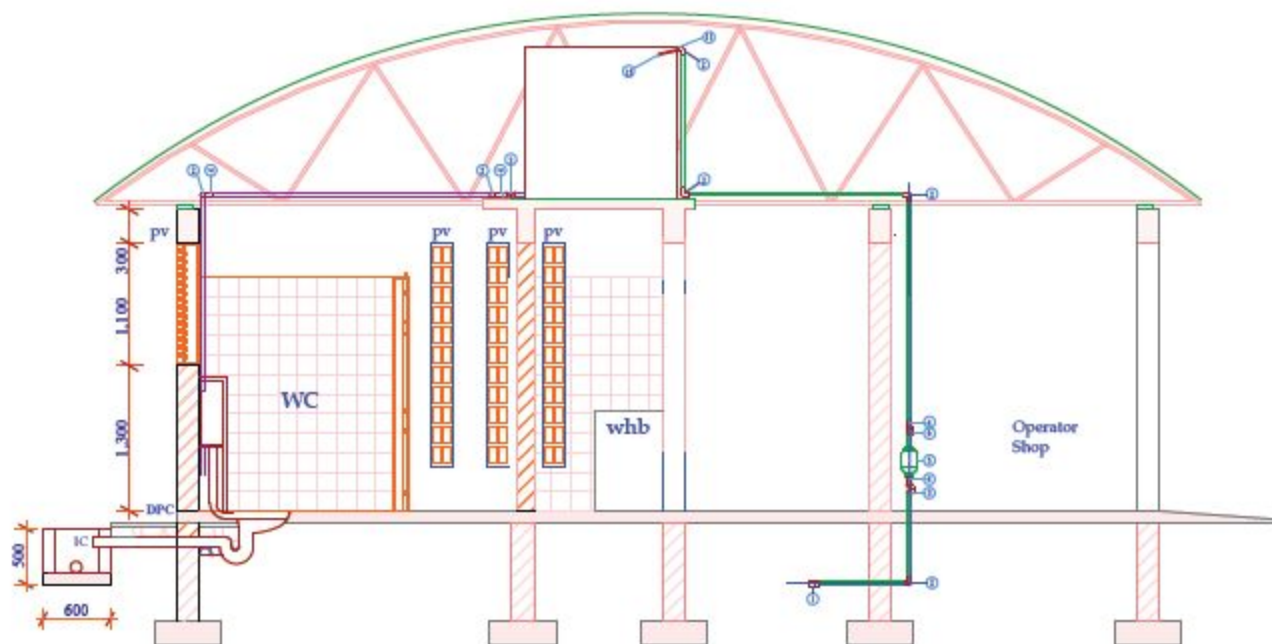
page: 1

LEGEND

==== 3/4 supply pipe

==== 1" inlets pipe

==== waste water pipe



SECTION XI - XI

ITEM NO.	DESCRIPTION (All 25mm dia.)	UNITS	QTY
1	Galvanized Iron Union	No.	1
2	Galvanized Iron Elbow	No.	16
3	Galvanized Iron Gate Valve (Pegler)	No.	5
4	Galvanized Iron Nipples	No.	52
5	Water Meter	No.	1
6	Non Return Valve	No.	1
7	Galvanized Iron Equal Tee	No.	15
8	Galvanized Iron Bend	No.	4
9	Ball Cock Water Tap	No.	6
10	Galvanized Iron Long Thread Nipple	No.	4
11	Galvanized Iron Black Nut	No.	8
12	Galvanized Iron Class B Pipe (6m)	No.	8
13	Boss White (400)	No.	4
14	Hemp Thread	LM	5
15	Floating valve	No.	4
15	Shower heads	No.	2

Project Title:

PUBLIC SANITATION BLOCK



Client:



WATER SERVICES
TRUST FUND (WSTF)

Drawing Title

PLUMBING
SECTION XI - XI

Drawing No.

PLS 2

Designed By:

Edward Kang'a
Eden Mall

Drawn By:

Edward K. Kang'a

Checked By:

John Orwa

Approved by:




CEO - Water Services Trust Fund

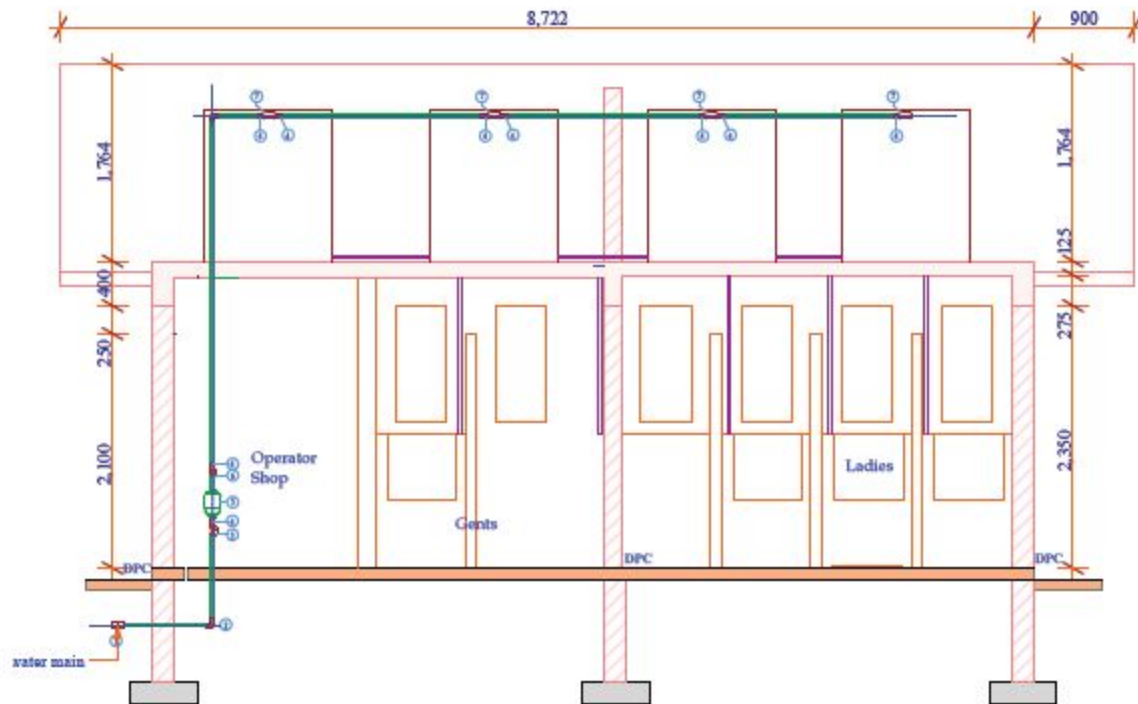
Signature:

Scale 1 : 50

page 2

LEGEND

	3/4 supply pipe
	1" inlets pipe
	waste water pipe



SECTION Y1.1 - Y1.1

ITEM NO.	DESCRIPTION (All 25mm dia.)	UNITS	QTY
1	Galvanized Iron Union	No.	1
2	Galvanized Iron Elbow	No.	16
3	Galvanized Iron Gate Valve (Pegler)	No.	5
4	Galvanized Iron Nipples	No.	52
5	Water Meter	No.	1
6	Non Return Valve	No.	1
7	Galvanized Iron Equal Tee	No.	15
8	Galvanized Iron Bend	No.	4
9	Ball Cock Water Tap	No.	6
10	Galvanized Iron Long Thread Nipple	No.	4
11	Galvanized Iron Black Nut	No.	8
12	Galvanized Iron Class B Pipe (6m)	No.	8
13	Boss White (400)	No.	4
14	Hemp Thread	LM	5
15	Floating valve	No.	4
15	Shower heads	No.	2

Project Title:

PUBLIC SANITATION BLOCK



Client:



WATER SERVICES TRUST FUND (WSTF)

Drawing Title

PLUMBING SECTION Y1.1 - Y1.1

Drawing No.

FLD 3

Designed By:

Edward Kung'u
Eden Mall

Drawn By:

Edward K. Kung'u

Checked By:

John Orwa

Approved by

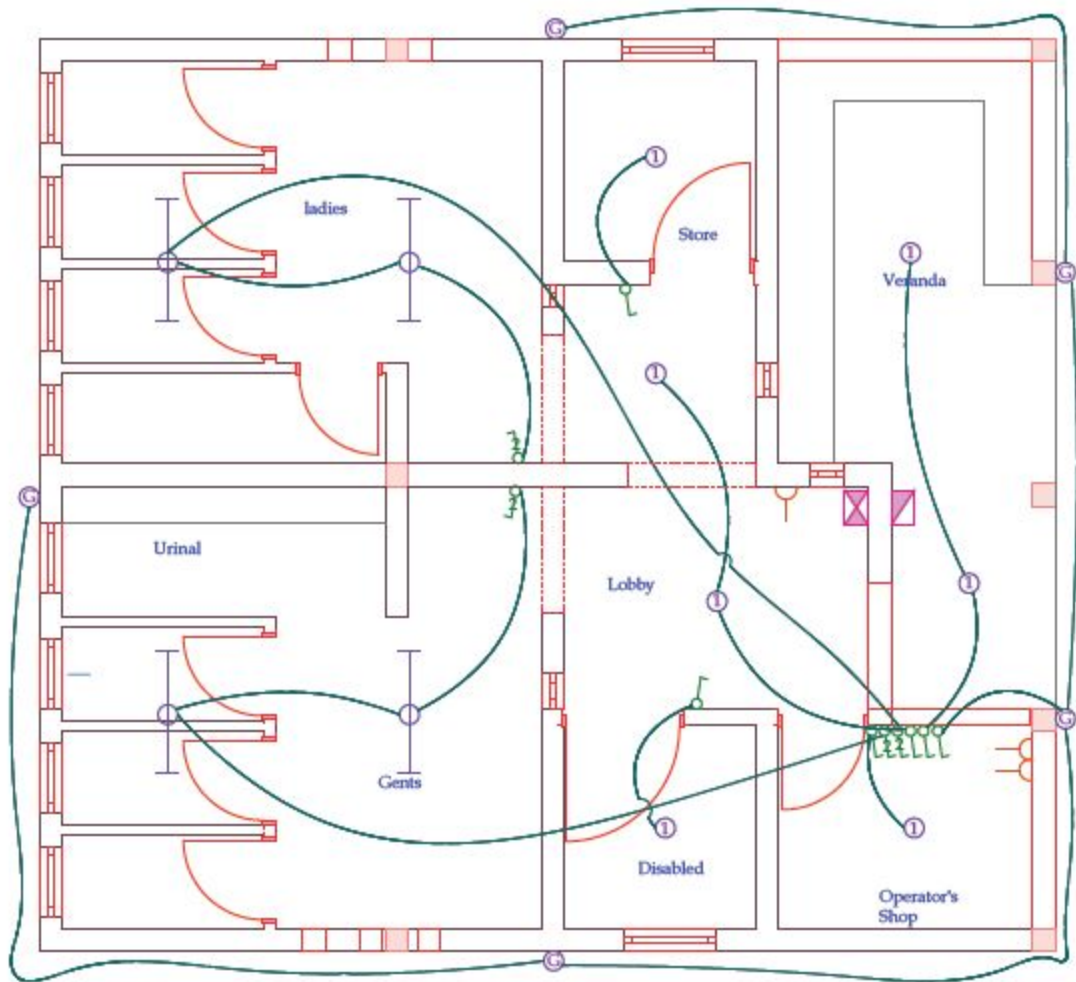
CEO - Water Services Trust Fund

Signature.....

Scale 1 : 50

page 3

SCHEDULE OF ELECTRICAL SYMBOLS



ELECTRICAL LAYOUT PLAN

SYMBOL	DESCRIPTION	MANUFACTURE	CAT NUMBER	MOUNT HEIGHT
	6AMP 1 gang 1 way lighting switch	Crabtree	4070	1400mm
	6AMP 2 gang 1 way lighting switch	Crabtree	4172	1400mm
	6AMP 2 gang 2 way lighting switch	Crabtree	4172	1400mm
	6AMP 3 gang 2 way lighting switch	Crabtree	4173	1400mm
	6AMP 1 gang 2 way lighting switch	Crabtree	4170	1400mm
	6AMP 1 gang intermediate lighting switch	Crabtree	4175	1400mm
	13AMP single switched socket outlet	Crabtree	4304	300/1400mm
	13AMP twin switched socket outlet	Crabtree	4306	300/1400mm
	Telephone/data outlet(RJ11/45 outlet)	Crabtree	---	300mm
	Television aerial outlet	Crabtree	---	300mm
	13AMP unswitched fused connection unit	Crabtree	4620/3	1400mm
	25AMP DP water heater switch	Crabtree	4015/31	1400mm
	45AMP DP cooker control unit	Crabtree	4520/31	1400mm
	Retractive bell	Crabtree	4096/13	1400mm
	230/250V domestic bell	Legrand	---	2100mm
	9x9x90mm 16 gauge adaptable box	---	---	300mm
	Electric fence controller	As specified	---	1800mm
	133x133x60mm steel box for burglar alarm bell	As specified	---	1800mm
	Consumer unit (ways as specified)	Crabtree	---	1800mm
	Distribution board	Crabtree	---	1800mm
	600x600x200mm 16 gauge meterboard	---	---	1800mm
	Pendant fitting comprising ceiling rose+lampholder	---	---	Ceiling
	Keele 40W candle wall fitting(brass finish)	Micromark	MM1854S	2100mm
	Luna triple duster spotlight(brass finish)	Micromark	MM7976	Ceiling
	1200mm 1x36W single fluorescent batten	Fitzgerald	---	2100mm
	1200mm 1x36W twin fluorescent batten	Fitzgerald	---	Ceiling
	100W tungsten bulkhead fitted with 14W BC type lamp	Thom	OLG100	Ceiling
	Two-bore polycarbonate with grey body and opal diffuser-corrosion and vandal resistant	Thom	2D00716	Ceiling
	Globe pedestal wall mounted lantern with textured black finish and opal glass	Micromark	MM4756	On Gate Pillar
	Globe 1m post top lantern textured black finish	Micromark	MM4757	1M A.F.P.L.
	2x60W Opal circular fitting	Measive	---	Ceiling
	1x60W Opal 1 lamp wall bracket	Measive	---	Ceiling
	White 6" Opal glass sphere ball fitting	Micromark	MM7931	Ceiling
	13W 307mm chaver strap light	RDL	---	1800mm
	13W 300mm alexator light	Fitzgerald	---	1800mm
	32AMP TP Metalclad Isolator	MEH	---	1400mm

Project Title:
PUBLIC SANITATION BLOCK

Client:
WATER SERVICES TRUST FUND (WSTF)

Drawing Title:
ELECTRICAL LAYOUT

Drawing No.:
ELC 01

Designed By:
Edward Kong's
Eden Mall

Drawn By:
Edward K. Kong's

Checked By:
John Orwa

Approved by:
CEO - Water Services Trust Fund

Signature: _____

Scale: 1 : 50

Page: 4