



AirCell Structures are the first company to design & make a range of fit-for-purpose products spanning all three major sectors of the emergency aid equipment use:

Field Sanitation, Hygiene & Shelter Products.

AirCell's innovative products, based on over 5 years of experience and feedback, have been deployed around the world by aid & disaster relief agencies, outreach charities & commercial organisations operating in remote and challenging environments

- Fit for purpose • robust • simple quick assembly • easy to clean • minimal packed size & weight
- complete kits • designed to minimise freight & storage costs



Sanitation products

- Pit latrines & elevated VIP or desiccating toilets
- Single or double configurations
- Integral squat plates or pedestals

Hygiene products

- Hands-free water dispensing units available in a variety of sizes & configurations
- Shower cubicles in single or double units incorporating our integral shower plate



Shelter products

- Inflatable, sealed-airframes
- Quick & easy to erect with all kit provided - no ropes or poles
- Range of sizes, configurations & specification for living, working, medical, mobile, harsh environments ...
- Adaptable internal layout & ability to interconnect for covered complexes

For detailed information or to discuss your requirements please contact:

Michael Messenger

mm@aircellstructures.com

Tel. +44 (0)20 7731 7542 - Mob. +44 (0)7836 615 938

www.aircellstructures.com



AirCell's Sanitation Products

A range of sanitation products specifically designed to meet the varying needs of organisations operating in challenging environments, our latrines have been deployed in many countries around the world

- Lightweight & robust
- minimal freight/ storage costs
- easy to assemble
- complete packages
- choice of integral AirCell squat or pedestal plates

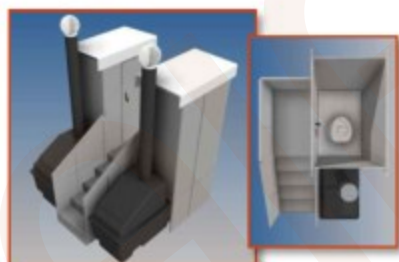


Pit latrine (CCubicle)

- The workhorse of our range, available as single or double units, the CCubicle is the lightest on the market, robust, simple to erect & self-supporting over a pit

Raised VIP latrine (TTanker)

- Our newly designed single or double, 800l, ventilated tank latrine is elevated to avoid any groundwork; emptied by pump it benefits from the lightness, flat-pack panels & simple assembly seen throughout AirCell's product range



Raised desiccator latrine (CCombo)

- The green option, similar to our TTanker configuration, the CCombo incorporates the unique Eloo; liquids evaporate while solids are desiccated to minimal quantities of non-polluting dry waste requiring infrequent, simple disposal

Latrine plates & adaptors (PPitStops)

- Integral to all AirCell latrines are either our squat plates (PPitStop SSQ) with optional clip-fit flushing bowls (BBowl) and our unique pedestal sit-on plates (PPitStop SSO), which can also be configured for bag-and-bin use



For more detailed information on any of our sanitation products please contact:

Michael Messenger

mm@aircellstructures.com

Tel. +44 (0)20 7731 7542 - Mob. +44 (0)7836 615 938

www.aircellstructures.com



SANITATION: Raised VIP tanked latrines

AirCell's unique honeycomb plastic panelling system is combined with a vented 800 litre rubber tank substructure & steps to produce the most effective solution to Sanitation in high water table and rocky ground environments, as found now in so many worldwide aid situations .

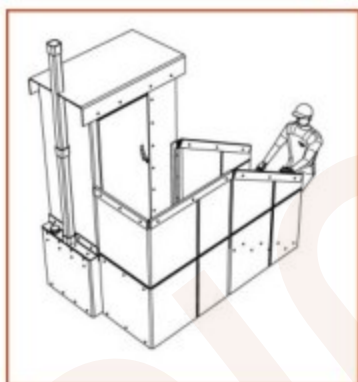
TTankers



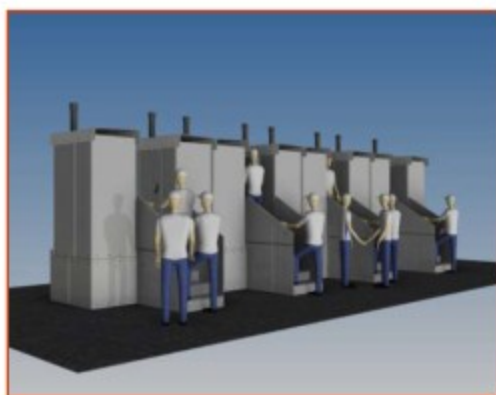
TTanker Solo
Single side stepped unit

TTanker Mono
Single stepped and platformed unit

TTanker Duo
Double unit sharing steps and a platform



- Side steps provide more stable base than in-line steps
- Easy assembly, similar to CCubicle latrines
- No metalwork – imprinted hinges & panel-folds
- No tools required – all finger nuts & bolts
- Internal floor with cut-out to suit different plates
- Red turn privacy indicator/lock
- Self-closing door
- Translucent sloping roof
- Fire-resistant & rot-proof material
- 800 litre rubber sludge tank with screw-cap hose access
- Tank lid can be lifted for cleaning (with latrine removed)
- Vent pipe reduces odour and insect infestation
- Modular fit for AirCell PPitStop SSQ & SSO plates



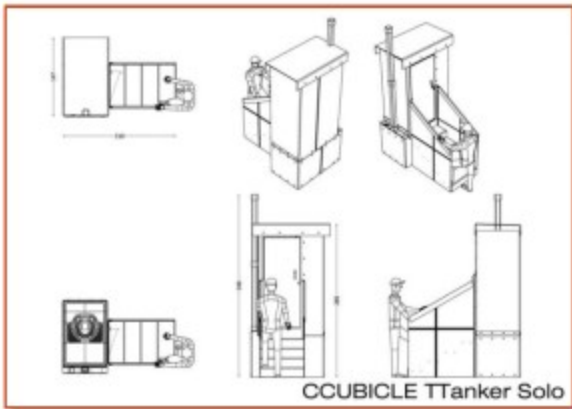
For further information & order enquiries please contact:

Michael Messenger

mm@aircellstructures.com

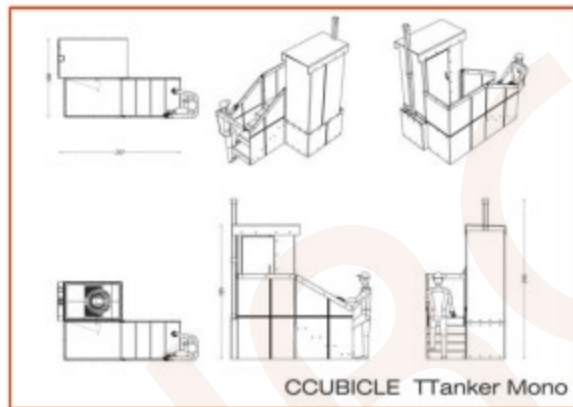
Tel. +44 (0)20 7731 7542 - Mob. +44 (0)7836 615 938

AirCell Structures Ltd designs & manufactures a range of fit-for-purpose **field sanitation, hygiene & shelter** products deployed around the world by aid and disaster response agencies, outreach charities & commercial organisations – more at www.aircellstructures.com



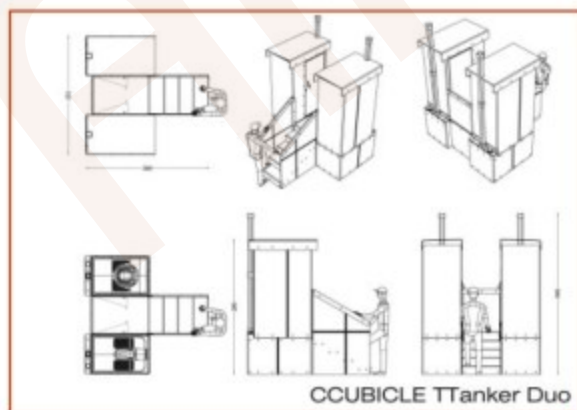
TTanker Solo

- Dimensions: 210 x 147 x 285 cms built
- Weight: 70 kgs nett
- Packing: 1 per 100 x 200 x 35 cms carton
- 2 men assemble in 90 minutes
- Thermo-bonded tri-lam polypropylene
- Nylon finger knurl nuts & bolts
- Pre-drilled fixing holes – no tools needed
- Fabric door pulls
- Accepts AirCell PPitstop latrine plates



TTanker Mono

- Dimensions: 260 x 168 x 285 cms built
- Weight: 80 kgs nett
- Packing: 1 per 100 x 200 x 45 cms carton
- 2 men assemble in 120 minutes
- Thermo-bonded tri-lam polypropylene
- Nylon finger knurl nuts & bolts
- Pre-drilled fixing holes – no tools needed
- Fabric door pulls
- Accepts AirCell PPitstop latrine plates



TTanker Duo

- Dimensions: 260 x 251 x 285 cms built
- Weight: 135 kgs nett
- Packing: 1 in 2 of 100 x 200 x 45 cms cartons
- 2 men assemble in 180 minutes
- Thermo-bonded tri-lam polypropylene
- Nylon finger knurl nuts & bolts
- Pre-drilled fixing holes – no tools needed
- Fabric door pulls
- Single door & central passage partition
- Accepts AirCell PPitstop shower plates

To discuss your specific design and/or layout needs please contact:

Michael Messenger

mm@aircellstructures.com

Tel. +44 (0)20 7731 7542 - Mob. +44 (0)7836 615 938



AirCell's Hygiene Products

Our hygiene range includes the popular shower cubicles and portable, hands-free water dispensing systems, designed at the request of the Red Cross in response to the cholera epidemic in Zimbabwe

- Lightweight & robust
- hands-free
- easy to assemble
- controlled water usage
- stand-alone units



40/80l WWashPot (WW40/WW80)

- The smaller of our units, for single users, can be stand-alone or attached to a water supply; weighing just 4kgs it requires no tools to assemble and has a self-priming foot pump to control wastage of valuable water

600l WWashTank (WW600)

- This stand-alone unit, suitable for group use, has 4 stations with self priming foot-pumps & spray-head water delivery, provides 7,500 washes, flat-packs & weighs just 25kgs



Shower cubicle (CCubicle.SSH) Tray (PPitStop.SSH)

- Single or double units flat-pack to 25 & 50kg and incorporate our strong, integral shower plate that has a contoured surface and a 40mm waste pipe connector

For more detailed information on any of our hygiene products please contact:

Michael Messenger

mm@aircellstructures.com

Tel. +44 (0)20 7731 7542 - Mob. +44 (0)7836 615 938

www.aircellstructures.com



AirCell's Shelter Products

The TTent, AirCell's innovative, inter-connecting, sealed-airframe shelters range from clinical centres for small, mobile outreach teams to large tented complexes such as hospitals

- Weather & insect proof
- no ropes & poles
- easy to clean
- adaptable uses & configurations

The TTent range



Mobile clinical centre (TT.CC) & pods (TT.CR)

- For small, mobile teams this versatile tent (15sqm) has detachable wall panels to create up to 3 rooms, takes minimal space in a vehicle, is easy to carry & assemble (15mins) and can have up to 2 smaller pods (4sqm each) added to make it even more adaptable

20/40sqm general purpose tent (TT10/TT12)

- The workhorse of our range with all-in-one bonded walls, frame & groundsheet; double skinned for insulation & designed to shed snow; spacious with the options of an entrance portal (PPortal), internal partitions and linking



Quick assembly tented complexes

- Our 80sqm pyramid shelter (HHub), can either be used alone as a meeting/conference space, or in combination with the PPortal & general purpose TT12 tent to create complexes of limitless size and configuration

For more detailed information on any of our shelter products please contact:

Michael Messenger

mm@aircellstructures.com

Tel. +44 (0)20 7731 7542 - Mob. +44 (0)7836 615 938

www.aircellstructures.com