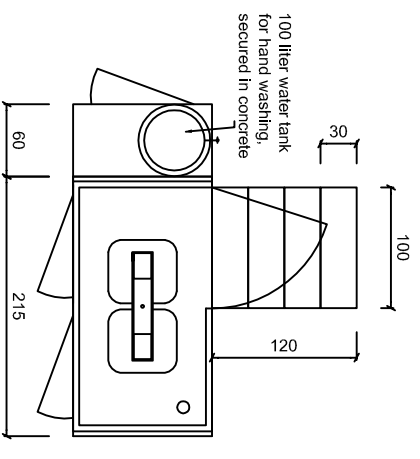
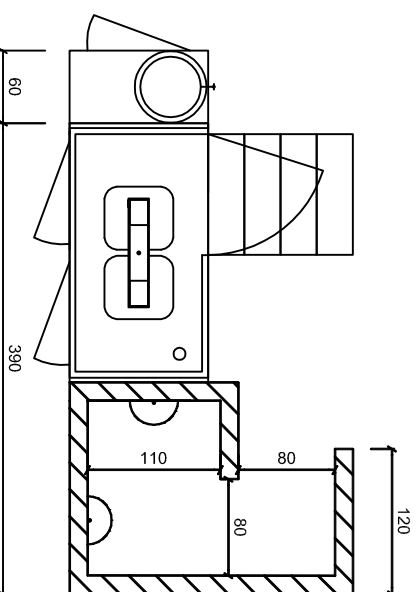


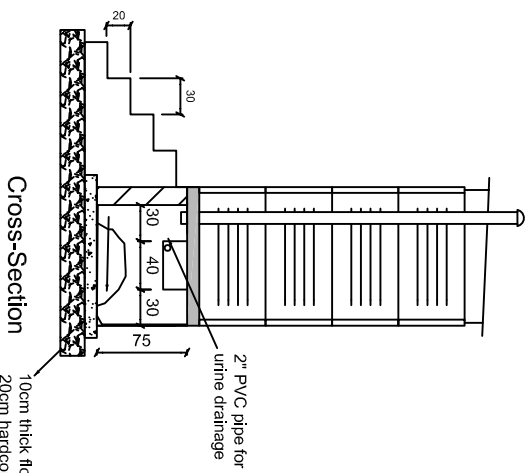
Chambers



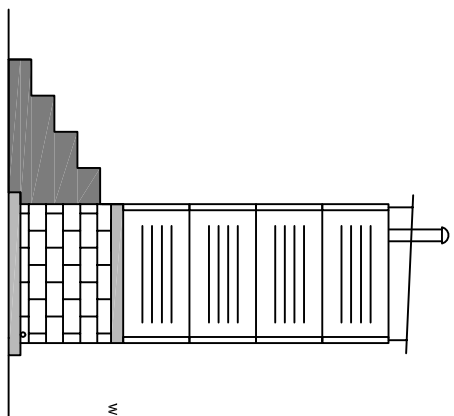
Superstructure Kenterner on concrete slab



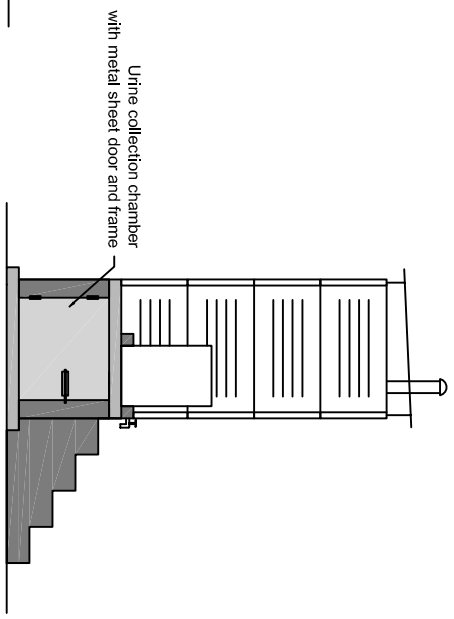
Mens UDDT with urinal



Cross-Section



Side view



Side view with urine collection chamber

| | | | | | | | | | | | |
|--|--|--|--|--|--|--|--|--|--|--|--|
| Project Name EU-SIDA-GTZ Ecosan PROMOTION PROJECT Contract No. 9ACP RPR 39/68 - Kenya, Nairobi | | Client European Union (EU-APC Water Facility) SIDA (Swedish International Development Agency) GTZ (German Technical Cooperation) | | Partner Ministry of Water and Irrigation Maji House Nairobi Kenya | | Drawing Title UDDT - plastic panels Subtitle HH+INSTIT. URINE DIVERSION DRY TOILET | | Approved by Eng. Patrick Oryango Project Manager Signature | | Scale Date none March 2010 | |
|    | |  | |  | |  | |  | | | |