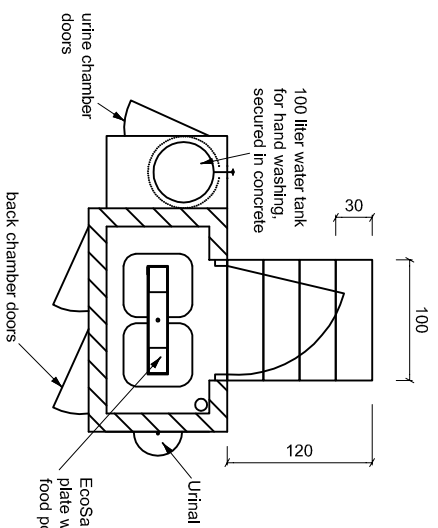
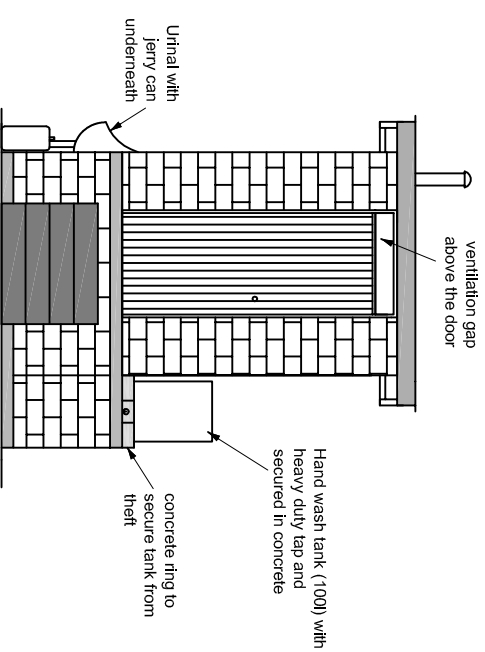


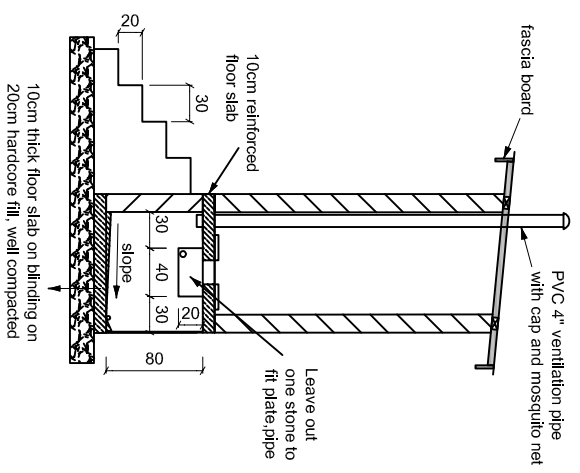
**Chambers**



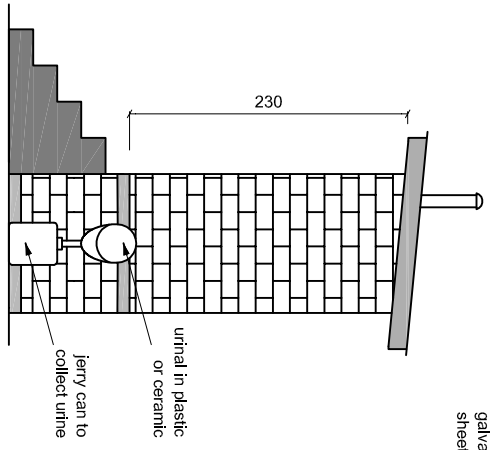
**Superstructure**



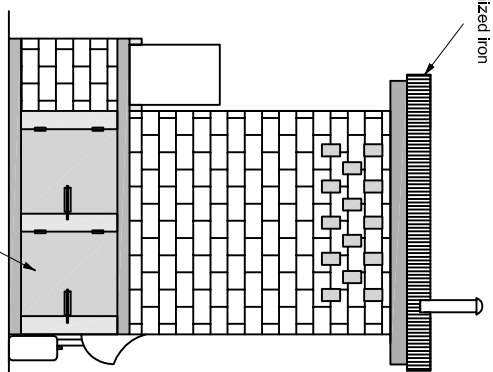
**Front View**



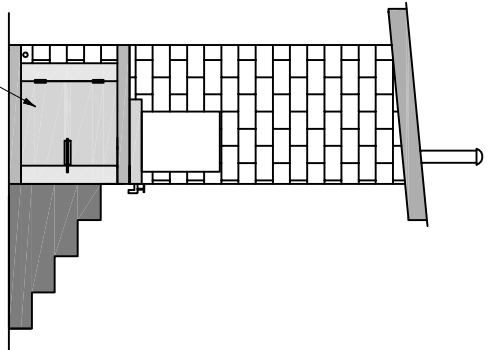
**Cross-Section**



**Side View Urinal**



**Rear View**



**Side View Hand Wash**

<b>Project Name</b>		<b>Client</b>		<b>Partner</b>		<b>Drawing Title</b>		<b>Approved by</b>		<b>Scale</b>	
EU-SIDA-GTZ <b>Ecosan PROMOTION PROJECT</b> Contract No. 9ACP RPR 39/68 · Kenya, Nairobi		European Union (EU-APC Water Facility) SIDA (Swedish International Development Agency) GTZ (German Technical Cooperation)		Ministry of Water and Irrigation Maji House Nairobi Kenya		<b>UDDT with urinal</b> Subtitle HOUSEHOLD URINE DIVERSION DRY TOILET		Eng. Patrick Oryango Project Manager Signature .....		none March 2010	
		  						Sheet: <b>HH-UDDT-1</b>			