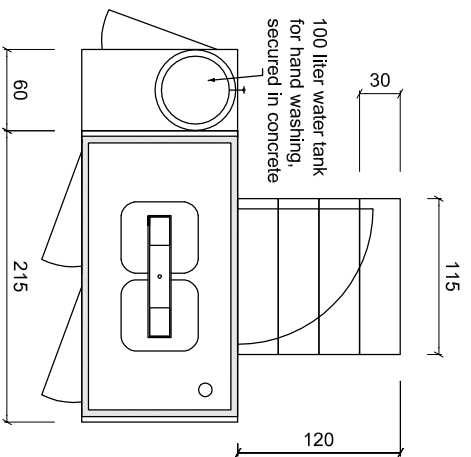
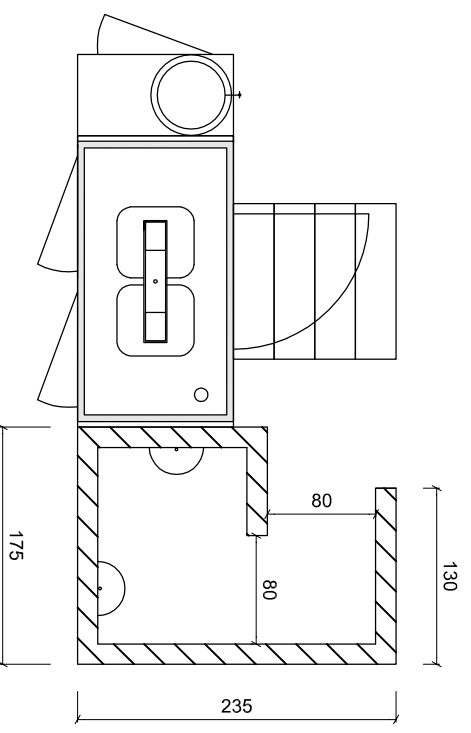


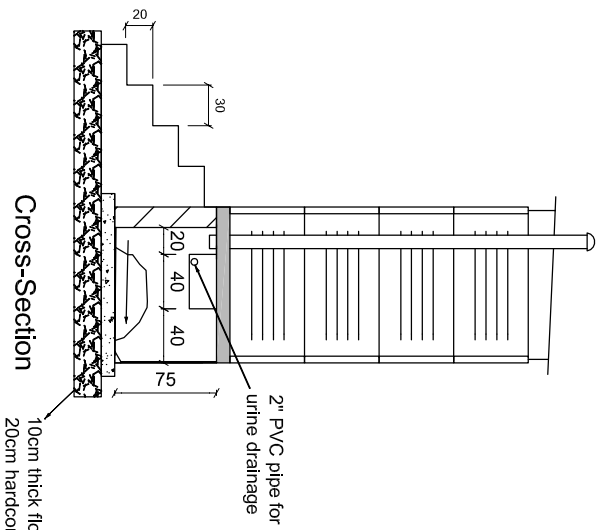
Chambers



Superstructure Kentainer on concrete slab

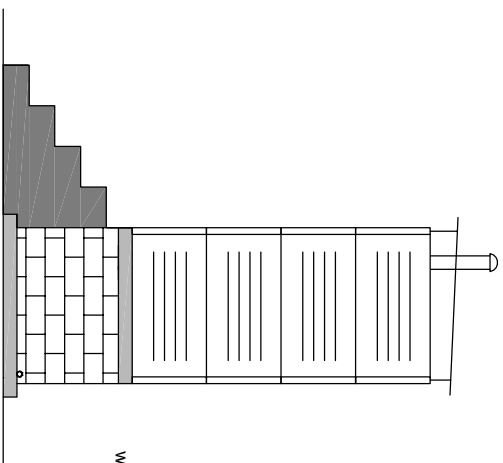


Mens UDDT with urinal

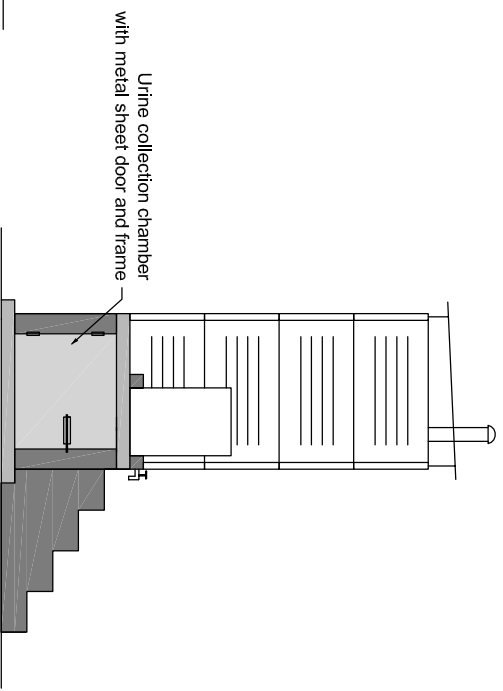


Cross-Section

10cm thick floor slab on blinding on 20cm hardcore fill, well compacted



Side view



Side view with urine collection chamber

**PRIMARY SCHOOL URINE DIVERSION DRY TOILET
TEACHERS UDDT WITH URINAL AND
KENTAINER SUPERSTRUCTURE**

DRAWING NUMBER DATE

Kaur-2 24.2.10