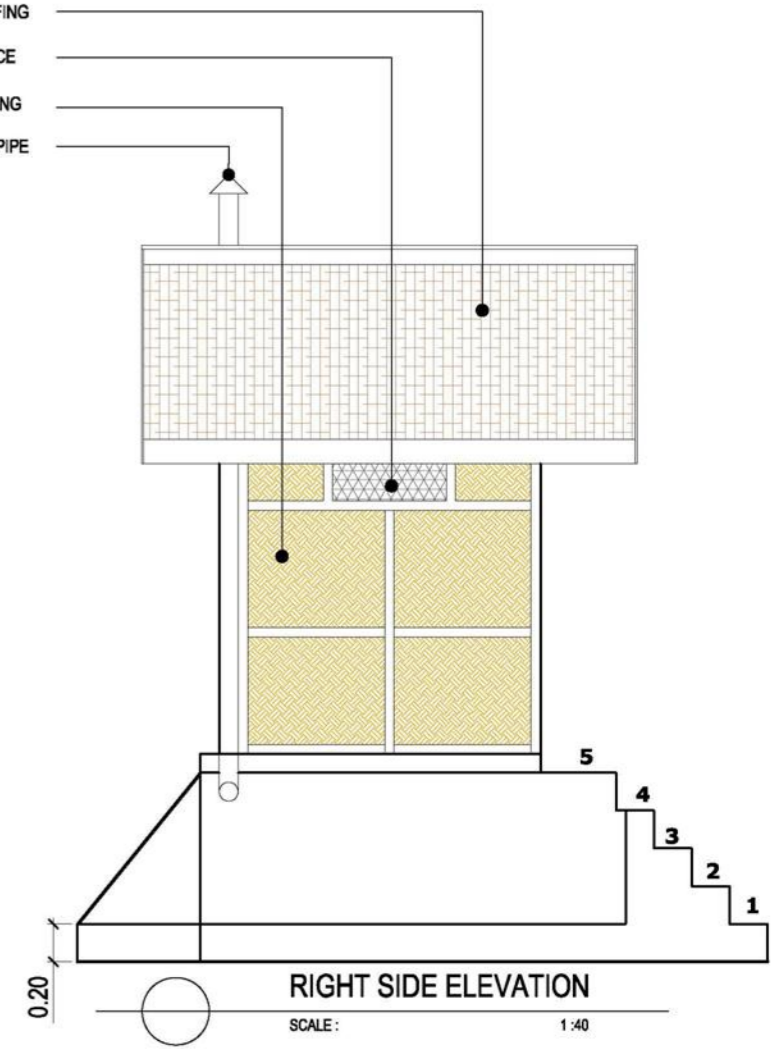
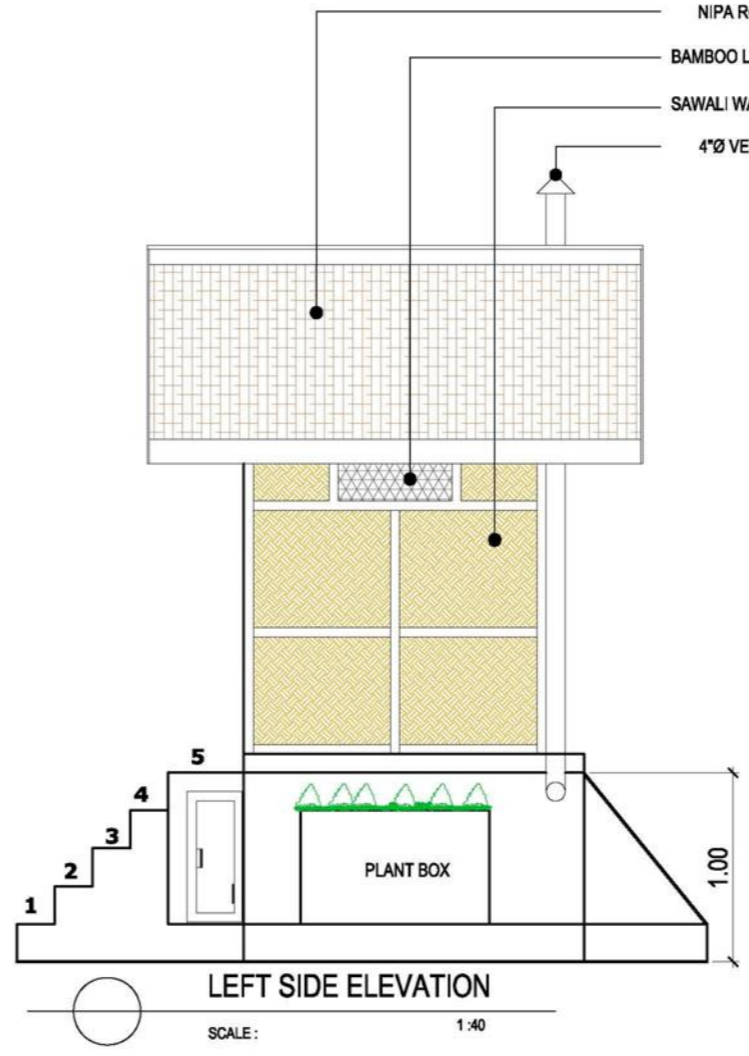
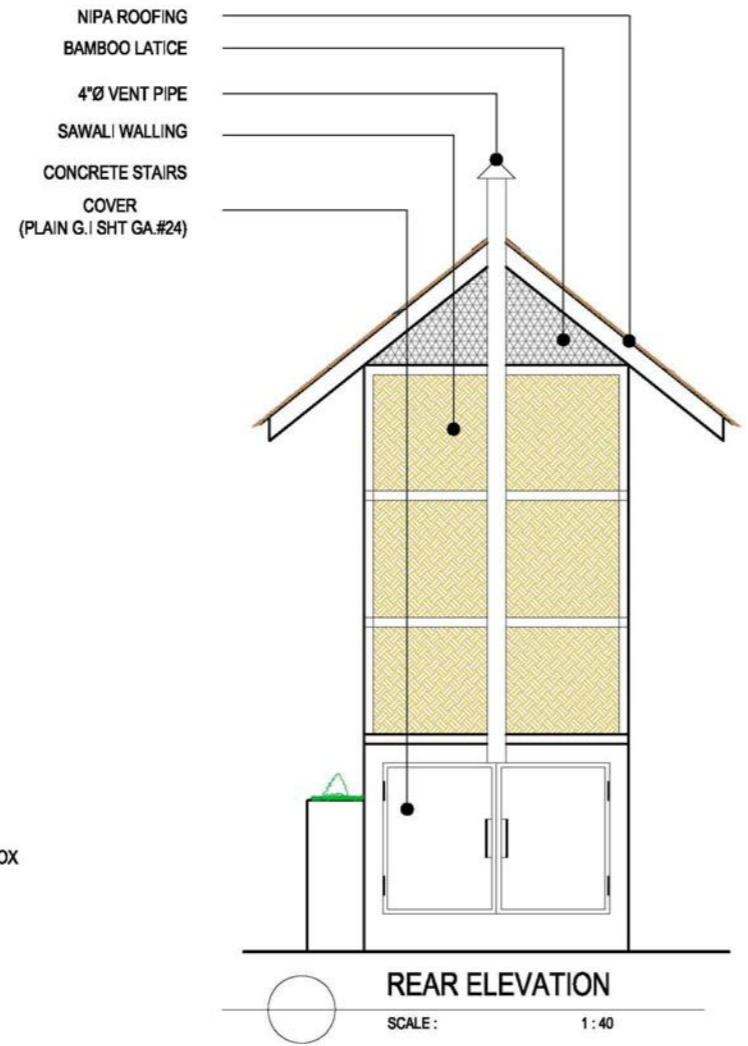
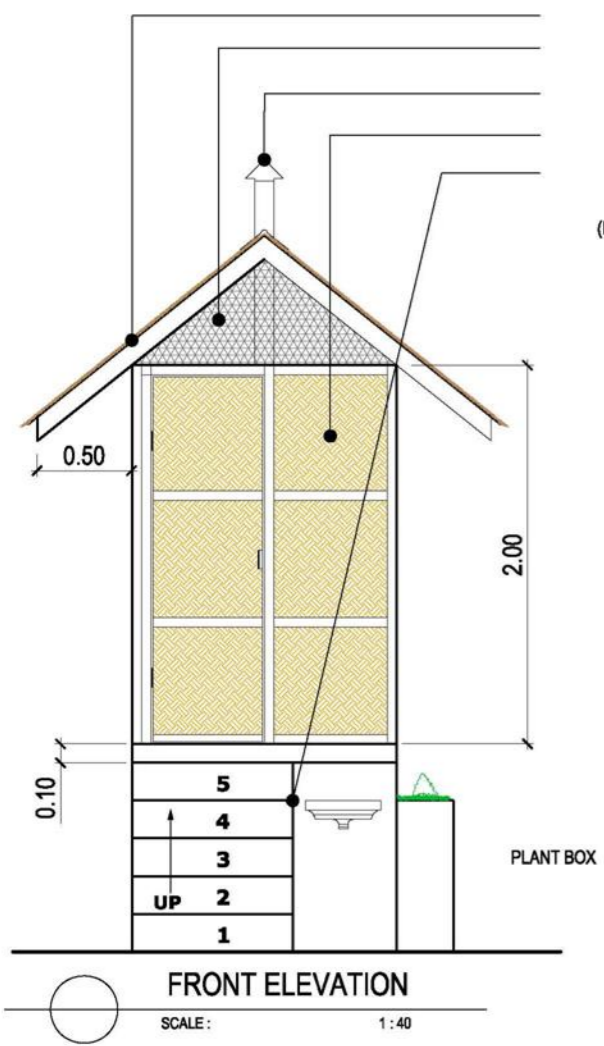





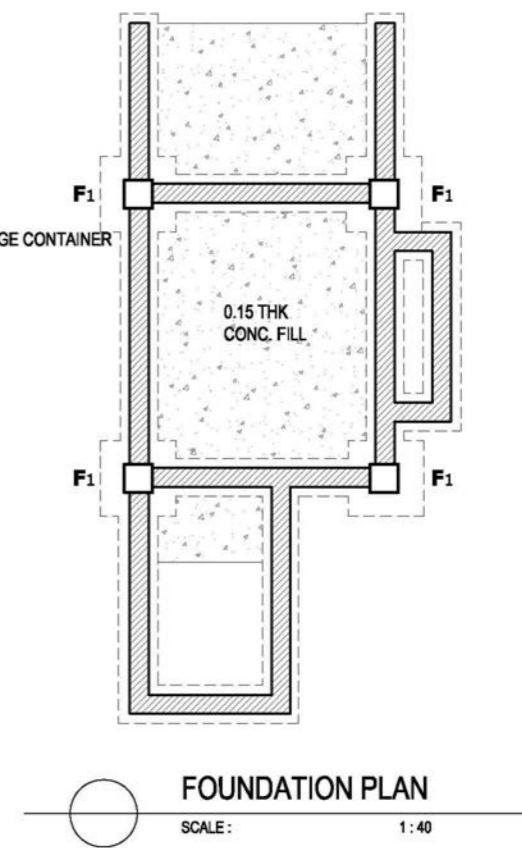
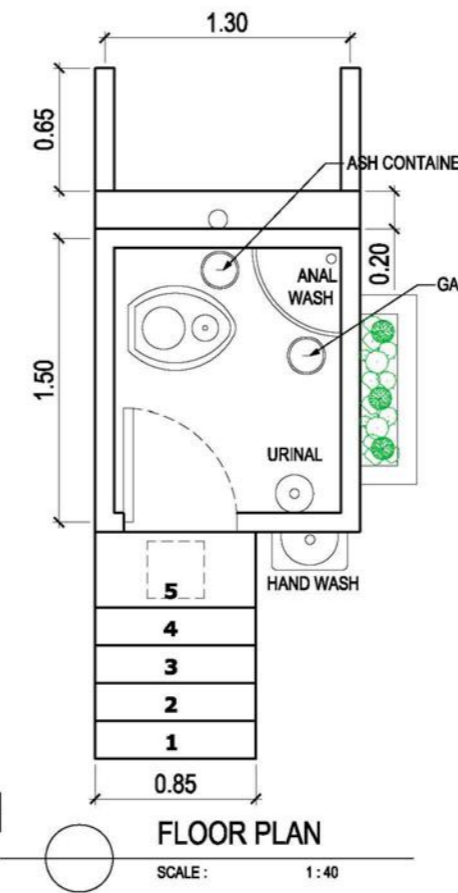
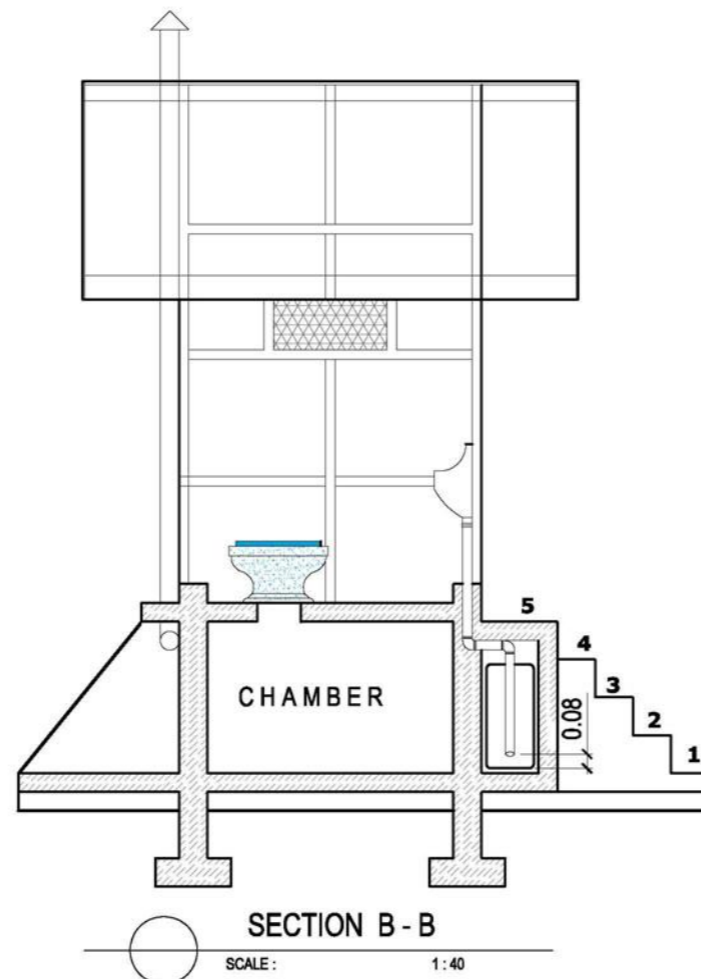
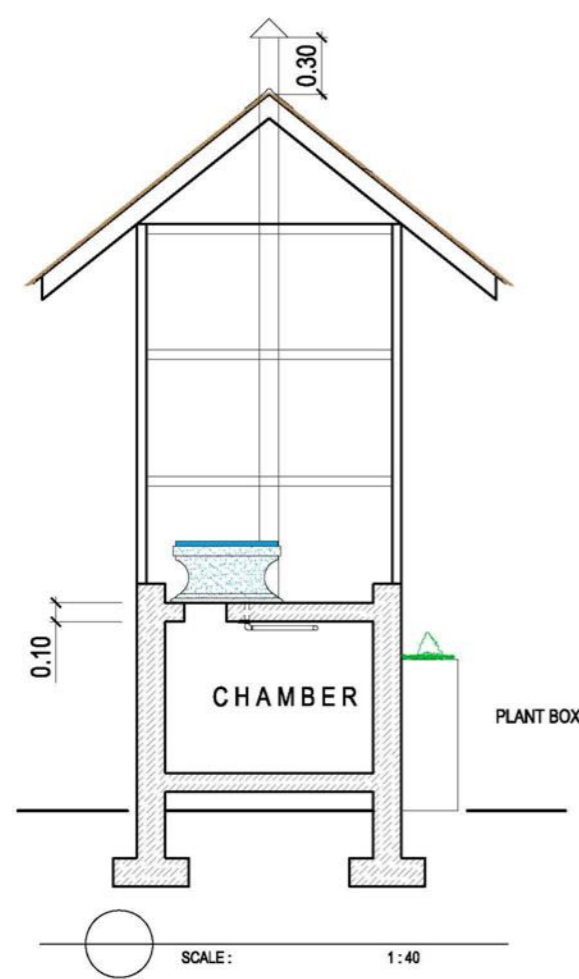
PREPARED BY:	PROJECT TITLE :	DESIGNED BY:	CADD BY:	CHECKED BY :	APPROVED BY :	SHEET NO.
<b>PEO</b> ORIENTAL NEGROS	Urine Diversion Dehydration Toilet (UDDT – single chamber)	PEO / PPDO / GTZ	ROLAND G. ZERNA	VIVIAN G. SOLOMON	SUSANO L. RUPERTO, JR.	1 5
CAPITOL AREA, DGTE.	LOCATION : ORIENTAL NEGROS		ENGINEER II	ENGINEER IV	PROVINCIAL ENGINEER	DATE : 9 FEB. 2007



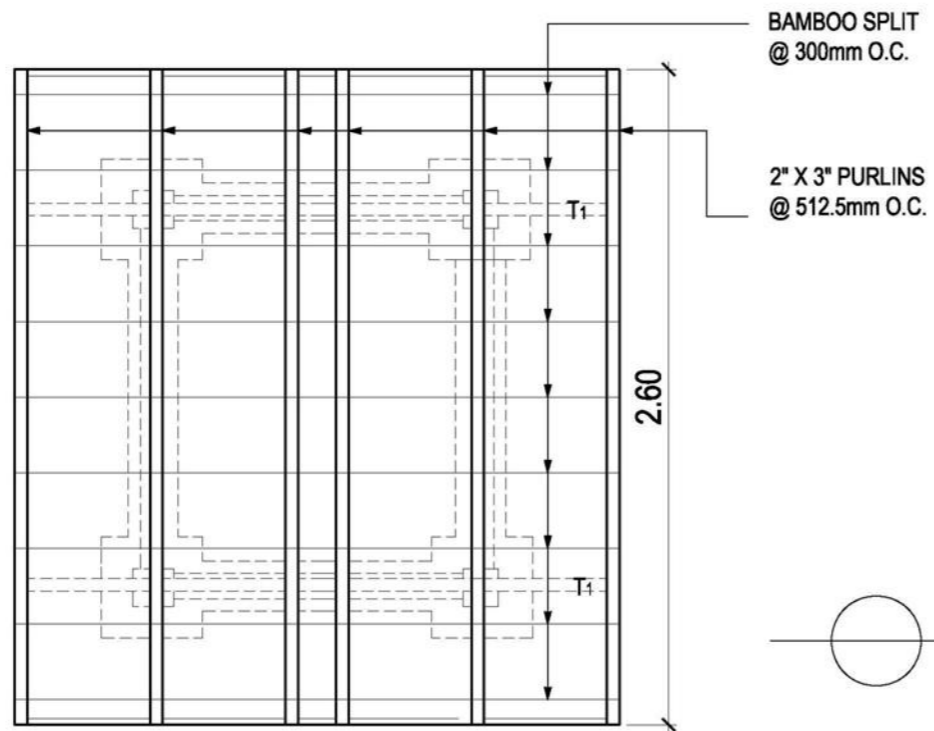
- NIPA ROOFING
- BAMBOO LATICE
- 4"Ø VENT PIPE
- SAWALI WALLING
- CONCRETE STAIRS COVER (PLAIN G.I SHT GA.#24)

- NIPA ROOFING
- BAMBOO LATICE
- SAWALI WALLING
- 4"Ø VENT PIPE

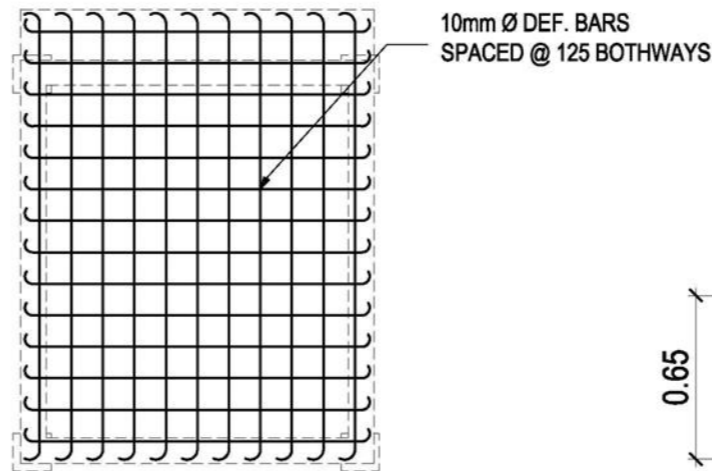
	PREPARED BY:	PROJECT TITLE:	DESIGNED BY:	CADD BY:	CHECKED BY:	APPROVED BY:	SHEET NO.
	<b>PEO</b> ORIENTAL NEGROS	Urine Diversion Dehydration Toilet (UDDT – single chamber)	PEO / PPDO / GTZ	ROLAND G. ZERNA	VIVIAN G. SOLOMON	SUSANO L. RUPERTO, JR.	2 5
	CAPITOL AREA, DGTE.	LOCATION : ORIENTAL NEGROS		ENGINEER II	ENGINEER IV	PROVINCIAL ENGINEER	DATE : 9 FEB. 2007



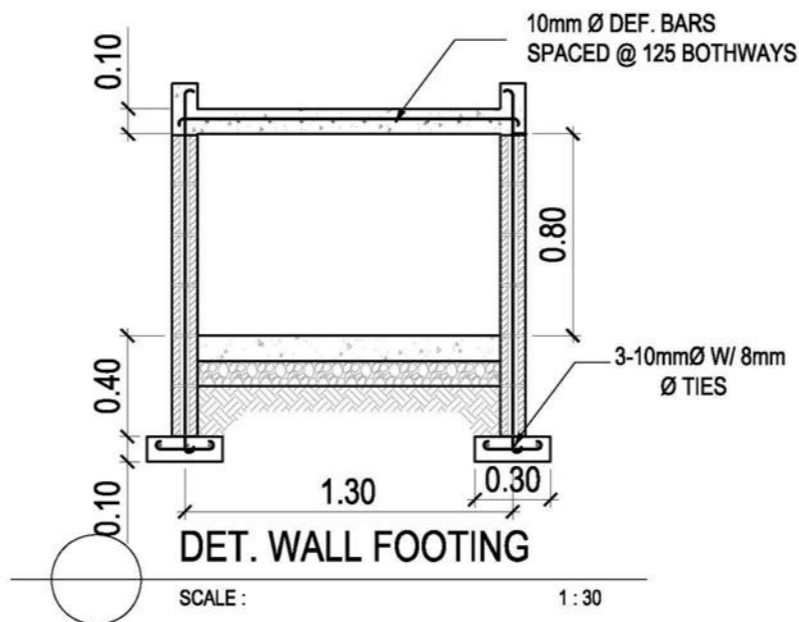
PREPARED BY:	PROJECT TITLE:	DESIGNED BY:	CADD BY:	CHECKED BY:	APPROVED BY:	SHEET NO.
<b>PEO</b> ORIENTAL NEGROS	Urine Diversion Dehydration Toilet (UDDT – single chamber)	PEO / PPDO / GTZ	ROLAND G. ZERNA	VIVIAN G. SOLOMON	SUSANO L. RUPERTO, JR.	3
CAPITOL AREA, DGTE.	LOCATION: ORIENTAL NEGROS		ENGINEER II	ENGINEER IV	PROVINCIAL ENGINEER	5
						DATE: 9 FEB. 2007



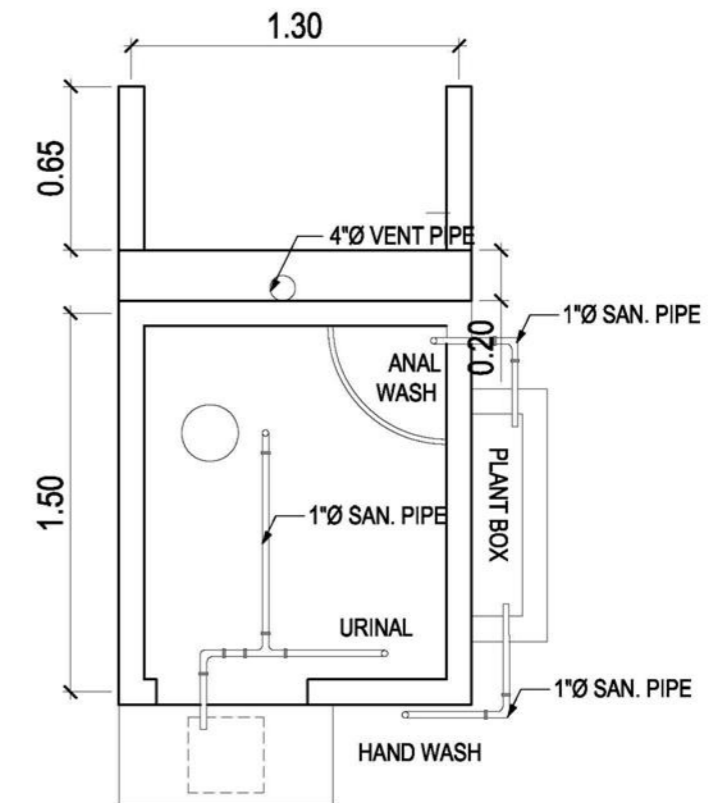
**ROOF FRMG. PLAN**  
SCALE: 1:30



**BEAM PLAN & SLAB DET.**  
SCALE: 1:30



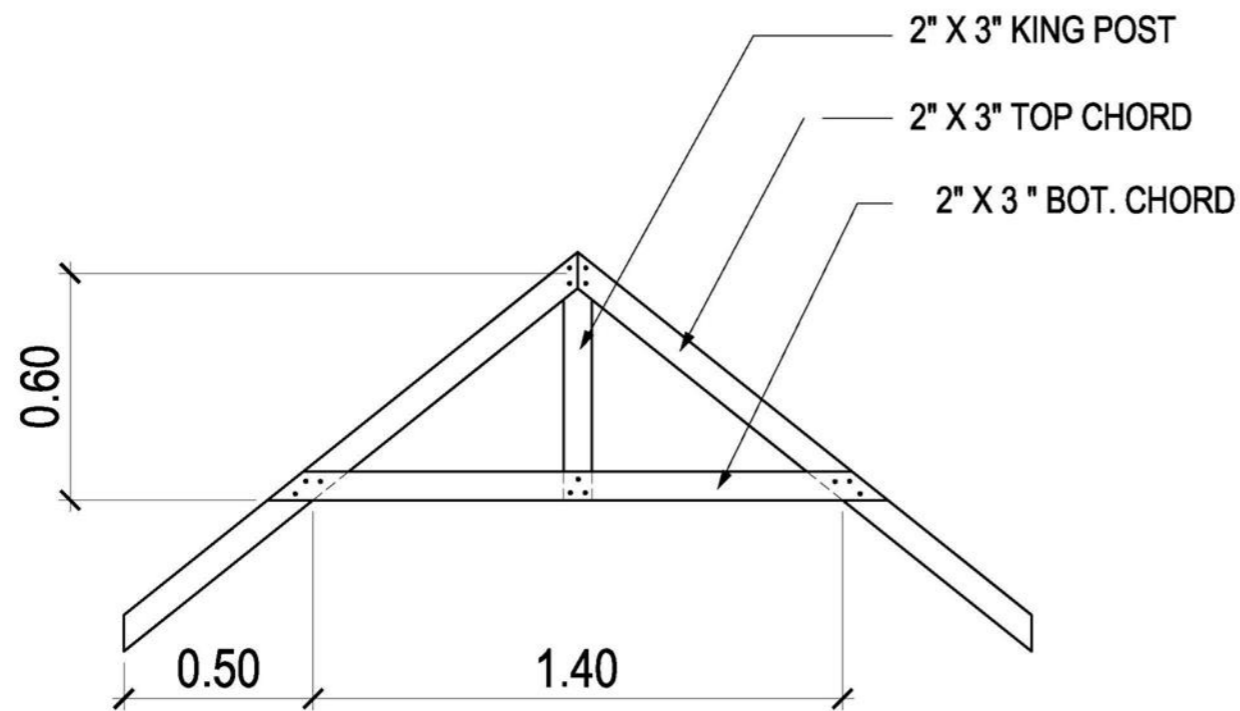
**DET. WALL FOOTING**  
SCALE: 1:30



**PLUMBING DETAIL**  
SCALE: 1:30

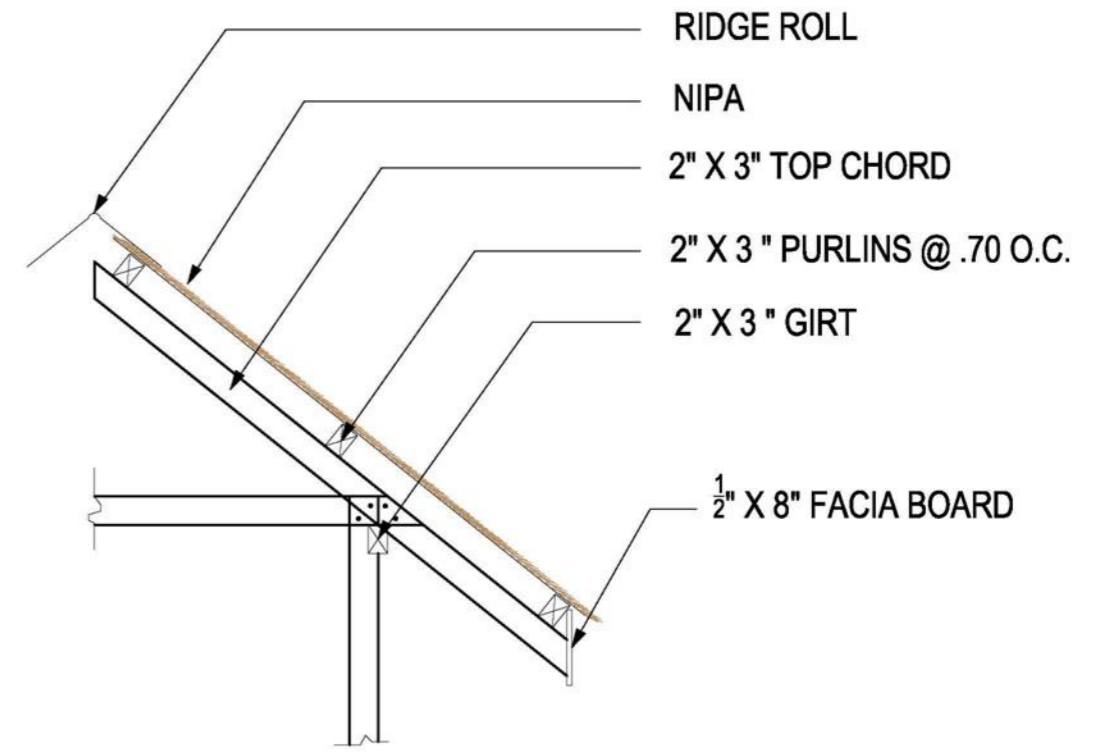


PREPARED BY:	PROJECT TITLE:	DESIGNED BY:	CADD BY:	CHECKED BY:	APPROVED BY:	SHEET NO.
<b>PEO</b> ORIENTAL NEGROS	Urine Diversion Dehydration Toilet (UDDT – single chamber)	PEO / PPDO / GTZ	ROLAND G. ZERNA	VIVIAN G. SOLOMON	SUSANO L. RUPERTO, JR.	4
CAPITOL AREA, DGTE.	LOCATION: ORIENTAL NEGROS		ENGINEER II	ENGINEER IV	PROVINCIAL ENGINEER	5
						DATE: 9 FEB. 2007



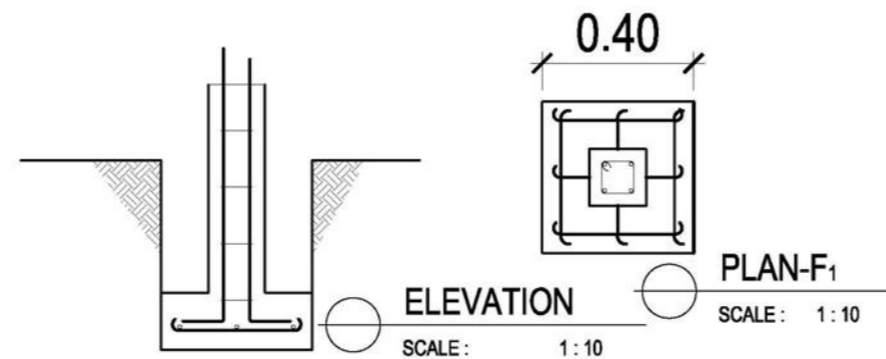
**DET. MAIN TRUSS**

SCALE: 1:20



**DET. OF GIRT**

SCALE: 1:20



**FOOTING DETAIL**

SCALE: 1:20



PREPARED BY:	PROJECT TITLE:	DESIGNED BY:	CADD BY:	CHECKED BY:	APPROVED BY:	SHEET NO.
<b>PEO</b> ORIENTAL NEGROS	Urine Diversion Dehydration Toilet (UDDT – single chamber)	PEO / PPDO / GTZ	ROLAND G. ZERNA	VIVIAN G. SOLOMON	SUSANO L. RUPERTO, JR.	5
CAPITOL AREA, DGTE.	LOCATION: ORIENTAL NEGROS		ENGINEER II	ENGINEER IV	PROVINCIAL ENGINEER	5
						DATE: 9 FEB. 2007