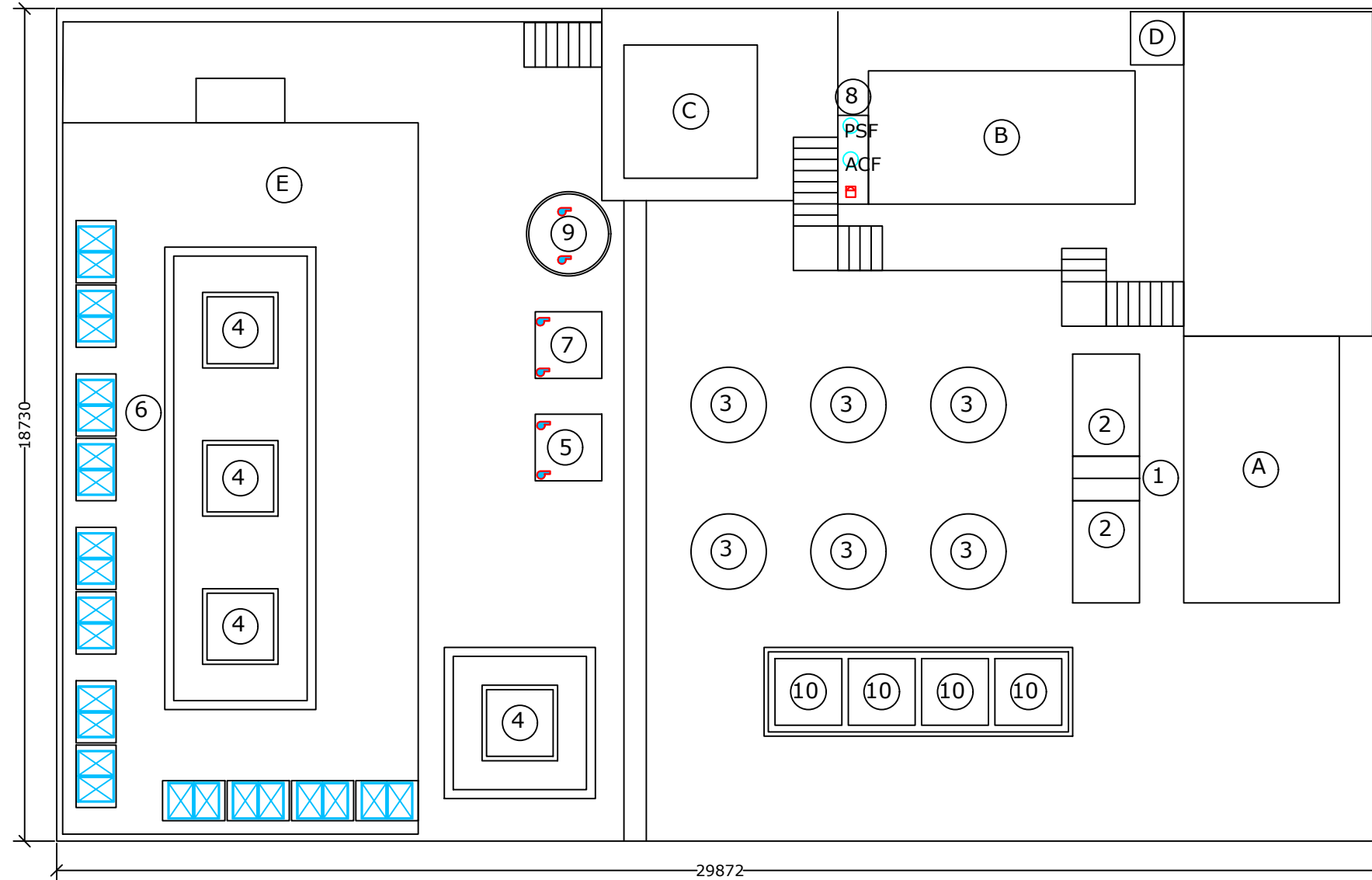
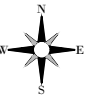


PROJECT NAME :
FECAL SLUDGE TREATMENT PLANT
AT KALPETTA, KERALA



PLAN
(Area= 600 Sqm)

NOTES

- All dimensions are in 'mm' unless mentioned otherwise.
- All dimensions are to be checked and co-related with the design drawings and structural drawings. Any discrepancy or omission shall be brought to the notice.
- All inner dimensions are excluding plastering in design drawings and including plastering in structural drawings unless otherwise mentioned.
- Use UPVC pipes (25.4mm, 55mm, 110mm & 150 mm dia (1", 2", 4" & 6")) which can withstand pressure of 6kg/cm².
- All BBM walls to be with cement mortar ratio of 1:5 unless otherwise mentioned.
- This drawing is write and property of PriMove is not be produced , copied , handed over to third party or used for any other purpose other than for which it is intended and remain our sole property. this drawing together with any copies made by the recipient shall be returned on demand to us.
- This drawing should be read in conjunction with relevant detailed architectural drawings and design sheets. all dimensions shall be verified on site prior to start of work.

REVISION

DATE	REMARKS	SIGNATURE
DEC 2019	As Build Drawing	R. M. W.

CLIENT : UNICEF INDIA

DRAWING NAME:
PLANT LAYOUT

PROJECT CODE : ITBF	DRAWING NO : DRW NO-01	DATE: DEC-2019
DRAWN BY : L.D.B.	CHECKED BY : R.M.W.	SCALE : NTS



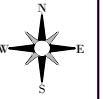
PRiMOVE INFRASTRUCTURE DEVELOPMENT CONSULTANTS PVT. LTD.
C-3, 304 B, Saudamini Complex Tel : +91 - 20 - 25280201
Bhusari Colony, Paud Road, Fax : +91 - 20 - 25280200
Kothrud, Pune - 411038 Email : info@primoveindia.com
Maharashtra, India. Web : www.primoveindia.com

Process Unit Details								
Sr. No	Description	No	L/D m.	B m.	H m.	FB m.	Total H m.	MOC
1	Screen Chamber	2	1.50	0.50	0.50	0.50	1.50	FRP
2	Solid Liquid Separation tank	2	2.30	1.50	1.50	0.50	2.00	FRP
3	Anaerobic Digester	6	Dia	1.70	1.50	0.50	2.00	HDPE
4	Tiger Bio Filter I	4	3.00	3.00	0.90	0.00	0.90	RCC+ BW
5	TBF II Feed Tank	1	1.50	1.50	2.00	0.50	2.50	FRP
6	Tiger Bio Filter II	12	1.40	0.90	1.50	0.00	1.50	MS + PE
7	Filter Feed Tank	1	1.50	1.50	2.00		2.50	FRP
8	Tertiary Treatment Unit	1	1.50	0.60	0.00	0.00	2.50	RCC
9	Treated Water Storage Tank	1	Dia	1.80	2.00	0.50	2.50	RCC ring
10	Tiger Bio Filter III	4	1.50	1.50	0.90	0.00	0.90	RCC+ BW

Building Details						
Sr. No	Description	No	L m.	B m.	H m.	MOC
A	Unloading Platform	1	6.00	3.50	0.00	RCC
B	Admin cum Control room	1	6.00	3.00	3.00	MS+ FRP
C	Store room	1	3.00	3.00	3.00	MS+ FRP
D	Wash room	1	1.20	1.20	2.50	RCC
E	TBF Shed	1	16.0	8.00	2.50	MS

Legend		
Sr. No	Code	Description
1		Concrete Surface
2		Footpath
3		Grass

PROJECT NAME :
 FECAL SLUDGE TREATMENT PLANT
 AT KALPETTA, KERALA



NOTES

- All dimensions are in 'mm' unless mentioned otherwise.
- All dimensions are to be checked and co-related with the design drawings and structural drawings. Any discrepancy or omission shall be brought to the notice.
- All inner dimensions are excluding plastering in design drawings and including plastering in structural drawings unless otherwise mentioned.
- Use UPVC pipes (25.4mm, 55mm, 110mm & 150 mm dia (1", 2", 4" & 6")) which can withstand pressure of 6kg/cm².
- All BBM walls to be with cement mortar ratio of 1:5 unless otherwise mentioned.
- This drawing is write and property of PriMove is not be produced , copied , handed over to third party or used for any other purpose other than for which it is intended and remain our sole property. this drawing together with any copies made by the recipient shall be returned on demand to us.
- This drawing should be read in conjunction with relevant detailed architectural drawings and design sheets. all dimensions shall be verified on site prior to start of work.

REVISION		
DATE	REMARKS	SIGNATURE
DEC 2019	As Build Drawing	R. M. W.

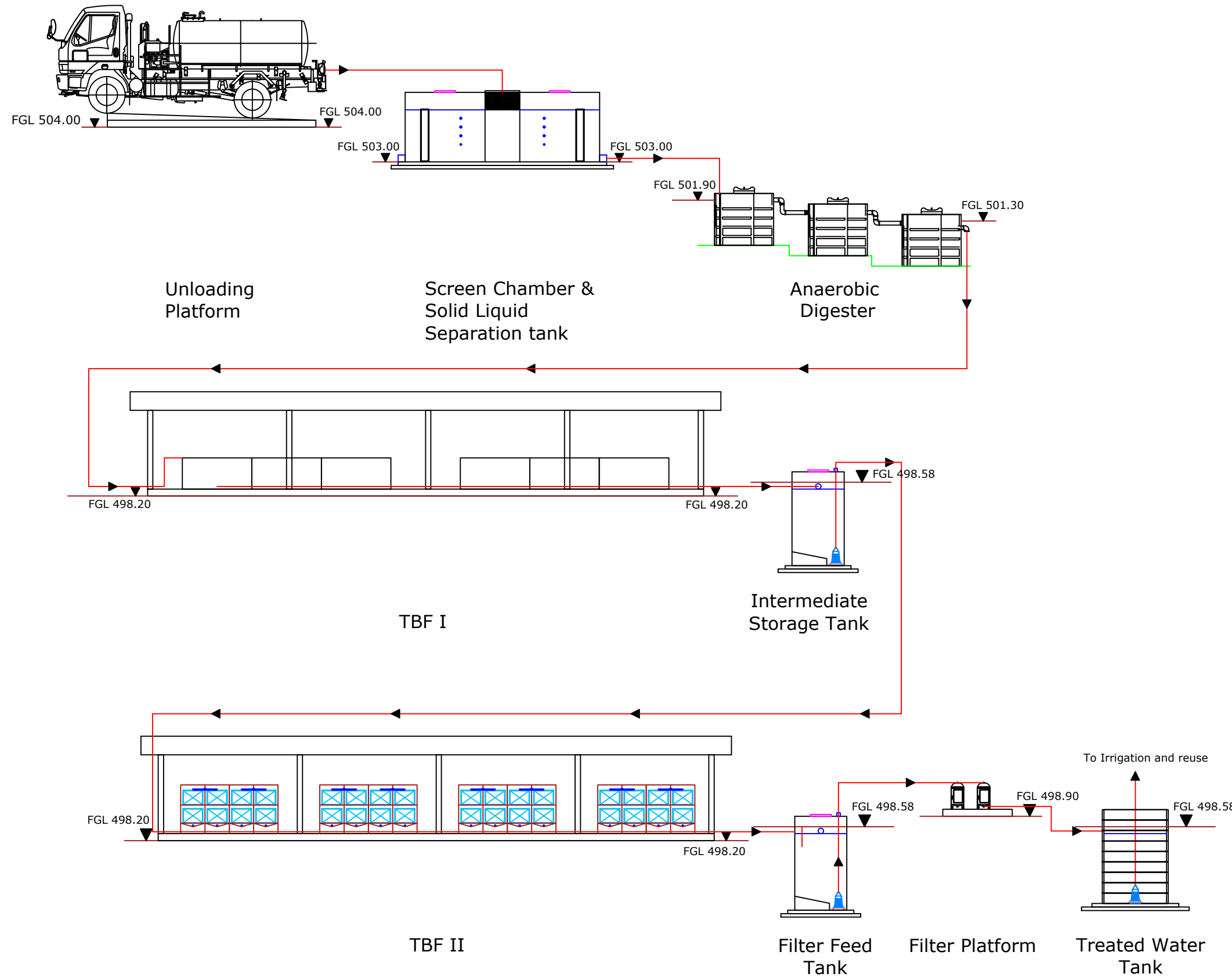
CLIENT : UNICEF INDIA

DRAWING NAME:
 HYDRAULIC FLOW DIAGRAM

PROJECT CODE : TBF	DRAWING NO : DRW NO-02	DATE: DEC-2019
DRAWN BY : L.D.B.	CHECKED BY : R.M.W.	SCALE : NTS

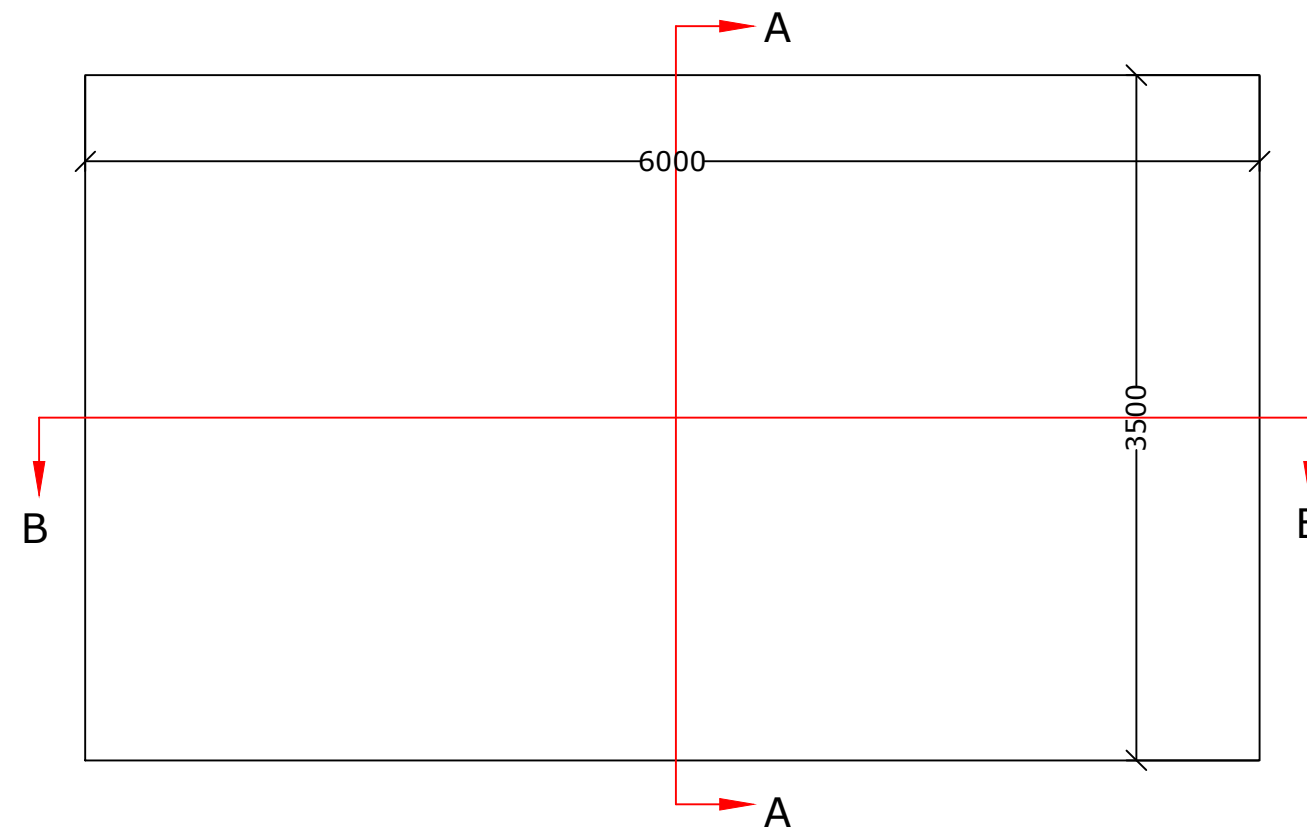
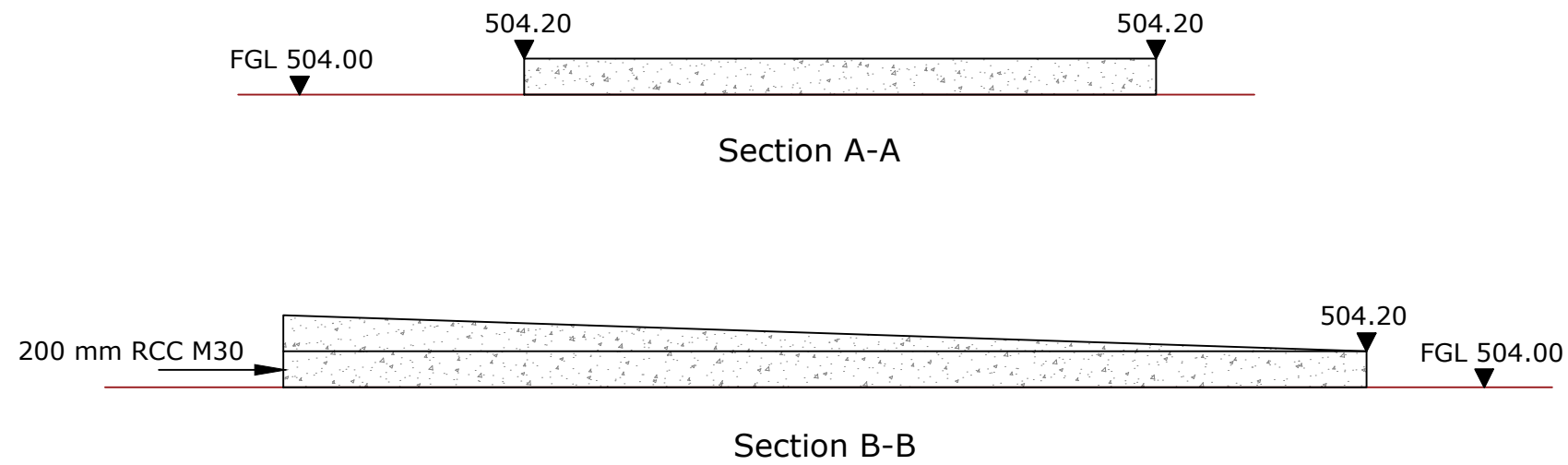


PRIMOVE INFRASTRUCTURE DEVELOPMENT CONSULTANTS PVT. LTD.
 C-3, 304 B, Saudamini Complex
 Bhusari Colony, Paud Road,
 Kothrud, Pune - 411038
 Maharashtra, India.
 Tel : +91 - 20 - 25280201
 Fax : +91 - 20 - 25280200
 Email : info@primoveindia.com
 Web : www.primoveindia.com



HYDRAULIC FLOW DIAGRAM

PROJECT NAME :
FECAL SLUDGE TREATMENT PLANT
AT KALPETTA, KERALA



PLAN
DETAILS OF UNLOADING PLATFORM

NOTES

- All dimensions are in 'mm' unless mentioned otherwise.
- All dimensions are to be checked and co-related with the design drawings and structural drawings. Any discrepancy or omission shall be brought to the notice.
- All inner dimensions are excluding plastering in design drawings and including plastering in structural drawings unless otherwise mentioned.
- Use UPVC pipes (25.4mm, 55mm, 110mm & 150 mm dia (1", 2", 4" & 6")) which can withstand pressure of 6kg/cm².
- All BBM walls to be with cement mortar ratio of 1:5 unless otherwise mentioned.
- This drawing is write and property of PriMove is not be produced , copied , handed over to third party or used for any other purpose other than for which it is intended and remain our sole property. this drawing together with any copies made by the recipient shall be returned on demand to us.
- This drawing should be read in conjunction with relevant detailed architectural drawings and design sheets. all dimensions shall be verified on site prior to start of work.

REVISION

DATE	REMARKS	SIGNATURE
DEC 2019	As Build Drawing	R. M. W.

CLIENT : UNICEF INDIA

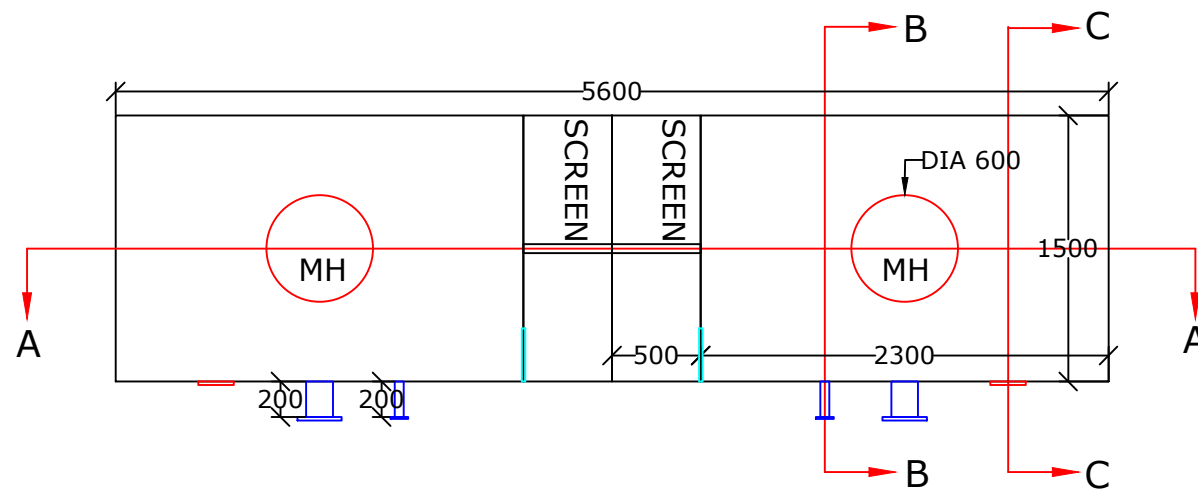
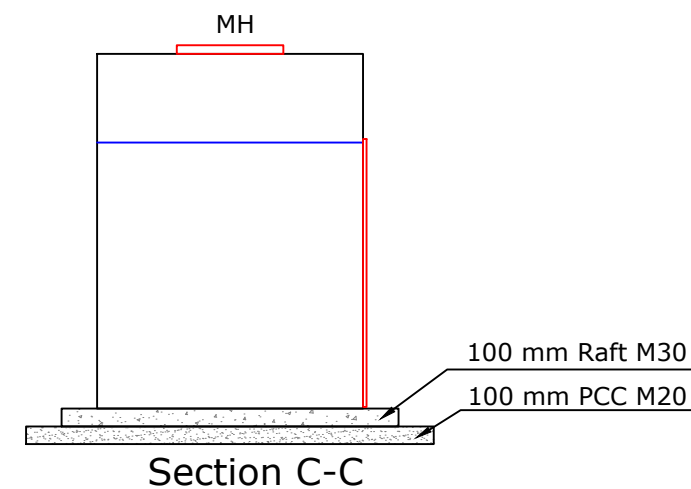
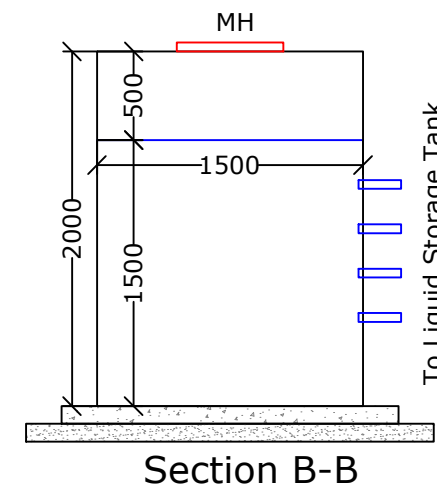
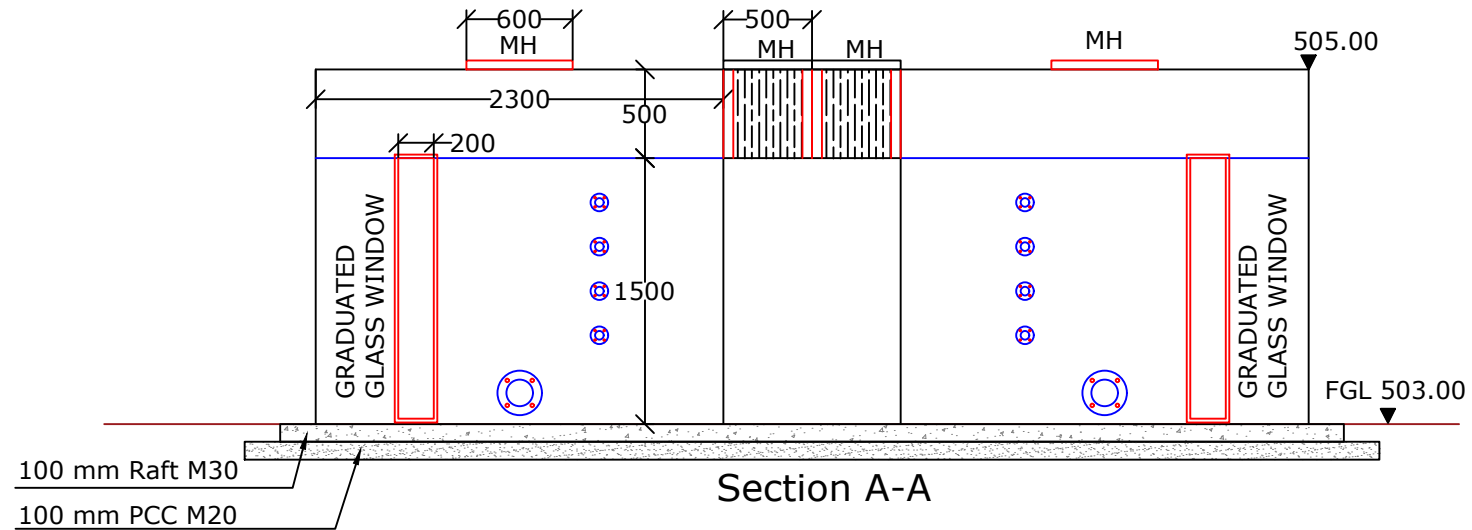
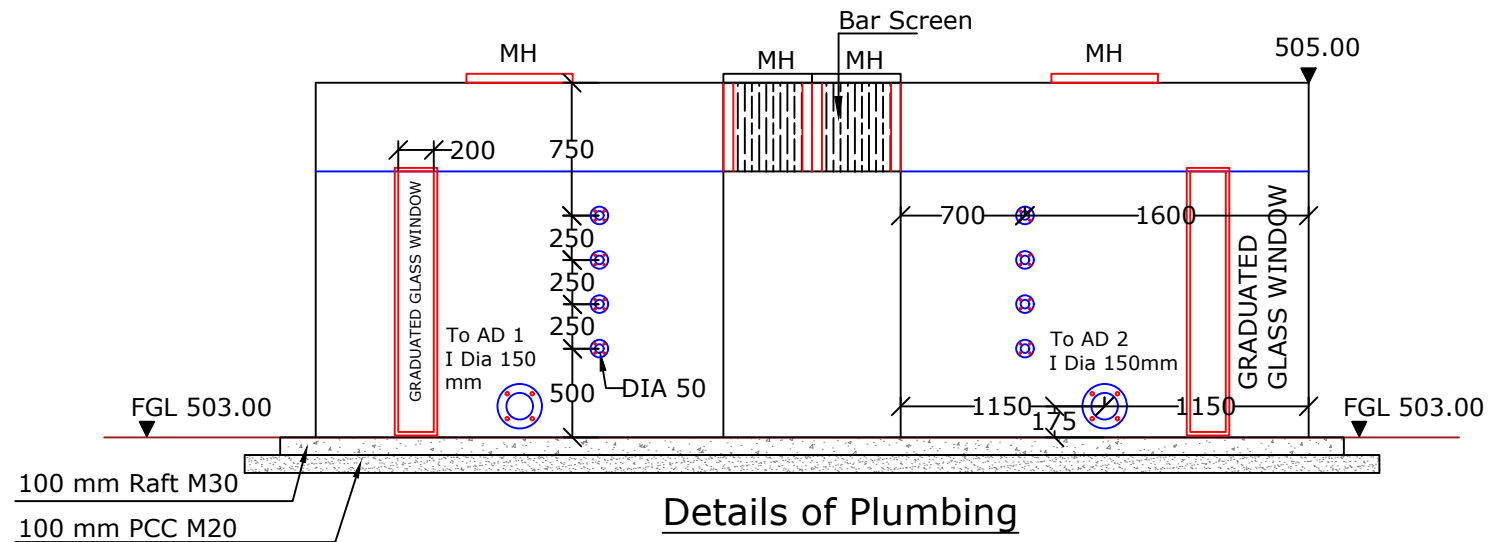
DRAWING NAME:
UNLOADING PLATFORM

PROJECT CODE : ITBF	DRAWING NO : DRW NO-03	DATE: DEC-2019
DRAWN BY : L.D.B.	CHECKED BY : R.M.W.	SCALE : NTS



PRIMOVE INFRASTRUCTURE DEVELOPMENT CONSULTANTS PVT. LTD.
C-3, 304 B, Saudamini Complex Tel : +91 - 20 - 25280201
Bhusari Colony, Paud Road, Fax : +91 - 20 - 25280200
Kothrud, Pune - 411038 Email : info@primoveindia.com
Maharashtra, India. Web : www.primoveindia.com

PROJECT NAME :
FECAL SLUDGE TREATMENT PLANT
AT KALPETTA, KERALA



**DETAILS OF SCREEN CHAMBER AND
SOLID LIQUID SEPARATION TANK**

NOTES

- All dimensions are in 'mm' unless mentioned otherwise.
- All dimensions are to be checked and co-related with the design drawings and structural drawings. Any discrepancy or omission shall be brought to the notice.
- All inner dimensions are excluding plastering in design drawings and including plastering in structural drawings unless otherwise mentioned.
- Use UPVC pipes (25.4mm, 55mm, 110mm & 150 mm dia (1", 2", 4" & 6")) which can withstand pressure of 6kg/cm².
- All BBM walls to be with cement mortar ratio of 1:5 unless otherwise mentioned.
- This drawing is write and property of PriMove is not be produced , copied , handed over to third party or used for any other purpose other than for which it is intended and remain our sole property. this drawing together with any copies made by the recipient shall be returned on demand to us.
- This drawing should be read in conjunction with relevant detailed architectural drawings and design sheets. all dimensions shall be verified on site prior to start of work.

REVISION		
DATE	REMARKS	SIGNATURE
DEC 2019	As Build Drawing	R. M. W.

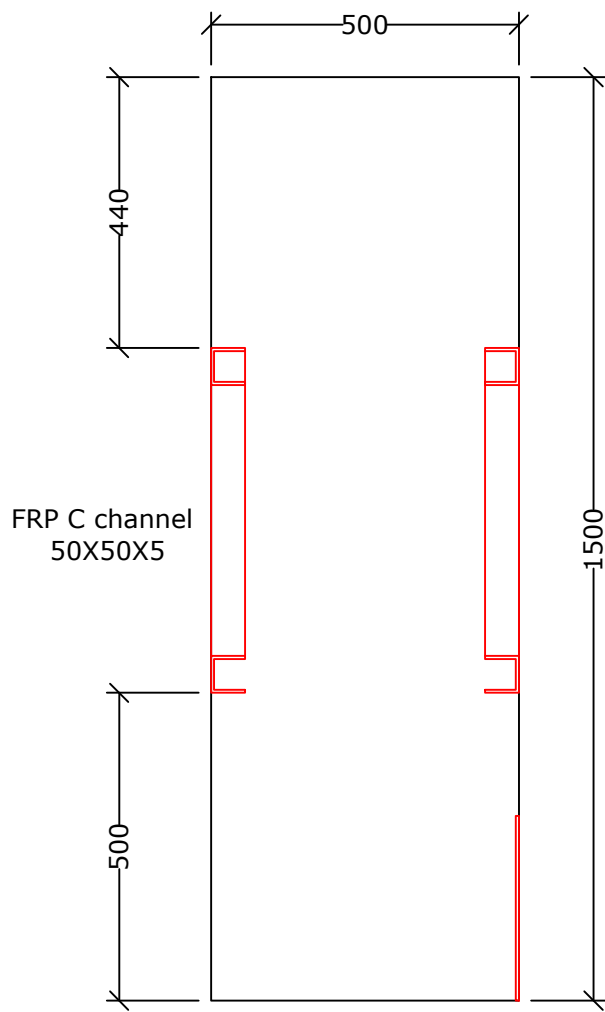
CLIENT : UNICEF INDIA

DRAWING NAME:
**SCREEN CHAMBER AND
SOLID LIQUID SEPARATION TANK**

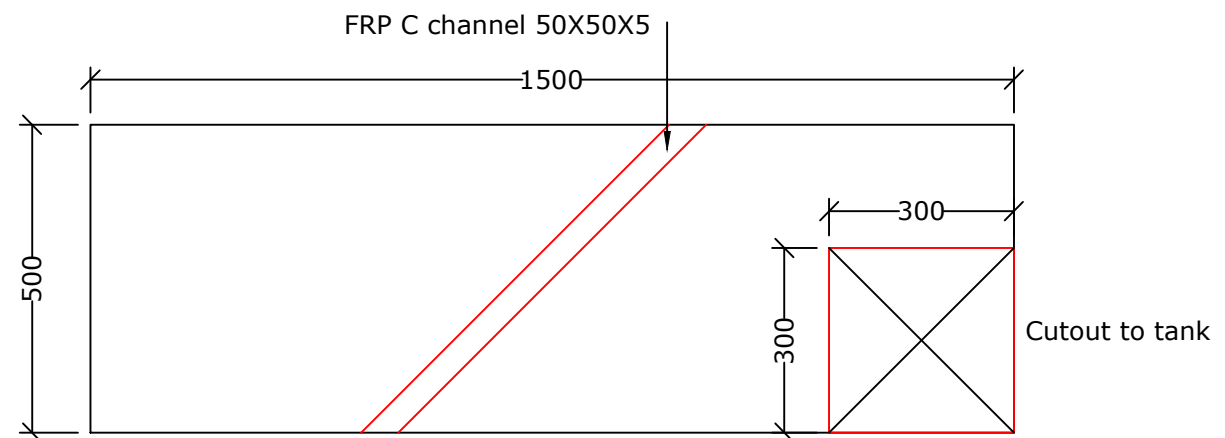
PROJECT CODE : ITBF	DRAWING NO : DRW NO-04/01	DATE: DEC-2019
DRAWN BY : L.D.B.	CHECKED BY : R.M.W.	SCALE : NTS

PRIMOVE
PRIMOVE INFRASTRUCTURE DEVELOPMENT CONSULTANTS PVT. LTD.
C-3, 304 B, Saudamini Complex Tel : +91 - 20 - 25280201
Bhusari Colony, Paud Road, Fax : +91 - 20 - 25280200
Kothrud, Pune - 411038 Email : info@primoveindia.com
Maharashtra, India. Web : www.primoveindia.com

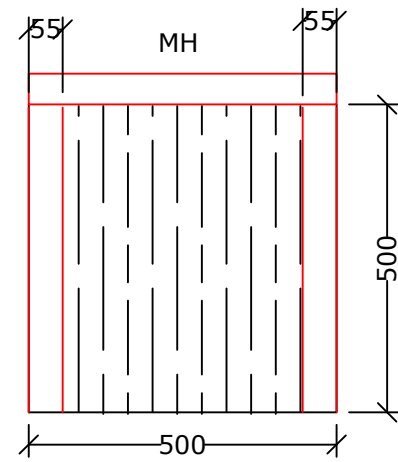
PROJECT NAME :
FECAL SLUDGE TREATMENT PLANT
AT KALPETTA, KERALA



PLAN
Details of Screen Chamber



Side Elevation



Front Elevation

- NOTES**
- All dimensions are in 'mm' unless mentioned otherwise.
 - All dimensions are to be checked and co-related with the design drawings and structural drawings. Any discrepancy or omission shall be brought to the notice.
 - All inner dimensions are excluding plastering in design drawings and including plastering in structural drawings unless otherwise mentioned.
 - Use UPVC pipes (25.4mm, 55mm, 110mm & 150 mm dia (1", 2", 4" & 6")) which can withstand pressure of 6kg/cm².
 - All BBM walls to be with cement mortar ratio of 1:5 unless otherwise mentioned.
 - This drawing is write and property of PriMove is not be produced , copied , handed over to third party or used for any other purpose other than for which it is intended and remain our sole property. this drawing together with any copies made by the recipient shall be returned on demand to us.
 - This drawing should be read in conjunction with relevant detailed architectural drawings and design sheets. all dimensions shall be verified on site prior to start of work.

REVISION		
DATE	REMARKS	SIGNATURE
DEC 2019	As Build Drawing	R. M. W.

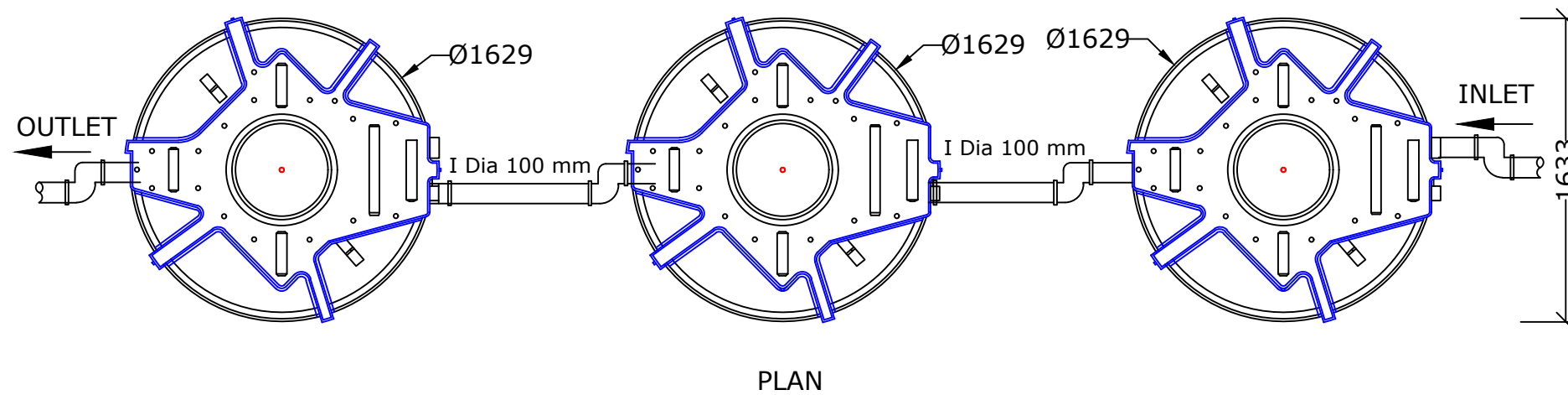
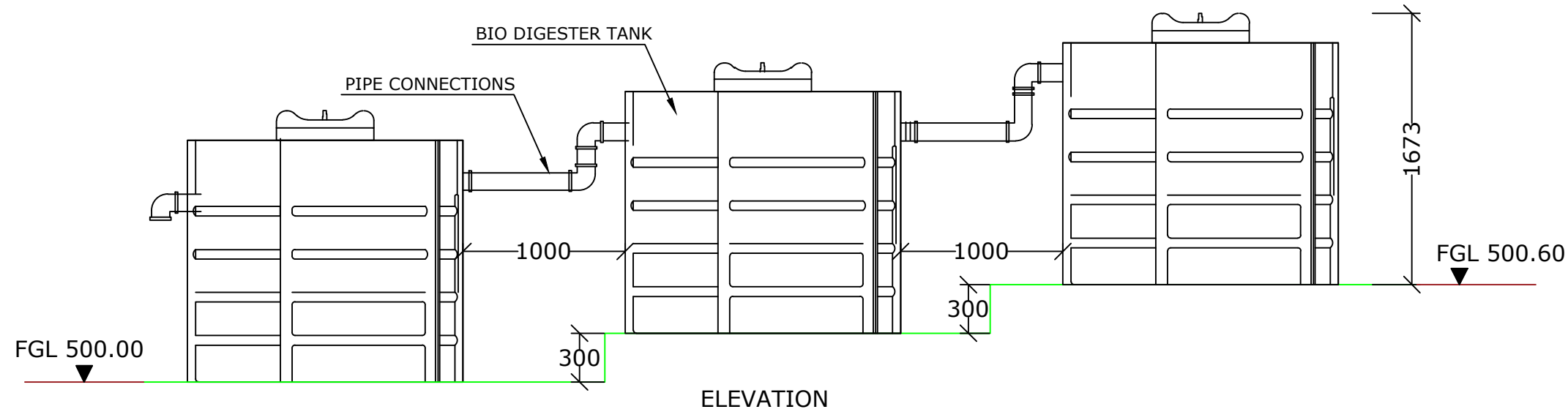
CLIENT : UNICEF INDIA

DRAWING NAME:
SCREEN CHAMBER

PROJECT CODE : ITBF	DRAWING NO : DRW NO-04/02	DATE: DEC-2019
DRAWN BY : L.D.B.	CHECKED BY : R.M.W.	SCALE : NTS

PRIMOVE
PRIMOVE INFRASTRUCTURE DEVELOPMENT CONSULTANTS PVT. LTD.
C-3, 304 B, Saudamini Complex Bhusari Colony, Paud Road, Kothrud, Pune - 411038 Maharashtra, India.
Tel : +91 - 20 - 25280201 Fax : +91 - 20 - 25280200 Email : info@primoveindia.com Web : www.primoveindia.com

PROJECT NAME :
 FECAL SLUDGE TREATMENT PLANT
 AT KALPETTA, KERALA



DETAILS OF ANAEROBIC DIGESTER

NOTES

- All dimensions are in 'mm' unless mentioned otherwise.
- All dimensions are to be checked and co-related with the design drawings and structural drawings. Any discrepancy or omission shall be brought to the notice.
- All inner dimensions are excluding plastering in design drawings and including plastering in structural drawings unless otherwise mentioned.
- Use UPVC pipes (25.4mm, 55mm, 110mm & 150 mm dia (1", 2", 4" & 6")) which can withstand pressure of 6kg/cm².
- All BBM walls to be with cement mortar ratio of 1:5 unless otherwise mentioned.
- This drawing is write and property of PriMove is not be produced , copied , handed over to third party or used for any other purpose other than for which it is intended and remain our sole property. this drawing together with any copies made by the recipient shall be returned on demand to us.
- This drawing should be read in conjunction with relevant detailed architectural drawings and design sheets. all dimensions shall be verified on site prior to start of work.

REVISION

DATE	REMARKS	SIGNATURE
DEC 2019	As Build Drawing	R. M. W.

CLIENT : UNICEF INDIA

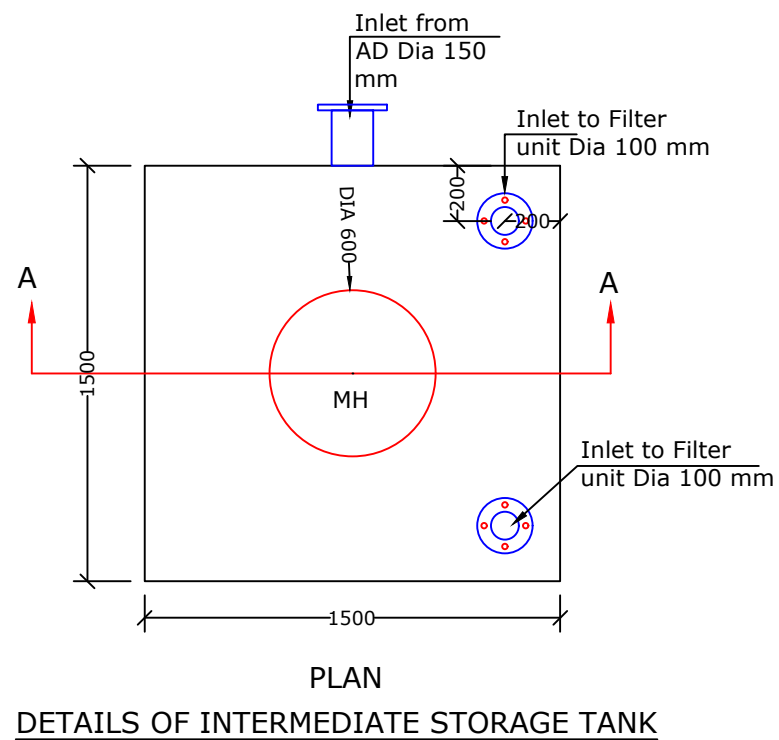
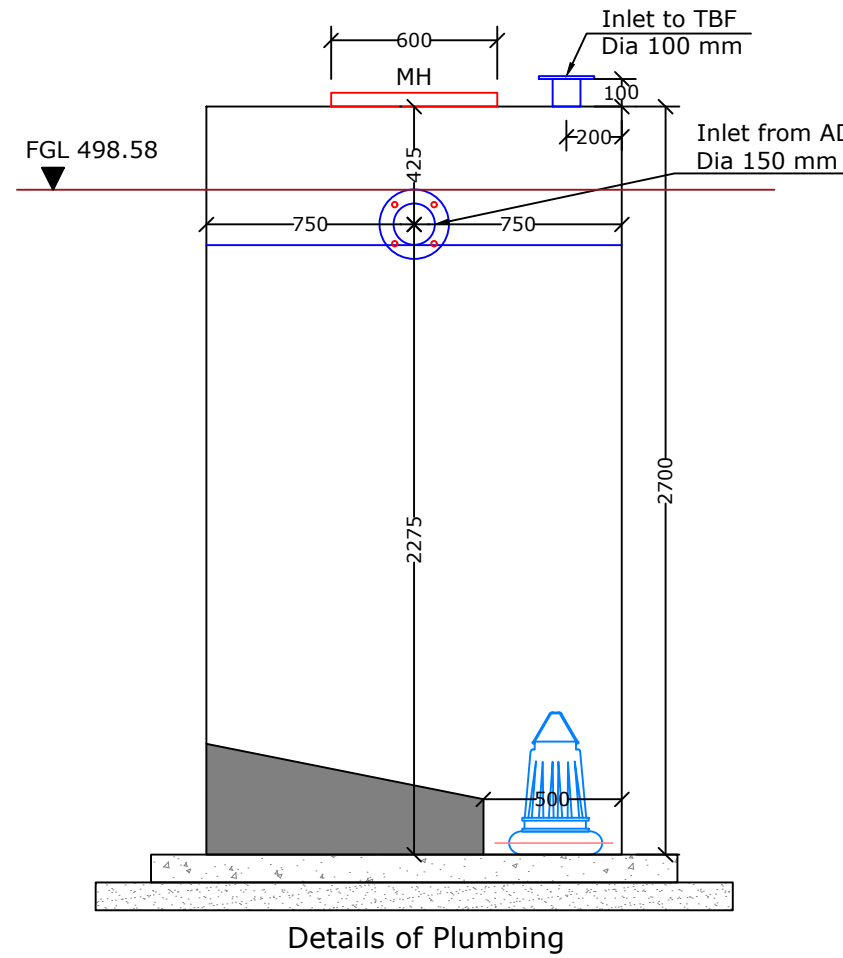
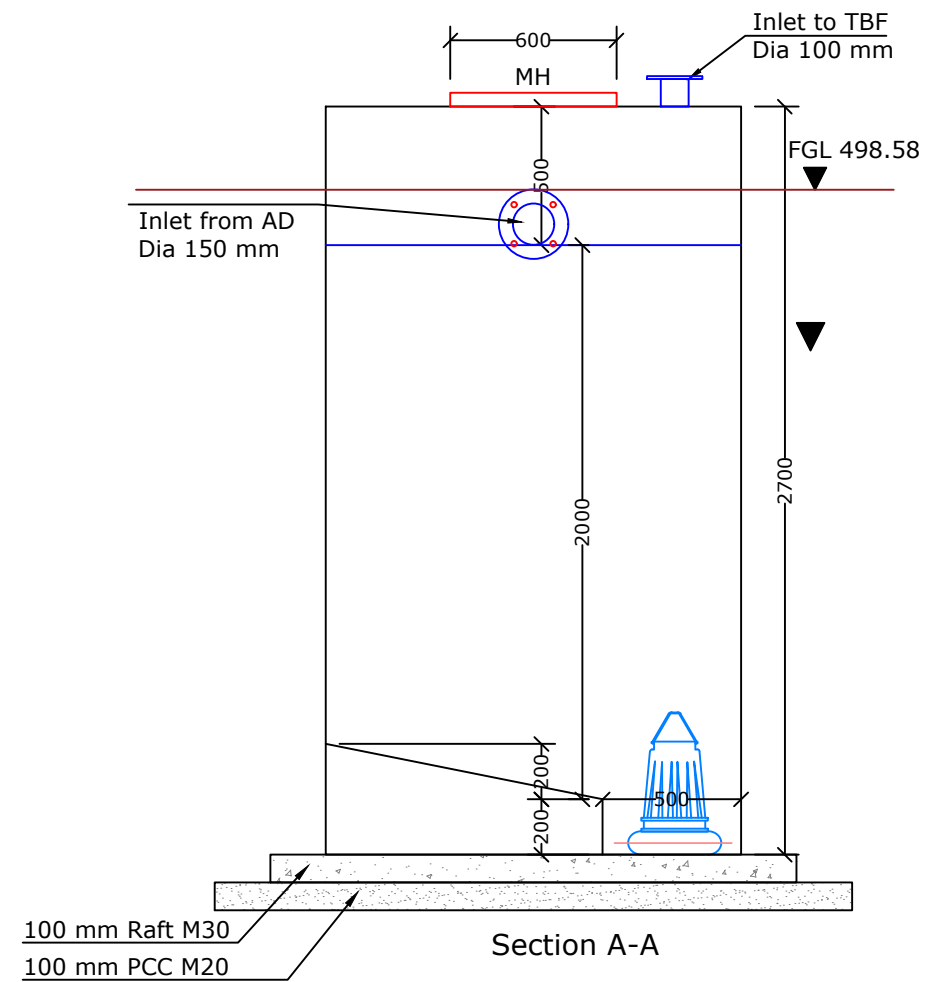
DRAWING NAME:
ANAEROBIC DIGESTER

PROJECT CODE : ITBF	DRAWING NO : DRW NO-05	DATE: DEC-2019
DRAWN BY : L.D.B.	CHECKED BY : R.M.W.	SCALE : NTS



PRiMOVE INFRASTRUCTURE DEVELOPMENT CONSULTANTS PVT. LTD.
 C-3, 304 B, Saudamini Complex Bhusari Colony, Paud Road, Kothrud, Pune - 411038 Maharashtra, India.
 Tel : +91 - 20 - 25280201
 Fax : +91 - 20 - 25280200
 Email : info@primoveindia.com
 Web : www.primoveindia.com

PROJECT NAME :
FECAL SLUDGE TREATMENT PLANT
AT KALPETTA, KERALA



NOTES

- All dimensions are in 'mm' unless mentioned otherwise.
- All dimensions are to be checked and co-related with the design drawings and structural drawings. Any discrepancy or omission shall be brought to the notice.
- All inner dimensions are excluding plastering in design drawings and including plastering in structural drawings unless otherwise mentioned.
- Use UPVC pipes (25.4mm, 55mm, 110mm & 150 mm dia (1", 2", 4" & 6")) which can withstand pressure of 6kg/cm².
- All BBM walls to be with cement mortar ratio of 1:5 unless otherwise mentioned.
- This drawing is write and property of PriMove is not be produced , copied , handed over to third party or used for any other purpose other than for which it is intended and remain our sole property. this drawing together with any copies made by the recipient shall be returned on demand to us.
- This drawing should be read in conjunction with relevant detailed architectural drawings and design sheets. all dimensions shall be verified on site prior to start of work.

REVISION

DATE	REMARKS	SIGNATURE
DEC 2019	As Build Drawing	R. M. W.

CLIENT : UNICEF INDIA

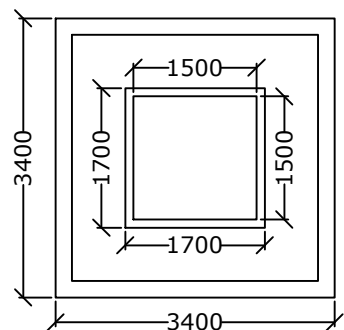
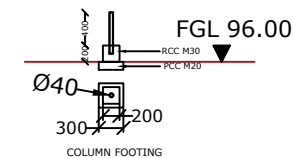
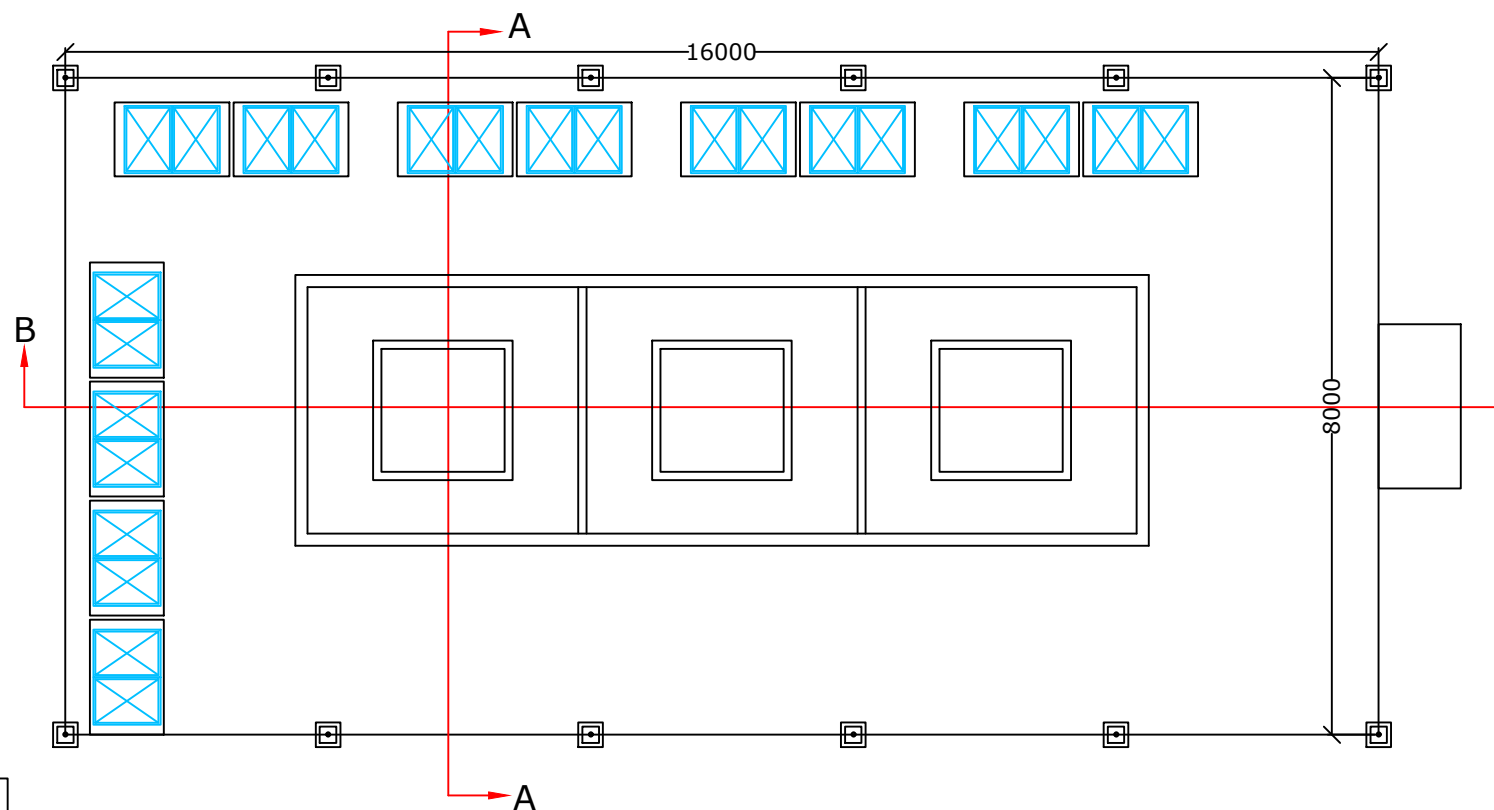
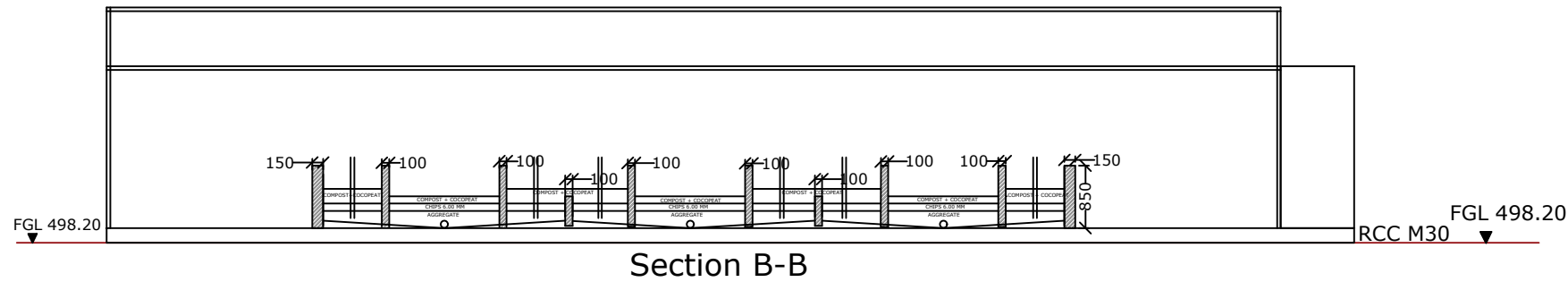
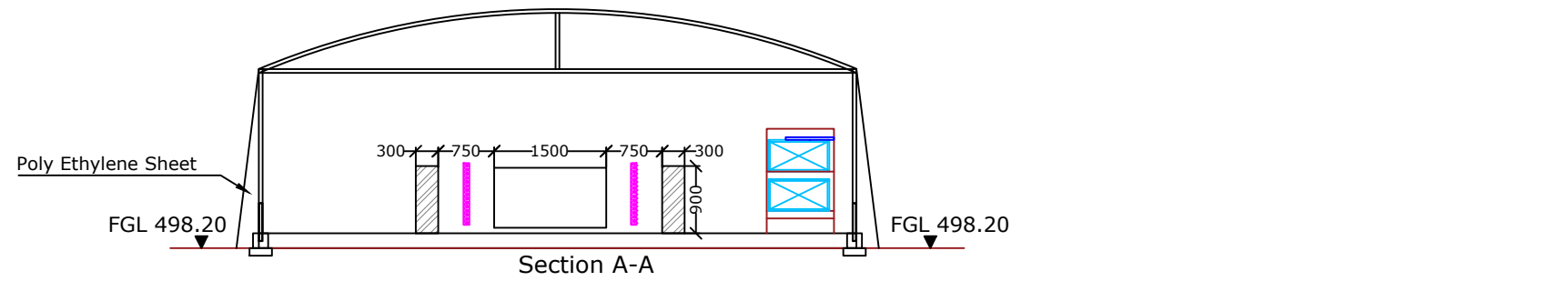
DRAWING NAME:
INTERMEDIATE STORAGE TANK

PROJECT CODE : ITBF	DRAWING NO : DRW NO-06	DATE: DEC-2019
DRAWN BY : L.D.B.	CHECKED BY : R.M.W.	SCALE : NTS



PRiMOVE INFRASTRUCTURE DEVELOPMENT CONSULTANTS PVT. LTD.
C-3, 304 B, Saudamini Complex Bhusari Colony, Paud Road, Kothrud, Pune - 411038 Maharashtra, India. Tel : +91 - 20 - 25280201 Fax : +91 - 20 - 25280200 Email : info@primoveindia.com Web : www.primoveindia.com

PROJECT NAME :
 FECAL SLUDGE TREATMENT PLANT
 AT KALPETTA, KERALA



PLAN
 DETAILS OF TBF I and TBF II

NOTES

- All dimensions are in 'mm' unless mentioned otherwise.
- All dimensions are to be checked and co-related with the design drawings and structural drawings. Any discrepancy or omission shall be brought to the notice.
- All inner dimensions are excluding plastering in design drawings and including plastering in structural drawings unless otherwise mentioned.
- Use UPVC pipes (25.4mm, 55mm, 110mm & 150 mm dia (1", 2", 4" & 6")) which can withstand pressure of 6kg/cm².
- All BBM walls to be with cement mortar ratio of 1:5 unless otherwise mentioned.
- This drawing is write and property of PriMove is not be produced , copied , handed over to third party or used for any other purpose other than for which it is intended and remain our sole property. this drawing together with any copies made by the recipient shall be returned on demand to us.
- This drawing should be read in conjunction with relevant detailed architectural drawings and design sheets. all dimensions shall be verified on site prior to start of work.

REVISION		
DATE	REMARKS	SIGNATURE
DEC 2019	As Build Drawing	R. M. W.

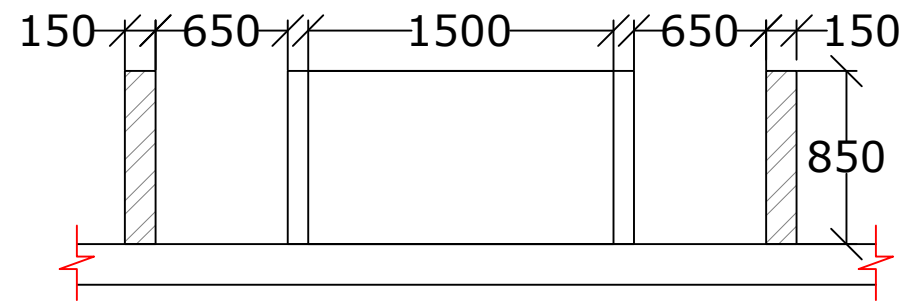
CLIENT : UNICEF INDIA

DRAWING NAME:
 TBF I and TBF II

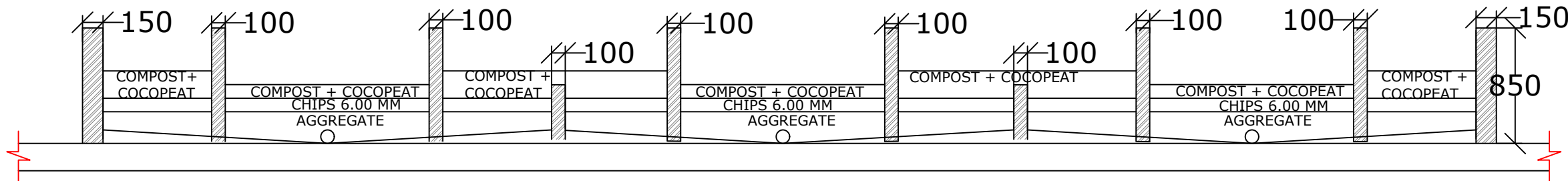
PROJECT CODE : ITBF	DRAWING NO : DRW NO-07/01	DATE: DEC-2019
DRAWN BY : L.D.B.	CHECKED BY : R.M.W.	SCALE : NTS

PRIMOVE
 PRIMOVE INFRASTRUCTURE DEVELOPMENT CONSULTANTS PVT. LTD.
 C-3, 304 B, Saudamini Complex Tel : +91 - 20 - 25280201
 Bhusari Colony, Paud Road, Fax : +91 - 20 - 25280200
 Kothrud, Pune - 411038 Email : info@primoveindia.com
 Maharashtra, India. Web : www.primoveindia.com

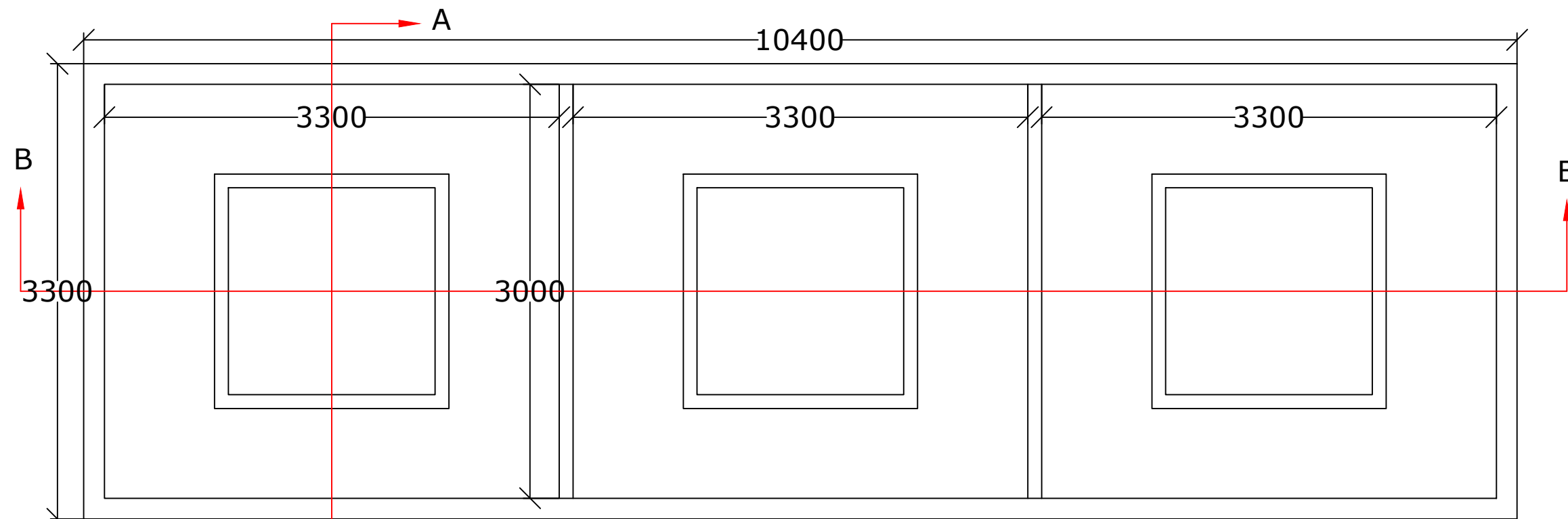
PROJECT NAME :
 FECAL SLUDGE TREATMENT PLANT
 AT KALPETTA, KERALA



Section A-A



Section B-B



PLAN

DETAILS OF TIGER BIO FILTER I

NOTES

- All dimensions are in 'mm' unless mentioned otherwise.
- All dimensions are to be checked and co-related with the design drawings and structural drawings. Any discrepancy or omission shall be brought to the notice.
- All inner dimensions are excluding plastering in design drawings and including plastering in structural drawings unless otherwise mentioned.
- Use UPVC pipes (25.4mm, 55mm, 110mm & 150 mm dia (1", 2", 4" & 6")) which can withstand pressure of 6kg/cm².
- All BBM walls to be with cement mortar ratio of 1:5 unless otherwise mentioned.
- This drawing is write and property of PriMove is not be produced , copied , handed over to third party or used for any other purpose other than for which it is intended and remain our sole property. this drawing together with any copies made by the recipient shall be returned on demand to us.
- This drawing should be read in conjunction with relevant detailed architectural drawings and design sheets. all dimensions shall be verified on site prior to start of work.

REVISION		
DATE	REMARKS	SIGNATURE
DEC 2019	As Build Drawing	R. M. W.

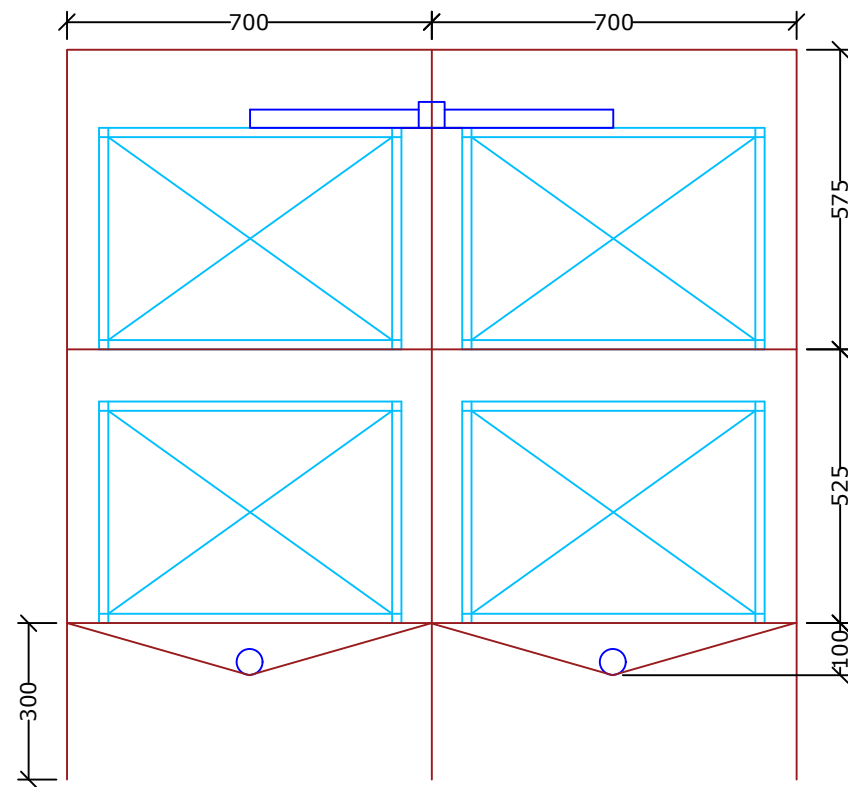
CLIENT : UNICEF INDIA

DRAWING NAME:
 PLANT LAYOUT

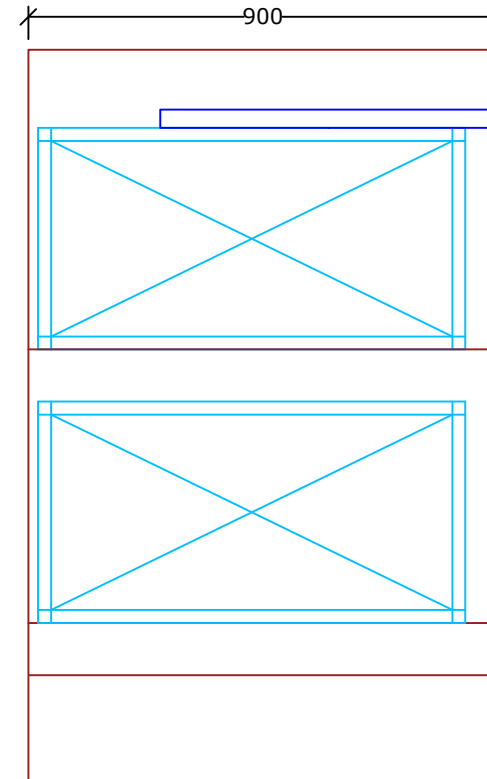
PROJECT CODE : ITBF	DRAWING NO : DRW NO-07/02	DATE: DEC-2019
DRAWN BY : L.D.B.	CHECKED BY : R.M.W.	SCALE : NTS

PRIMOVE
 PRIMOVE INFRASTRUCTURE DEVELOPMENT CONSULTANTS PVT. LTD.
 C-3, 304 B, Saudamini Complex Bhusari Colony, Paud Road, Kothrud, Pune - 411038 Maharashtra, India.
 Tel : +91 - 20 - 25280201
 Fax : +91 - 20 - 25280200
 Email : info@primoveindia.com
 Web : www.primoveindia.com

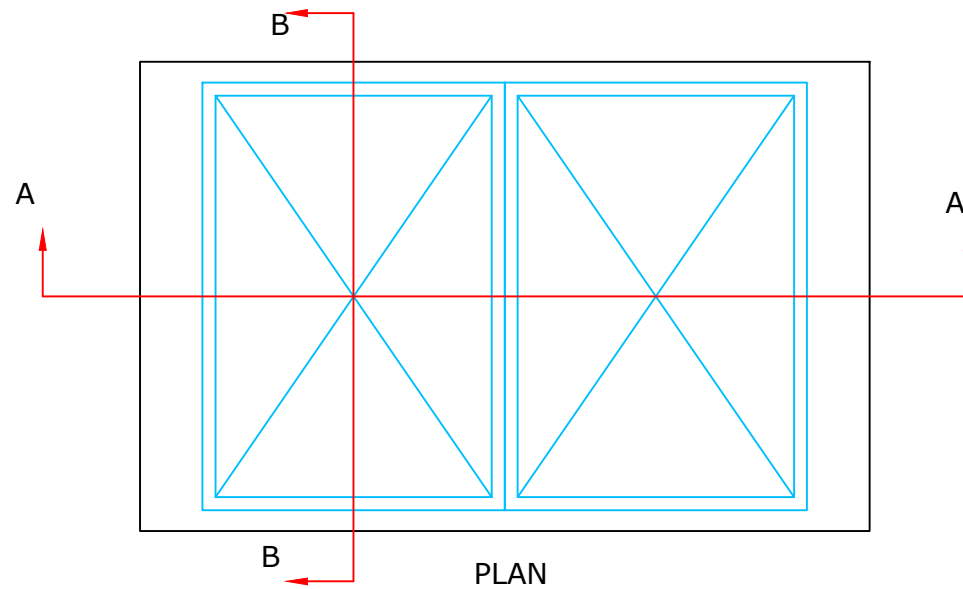
PROJECT NAME :
 FECAL SLUDGE TREATMENT PLANT
 AT KALPETTA, KERALA



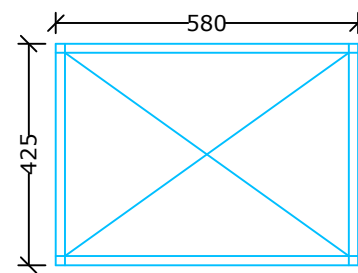
SECTION A-A



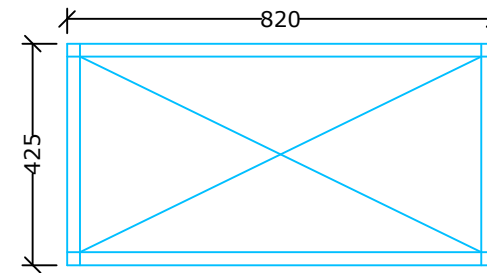
SECTION B-B



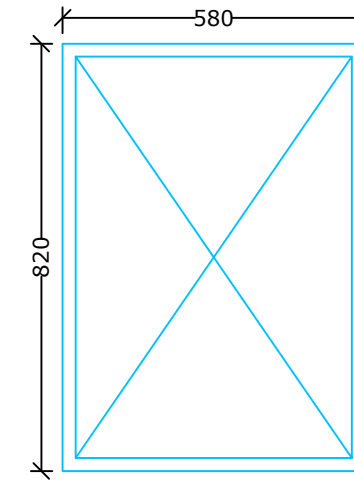
PLAN



SIDE VIEW



SIDE VIEW



PLAN

DETAILS OF TBF II

NOTES

- All dimensions are in 'mm' unless mentioned otherwise.
- All dimensions are to be checked and co-related with the design drawings and structural drawings. Any discrepancy or omission shall be brought to the notice.
- All inner dimensions are excluding plastering in design drawings and including plastering in structural drawings unless otherwise mentioned.
- Use UPVC pipes (25.4mm, 55mm, 110mm & 150 mm dia (1", 2", 4" & 6")) which can withstand pressure of 6kg/cm².
- All BBM walls to be with cement mortar ratio of 1:5 unless otherwise mentioned.
- This drawing is write and property of PriMove is not be produced , copied , handed over to third party or used for any other purpose other than for which it is intended and remain our sole property. this drawing together with any copies made by the recipient shall be returned on demand to us.
- This drawing should be read in conjunction with relevant detailed architectural drawings and design sheets. all dimensions shall be verified on site prior to start of work.

REVISION

DATE	REMARKS	SIGNATURE
DEC 2019	As Build Drawing	R. M. W.

CLIENT : UNICEF INDIA

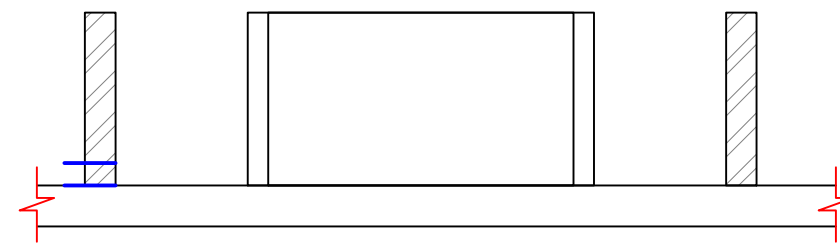
DRAWING NAME:
 PLANT LAYOUT

PROJECT CODE : TBF	DRAWING NO : DRW NO-07/03	DATE: DEC-2019
DRAWN BY : L.D.B.	CHECKED BY : R.M.W.	SCALE : NTS

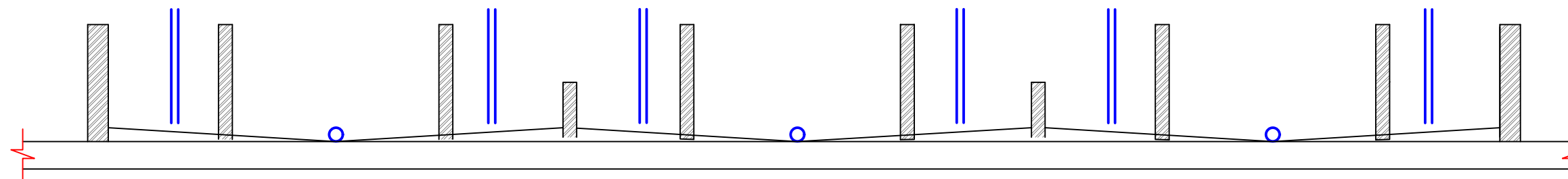


PRiMOVE INFRASTRUCTURE DEVELOPMENT CONSULTANTS PVT. LTD.
 C-3, 304 B, Saudamini Complex Tel : +91 - 20 - 25280201
 Bhusari Colony, Paud Road, Fax : +91 - 20 - 25280200
 Kothrud, Pune - 411038 Email : info@primoveindia.com
 Maharashtra, India. Web : www.primoveindia.com

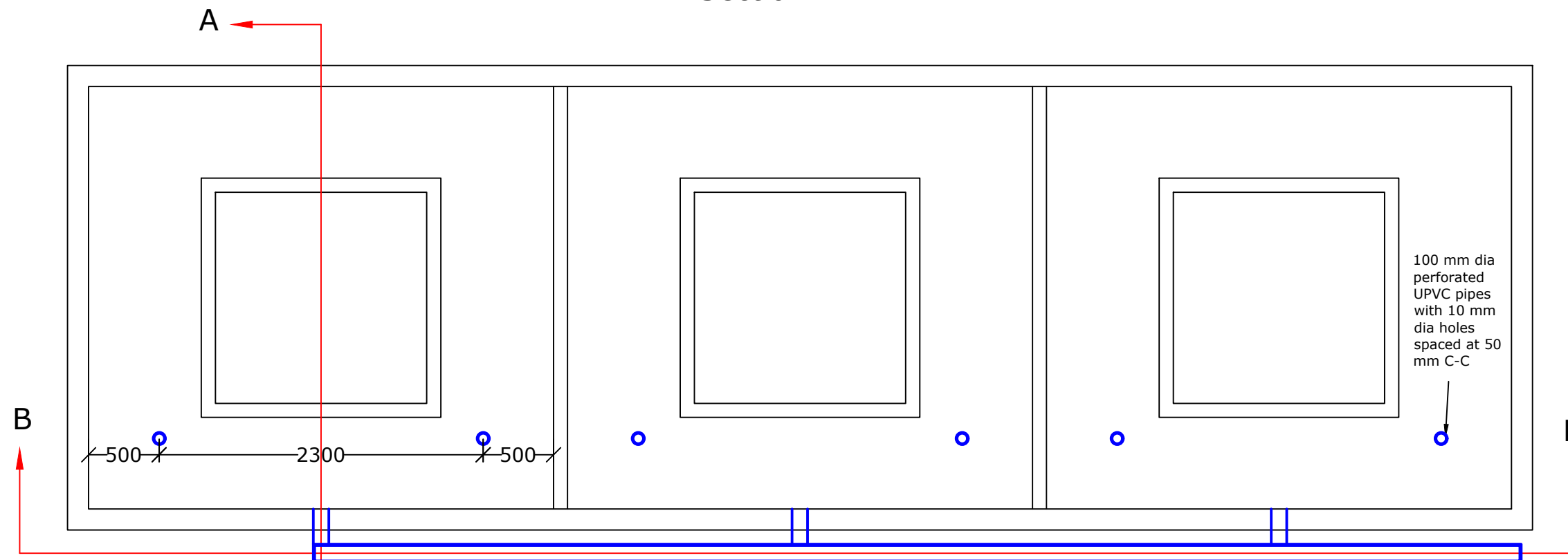
PROJECT NAME :
 FECAL SLUDGE TREATMENT PLANT
 AT KALPETTA, KERALA



Section A-A



Section B-B



PLAN

DETAILS OF COLLECTION NETWORK

NOTES

- All dimensions are in 'mm' unless mentioned otherwise.
- All dimensions are to be checked and co-related with the design drawings and structural drawings. Any discrepancy or omission shall be brought to the notice.
- All inner dimensions are excluding plastering in design drawings and including plastering in structural drawings unless otherwise mentioned.
- Use UPVC pipes (25.4mm, 55mm, 110mm & 150 mm dia (1", 2", 4" & 6")) which can withstand pressure of 6kg/cm².
- All BBM walls to be with cement mortar ratio of 1:5 unless otherwise mentioned.
- This drawing is write and property of PriMove is not be produced , copied , handed over to third party or used for any other purpose other than for which it is intended and remain our sole property. this drawing together with any copies made by the recipient shall be returned on demand to us.
- This drawing should be read in conjunction with relevant detailed architectural drawings and design sheets. all dimensions shall be verified on site prior to start of work.

REVISION

DATE	REMARKS	SIGNATURE
DEC 2019	As Build Drawing	R. M. W.

CLIENT : UNICEF INDIA

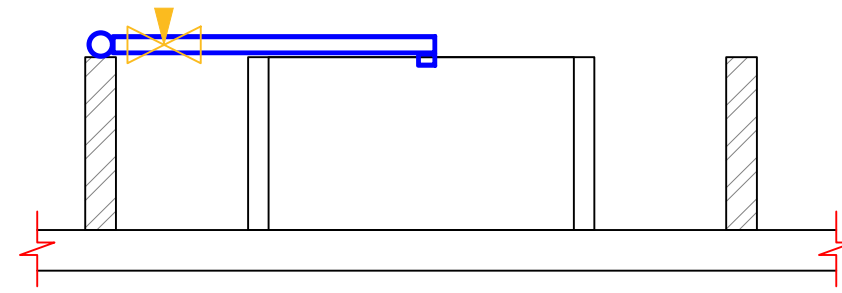
DRAWING NAME:
 PLANT LAYOUT

PROJECT CODE : ITBF	DRAWING NO : DRW NO-07/04	DATE: DEC-2019
DRAWN BY : L.D.B.	CHECKED BY : R.M.W.	SCALE : NTS

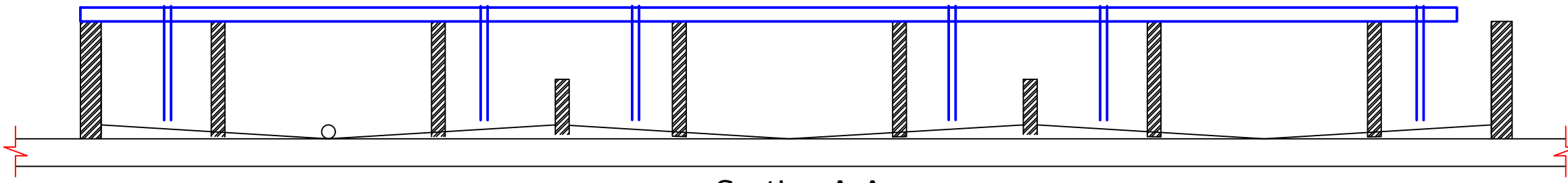


PRIMOVE INFRASTRUCTURE DEVELOPMENT CONSULTANTS PVT. LTD.
 C-3, 304 B, Saudamini Complex Tel : +91 - 20 - 25280201
 Bhusari Colony, Paud Road, Fax : +91 - 20 - 25280200
 Kothrud, Pune - 411038 Email : info@primoveindia.com
 Maharashtra, India. Web : www.primoveindia.com

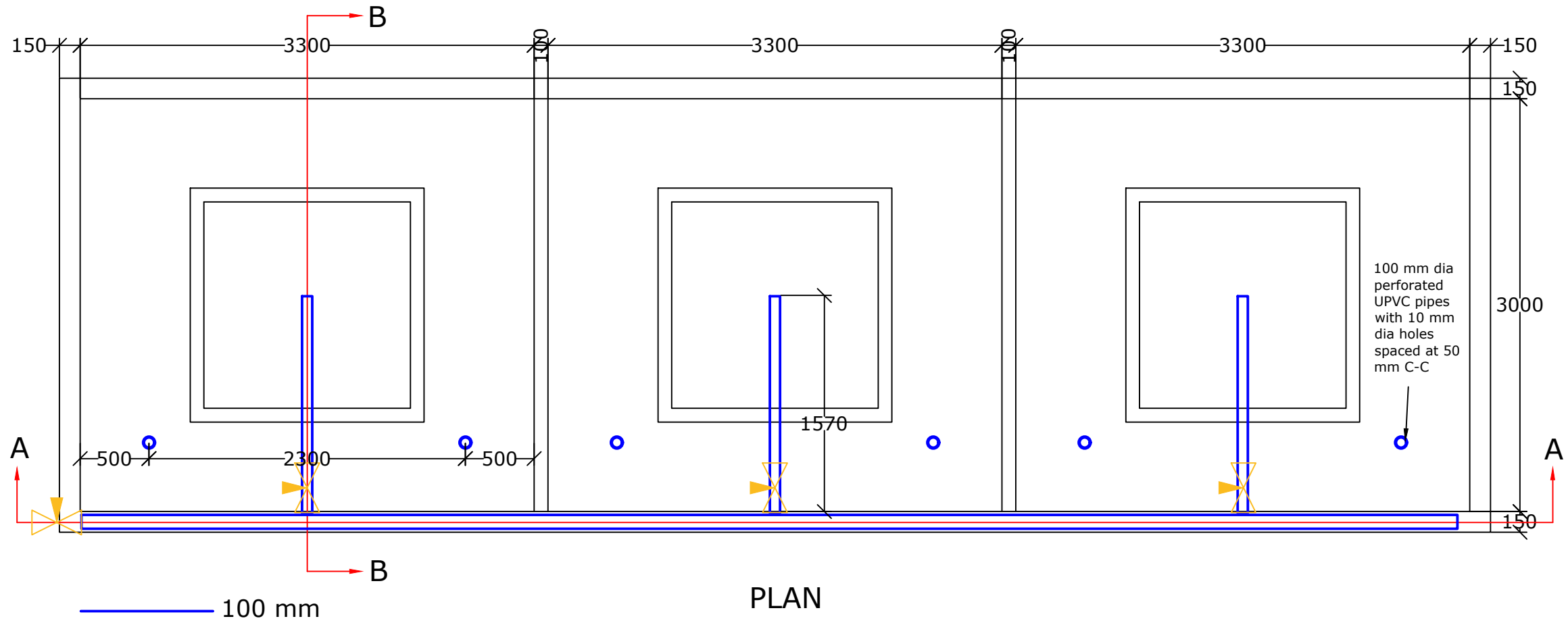
PROJECT NAME :
 FECAL SLUDGE TREATMENT PLANT
 AT KALPETTA, KERALA



Section B-B



Section A-A



PLAN

PLUMBING DETAILS OF DISTRIBUTION NETWORK

NOTES

- All dimensions are in 'mm' unless mentioned otherwise.
- All dimensions are to be checked and co-related with the design drawings and structural drawings. Any discrepancy or omission shall be brought to the notice.
- All inner dimensions are excluding plastering in design drawings and including plastering in structural drawings unless otherwise mentioned.
- Use UPVC pipes (25.4mm, 55mm, 110mm & 150 mm dia (1", 2", 4" & 6")) which can withstand pressure of 6kg/cm².
- All BBM walls to be with cement mortar ratio of 1:5 unless otherwise mentioned.
- This drawing is write and property of PriMove is not be produced , copied , handed over to third party or used for any other purpose other than for which it is intended and remain our sole property. this drawing together with any copies made by the recipient shall be returned on demand to us.
- This drawing should be read in conjunction with relevant detailed architectural drawings and design sheets. all dimensions shall be verified on site prior to start of work.

REVISION

DATE	REMARKS	SIGNATURE
DEC 2019	As Build Drawing	R. M. W.

CLIENT : UNICEF INDIA

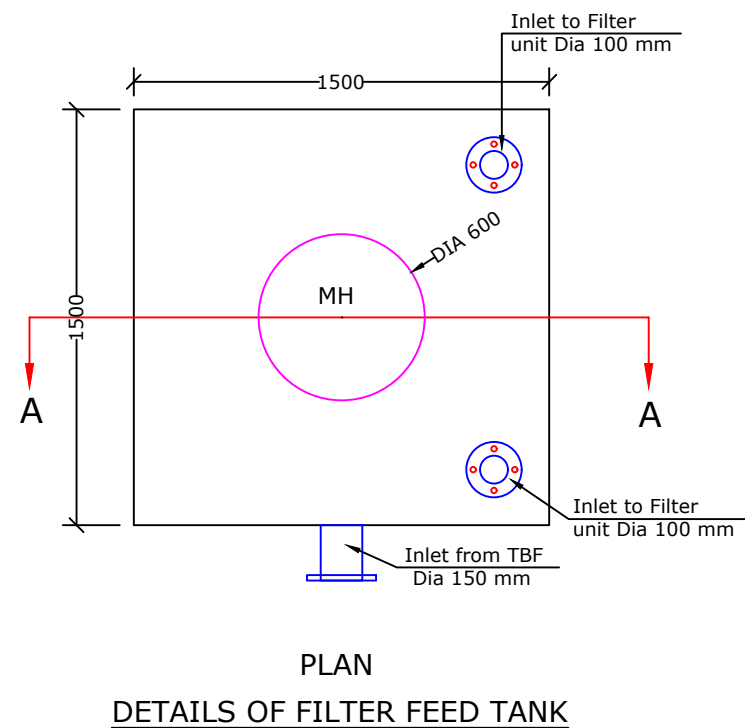
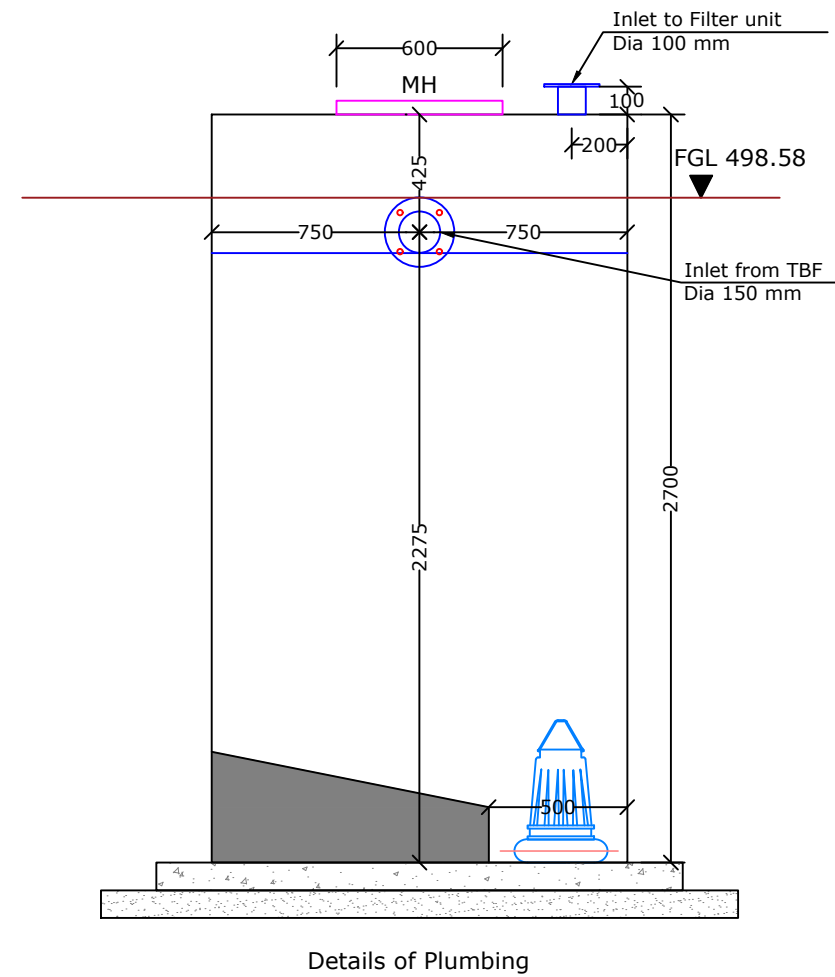
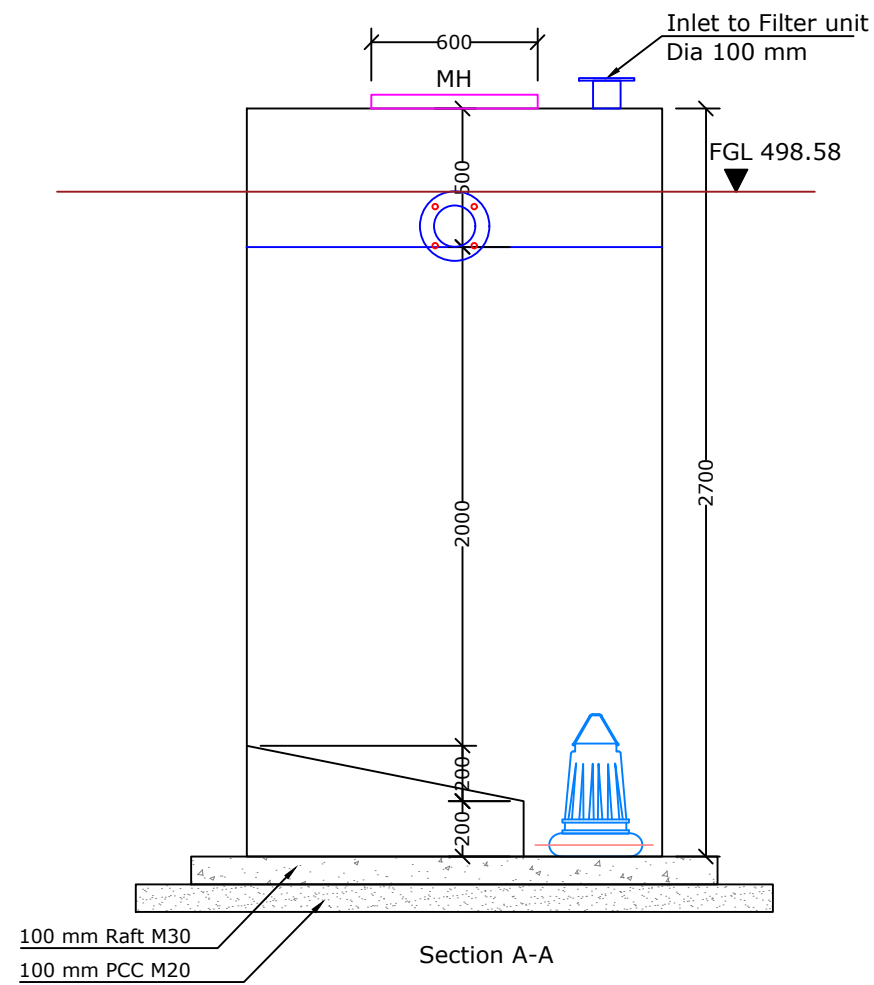
DRAWING NAME:
 DISTRIBUTION NETWORK

PROJECT CODE : ITBF	DRAWING NO : DRW NO-07/05	DATE: DEC-2019
DRAWN BY : L.D.B.	CHECKED BY : R.M.W.	SCALE : NTS



PRiMOVE INFRASTRUCTURE DEVELOPMENT CONSULTANTS PVT. LTD.
 C-3, 304 B, Saudamini Complex Bhusari Colony, Paud Road, Kothrud, Pune - 411038 Maharashtra, India.
 Tel : +91 - 20 - 25280201
 Fax : +91 - 20 - 25280200
 Email : info@primoveindia.com
 Web : www.primoveindia.com

PROJECT NAME :
FECAL SLUDGE TREATMENT PLANT
AT KALPETTA, KERALA



NOTES

- All dimensions are in 'mm' unless mentioned otherwise.
- All dimensions are to be checked and co-related with the design drawings and structural drawings. Any discrepancy or omission shall be brought to the notice.
- All inner dimensions are excluding plastering in design drawings and including plastering in structural drawings unless otherwise mentioned.
- Use UPVC pipes (25.4mm, 55mm, 110mm & 150 mm dia (1", 2", 4" & 6")) which can withstand pressure of 6kg/cm².
- All BBM walls to be with cement mortar ratio of 1:5 unless otherwise mentioned.
- This drawing is write and property of PriMove is not be produced , copied , handed over to third party or used for any other purpose other than for which it is intended and remain our sole property. this drawing together with any copies made by the recipient shall be returned on demand to us.
- This drawing should be read in conjunction with relevant detailed architectural drawings and design sheets. all dimensions shall be verified on site prior to start of work.

REVISION

DATE	REMARKS	SIGNATURE
DEC 2019	As Build Drawing	R. M. W.

CLIENT : UNICEF INDIA

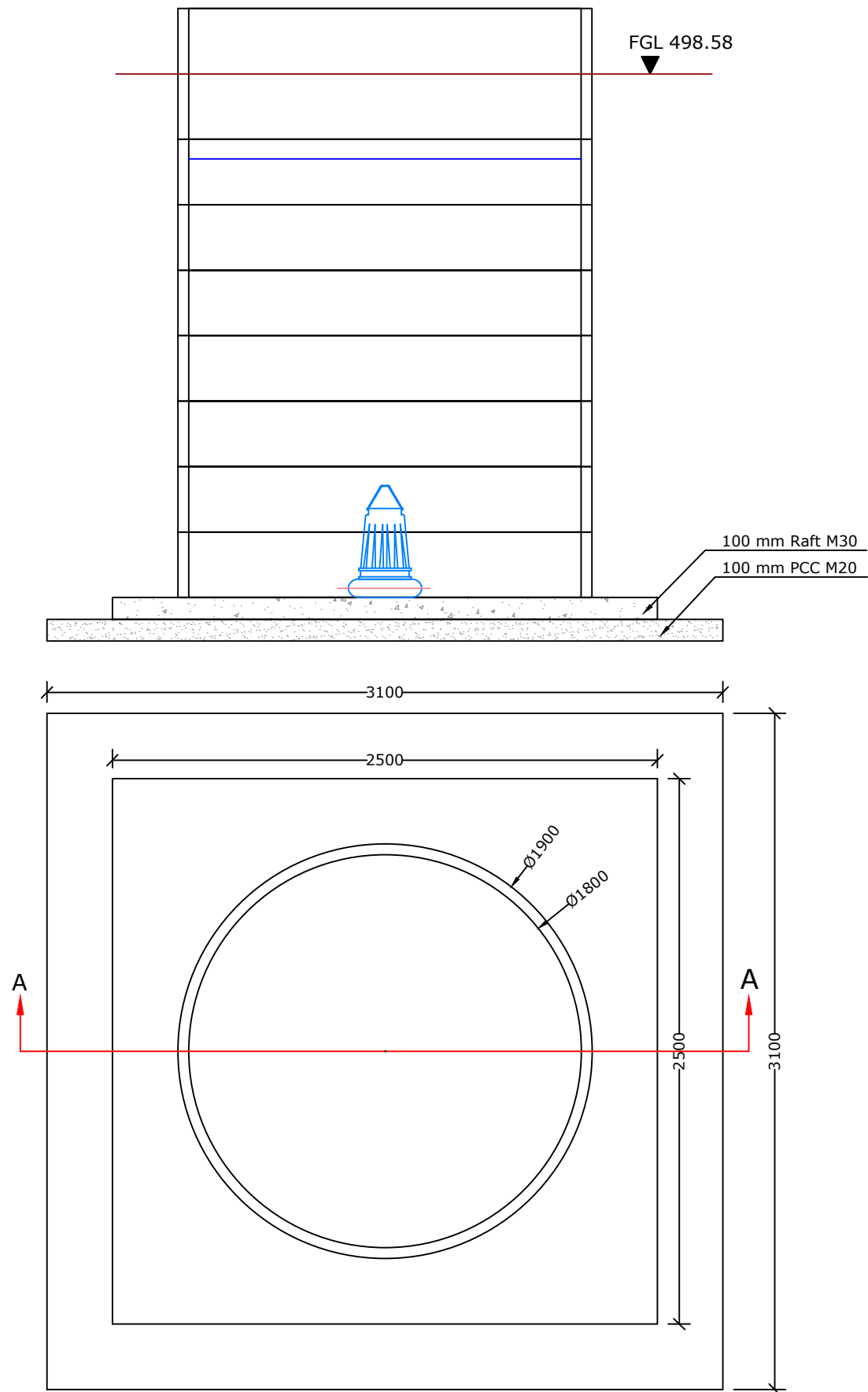
DRAWING NAME:
FILTER FEED TANK

PROJECT CODE : ITBF	DRAWING NO : DRW NO-08	DATE: DEC-2019
DRAWN BY : L.D.B.	CHECKED BY : R.M.W.	SCALE : NTS

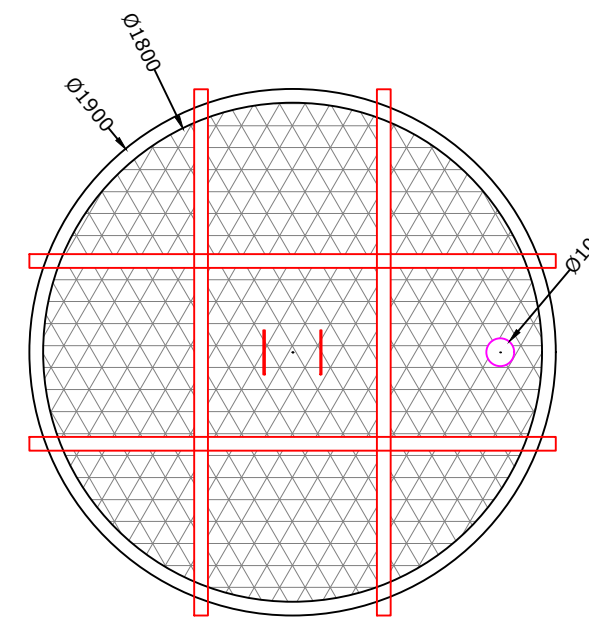


PRiMOVE INFRASTRUCTURE DEVELOPMENT CONSULTANTS PVT. LTD.
C-3, 304 B, Saudamini Complex Tel : +91 - 20 - 25280201
Bhusari Colony, Paud Road, Fax : +91 - 20 - 25280200
Kothrud, Pune - 411038 Email : info@primoveindia.com
Maharashtra, India. Web : www.primoveindia.com

PROJECT NAME :
 FECAL SLUDGE TREATMENT PLANT
 AT KALPETTA, KERALA



PLAN
 DETAILS OF TREATED WATER TANK



Tank cover fabrication details

NOTES

- All dimensions are in 'mm' unless mentioned otherwise.
- All dimensions are to be checked and co-related with the design drawings and structural drawings. Any discrepancy or omission shall be brought to the notice.
- All inner dimensions are excluding plastering in design drawings and including plastering in structural drawings unless otherwise mentioned.
- Use UPVC pipes (25.4mm, 55mm, 110mm & 150 mm dia (1", 2", 4" & 6")) which can withstand pressure of 6kg/cm².
- All BBM walls to be with cement mortar ratio of 1:5 unless otherwise mentioned.
- This drawing is write and property of PriMove is not be produced , copied , handed over to third party or used for any other purpose other than for which it is intended and remain our sole property. this drawing together with any copies made by the recipient shall be returned on demand to us.
- This drawing should be read in conjunction with relevant detailed architectural drawings and design sheets. all dimensions shall be verified on site prior to start of work.

REVISION

DATE	REMARKS	SIGNATURE
DEC 2019	As Build Drawing	R. M. W.

CLIENT : UNICEF INDIA

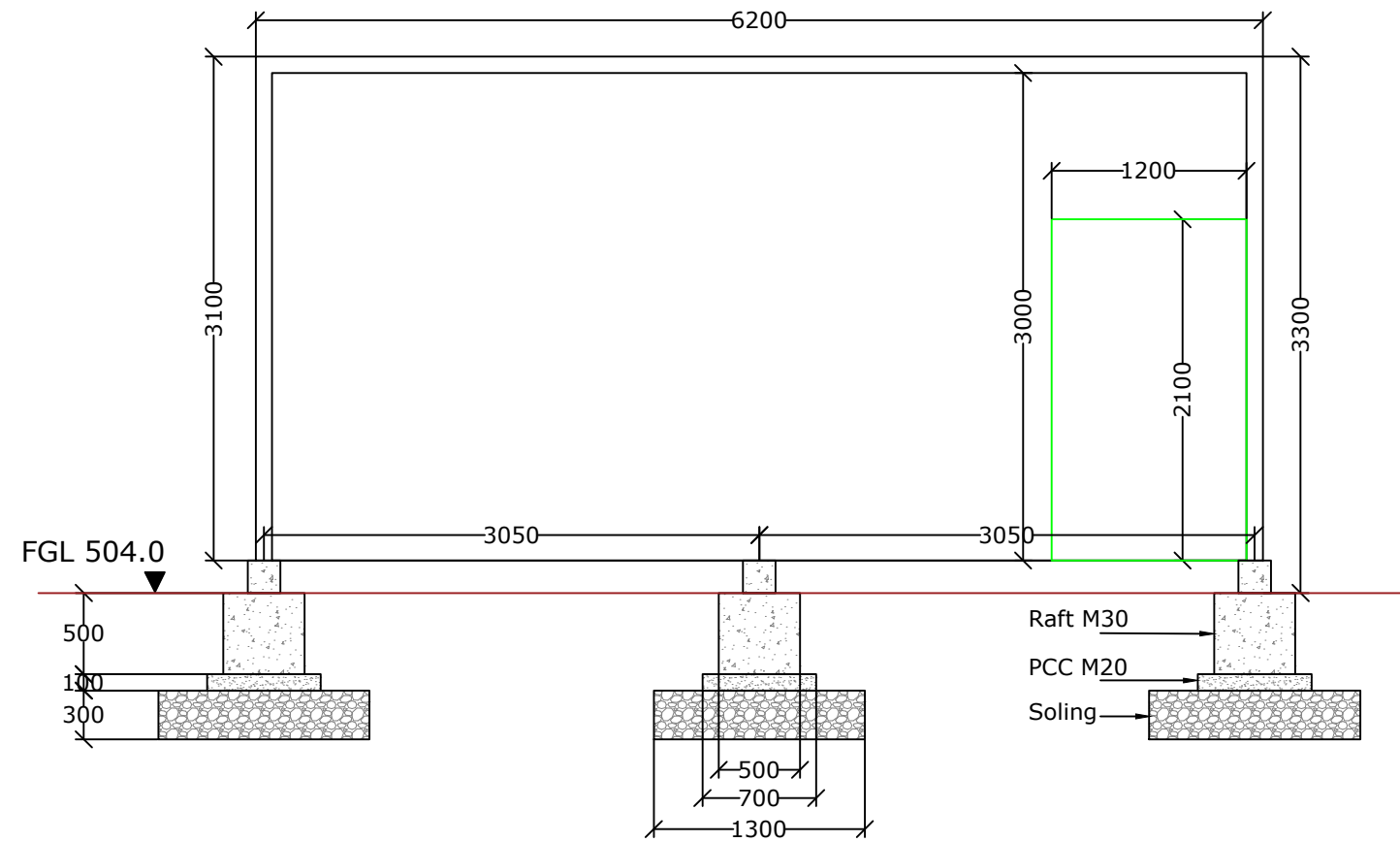
DRAWING NAME:
 TREATED WATER TANK

PROJECT CODE : ITBF	DRAWING NO : DRW NO-09	DATE: DEC-2019
DRAWN BY : L.D.B.	CHECKED BY : R.M.W.	SCALE : NTS

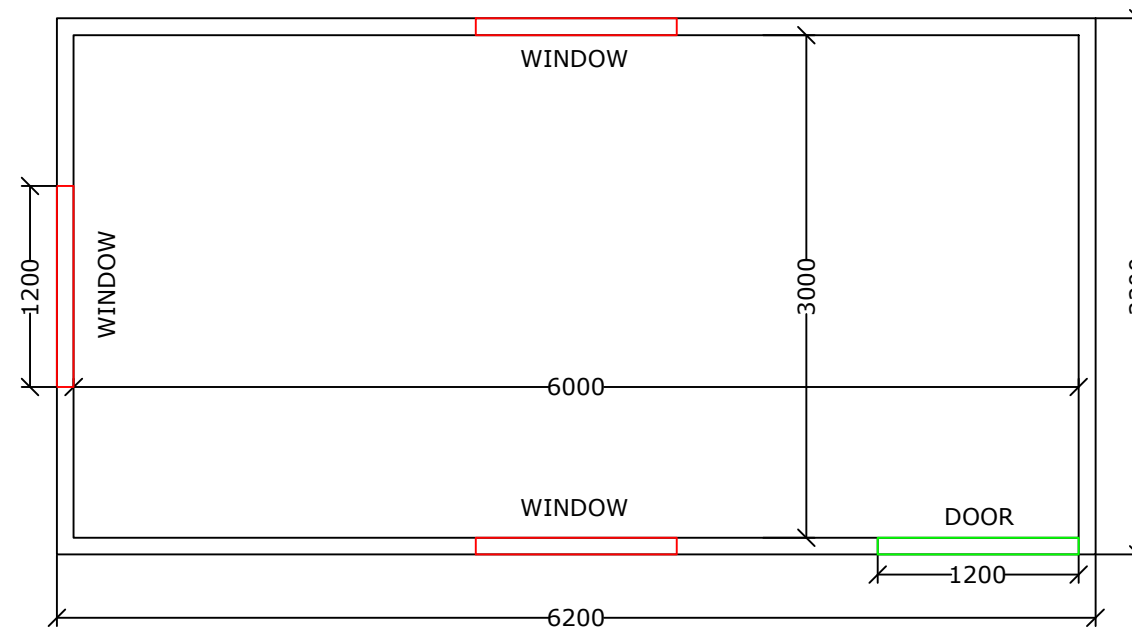


PRIMOVE INFRASTRUCTURE DEVELOPMENT CONSULTANTS PVT. LTD.
 C-3, 304 B, Saudamini Complex Tel : +91 - 20 - 25280201
 Bhusari Colony, Paud Road, Fax : +91 - 20 - 25280200
 Kothrud, Pune - 411038 Email : info@primoveindia.com
 Maharashtra, India. Web : www.primoveindia.com

PROJECT NAME :
 FECAL SLUDGE TREATMENT PLANT
 AT KALPETTA, KERALA



ELEVATION



PLAN
 Office cum Admin Room

NOTES

- All dimensions are in 'mm' unless mentioned otherwise.
- All dimensions are to be checked and co-related with the design drawings and structural drawings. Any discrepancy or omission shall be brought to the notice.
- All inner dimensions are excluding plastering in design drawings and including plastering in structural drawings unless otherwise mentioned.
- Use UPVC pipes (25.4mm, 55mm, 110mm & 150 mm dia (1", 2", 4" & 6")) which can withstand pressure of 6kg/cm².
- All BBM walls to be with cement mortar ratio of 1:5 unless otherwise mentioned.
- This drawing is write and property of PriMove is not be produced , copied , handed over to third party or used for any other purpose other than for which it is intended and remain our sole property. this drawing together with any copies made by the recipient shall be returned on demand to us.
- This drawing should be read in conjunction with relevant detailed architectural drawings and design sheets. all dimensions shall be verified on site prior to start of work.

REVISION

DATE	REMARKS	SIGNATURE
DEC 2019	As Build Drawing	R. M. W.

CLIENT : UNICEF INDIA

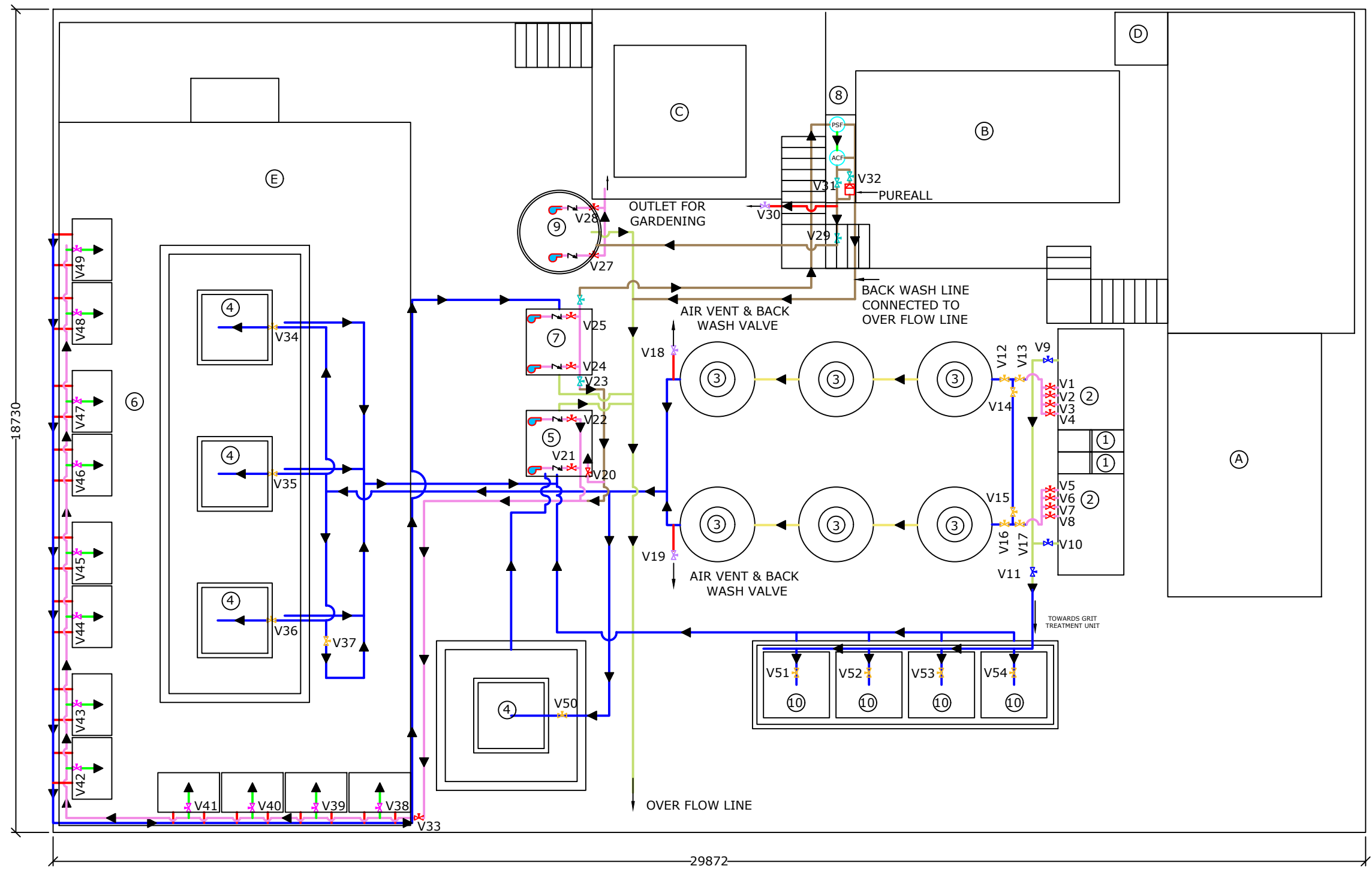
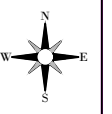
DRAWING NAME:
 OFFICE CUM ADMIN ROOM

PROJECT CODE : ITBF	DRAWING NO : DRW NO-10	DATE: DEC-2019
DRAWN BY : L.D.B.	CHECKED BY : R.M.W.	SCALE : NTS



PRiMOVE INFRASTRUCTURE DEVELOPMENT CONSULTANTS PVT. LTD.
 C-3, 304 B, Saudamini Complex Tel : +91 - 20 - 25280201
 Bhusari Colony, Paud Road, Fax : +91 - 20 - 25280200
 Kothrud, Pune - 411038 Email : info@primoveindia.com
 Maharashtra, India. Web : www.primoveindia.com

PROJECT NAME :
FECAL SLUDGE TREATMENT PLANT
AT KALPETTA, KERALA



PLAN

- NOTES**
- All dimensions are in 'mm' unless mentioned otherwise.
 - All dimensions are to be checked and co-related with the design drawings and structural drawings. Any discrepancy or omission shall be brought to the notice.
 - All inner dimensions are excluding plastering in design drawings and including plastering in structural drawings unless otherwise mentioned.
 - Use UPVC pipes (25.4mm, 55mm, 110mm & 150 mm dia (1", 2", 4" & 6")) which can withstand pressure of 6kg/cm².
 - All BBM walls to be with cement mortar ratio of 1:5 unless otherwise mentioned.
 - This drawing is write and property of PriMove is not be produced , copied , handed over to third party or used for any other purpose other than for which it is intended and remain our sole property. this drawing together with any copies made by the recipient shall be returned on demand to us.
 - This drawing should be read in conjunction with relevant detailed architectural drawings and design sheets. all dimensions shall be verified on site prior to start of work.

REVISION		
DATE	REMARKS	SIGNATURE
DEC 2019	As Build Drawing	R. M. W.

CLIENT : UNICEF INDIA

DRAWING NAME:
PLANT LAYOUT

PROJECT CODE : TBF	DRAWING NO : DRW NO-11	DATE: DEC-2019
DRAWN BY : L.D.B.	CHECKED BY : R.M.W.	SCALE : NTS

PIPE Details		
Sr. No	Code	Dia
1		25 mm (u PVC)
2		40 mm (u PVC)
3		50 mm (u PVC)
4		18.5 mm (u PVC)
5		100 mm (u PVC)
6		150 mm (u PVC)
7		100 mm (PVC)

PARTICULARS		
Sr. No	Code	Dia
1		25 mm (BALL VALVE)
2		40 mm (BALL VALVE)
3		50 mm (BALL VALVE)
4		18.5 mm (BALL VALVE)
5		100 mm (BALL VALVE)
6		150 mm (KNIFE GATE VALVE)
7		50 mm NRV
8		PUMP
9		PURALL (Chlorinator)
10		Filter

PRIMOVE
PRIMOVE INFRASTRUCTURE DEVELOPMENT CONSULTANTS PVT. LTD.
C-3, 304 B, Saudamini Complex Tel : +91 - 20 - 25280201
Bhusari Colony, Paud Road, Fax : +91 - 20 - 25280200
Kothrud, Pune - 411038 Email : info@primoveindia.com
Maharashtra, India. Web : www.primoveindia.com

PROJECT NAME :
FECAL SLUDGE TREATMENT PLANT
AT KALPETTA, KERALA



NOTES

- All dimensions are in 'mm' unless mentioned otherwise.
- All dimensions are to be checked and co-related with the design drawings and structural drawings. Any discrepancy or omission shall be brought to the notice.
- All inner dimensions are excluding plastering in design drawings and including plastering in structural drawings unless otherwise mentioned.
- Use UPVC pipes (25.4mm, 55mm, 110mm & 150 mm dia (1", 2", 4" & 6")) which can withstand pressure of 6kg/cm².
- All BBM walls to be with cement mortar ratio of 1:5 unless otherwise mentioned.
- This drawing is write and property of PriMove is not be produced , copied , handed over to third party or used for any other purpose other than for which it is intended and remain our sole property. this drawing together with any copies made by the recipient shall be returned on demand to us.
- This drawing should be read in conjunction with relevant detailed architectural drawings and design sheets. all dimensions shall be verified on site prior to start of work.

REVISION

DATE	REMARKS	SIGNATURE
DEC 2019	As Build Drawing	R. M. W.

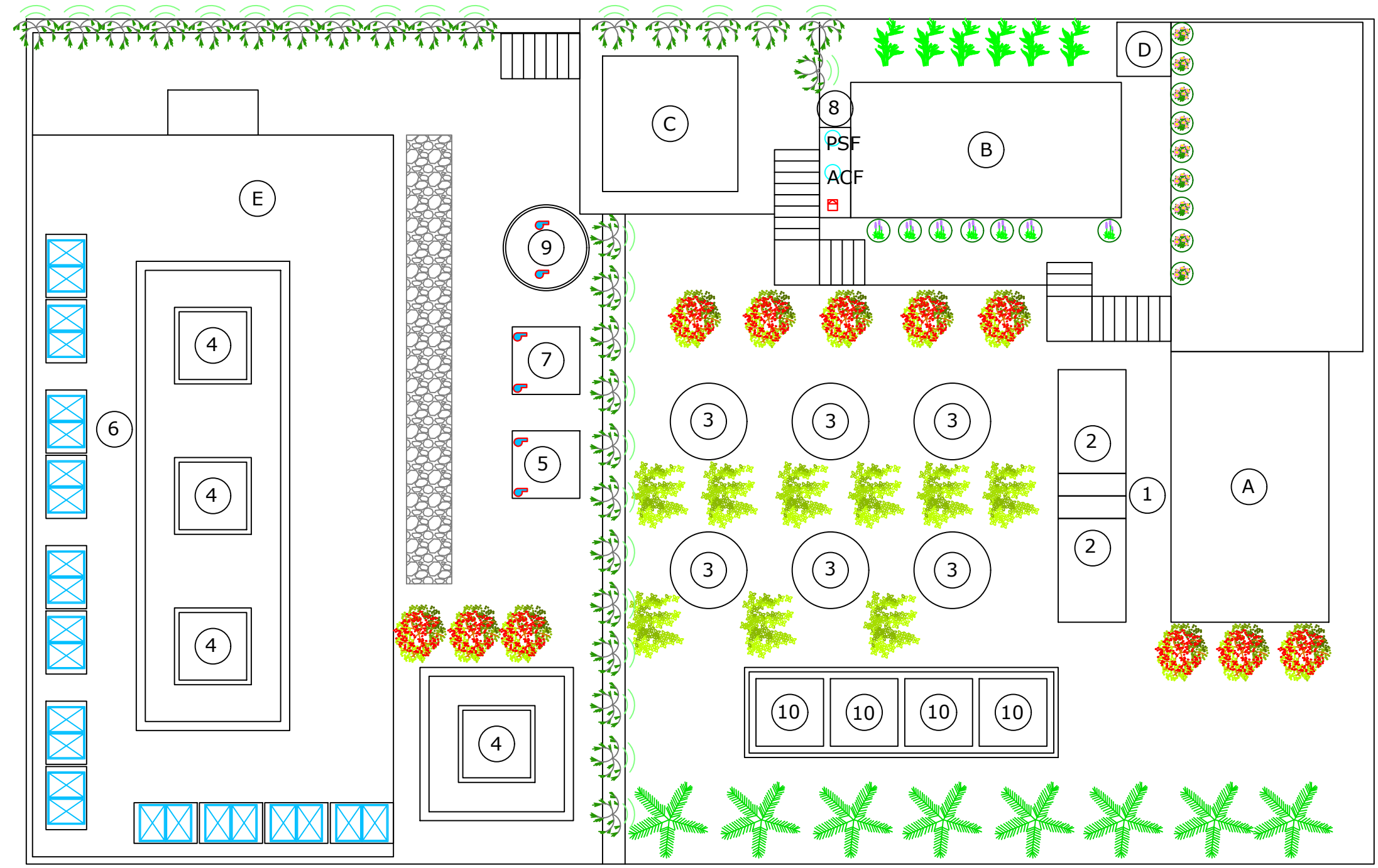
CLIENT : UNICEF INDIA

DRAWING NAME:
PLANT LAYOUT

PROJECT CODE : TBF	DRAWING NO : DRW NO-12	DATE: DEC-2019
DRAWN BY : L.D.B.	CHECKED BY : R.M.W.	SCALE : NTS



PRiMOVE INFRASTRUCTURE DEVELOPMENT CONSULTANTS PVT. LTD.
C-3, 304 B, Saudamini Complex Bhusari Colony, Paud Road, Kothrud, Pune - 411038 Maharashtra, India.
Tel : +91 - 20 - 25280201 Fax : +91 - 20 - 25280200 Email : info@primoveindia.com Web : www.primoveindia.com



PLAN