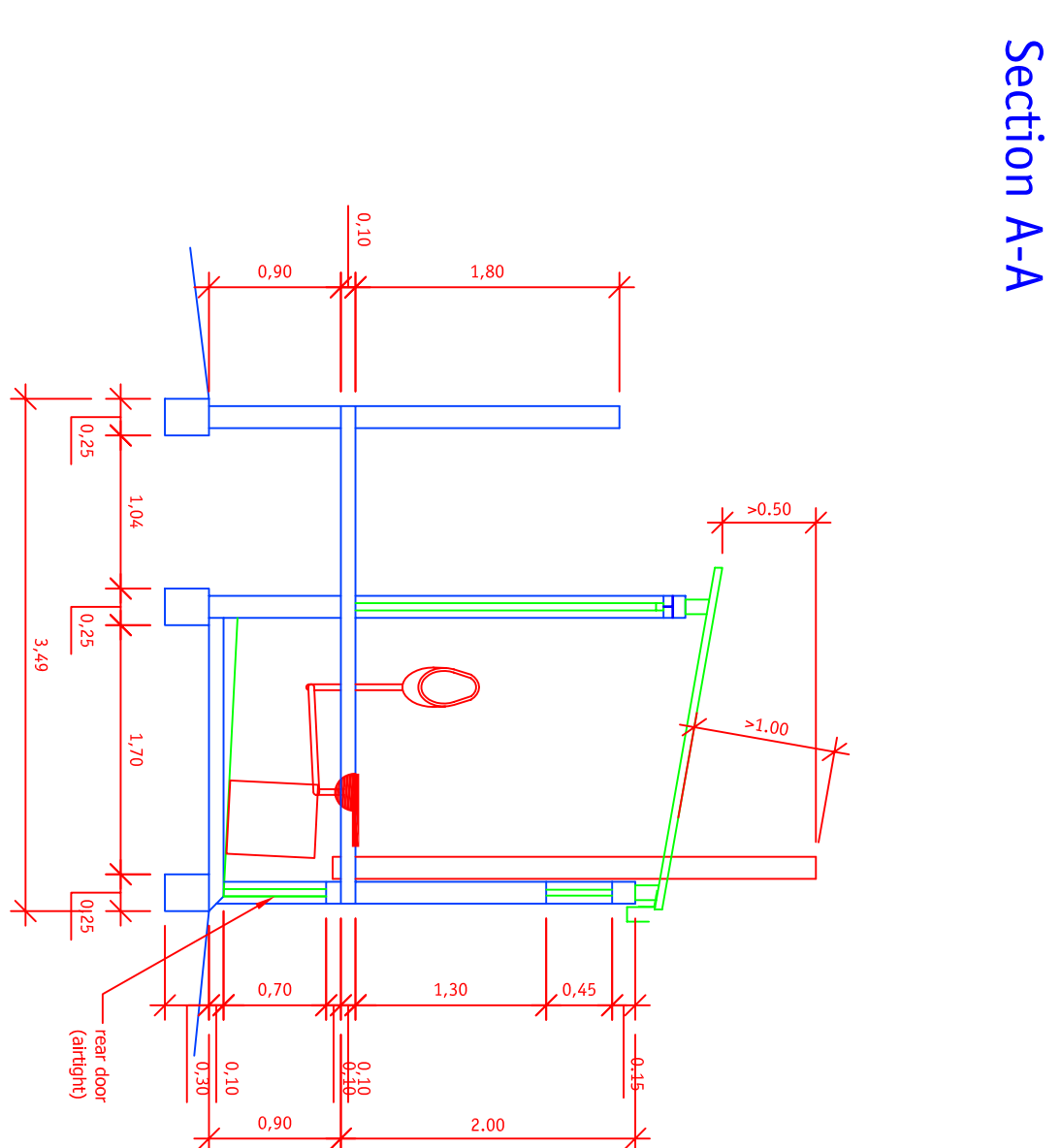
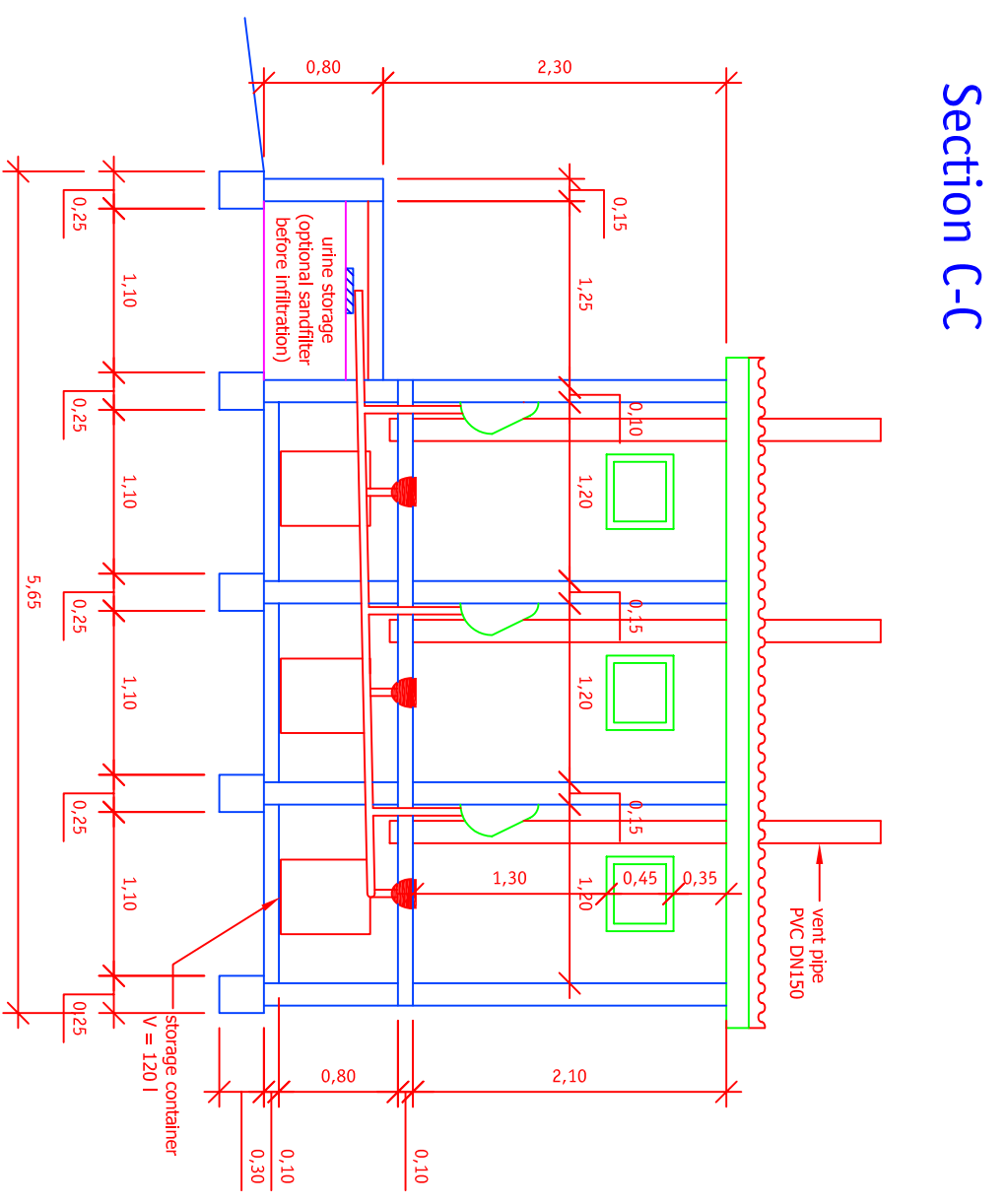


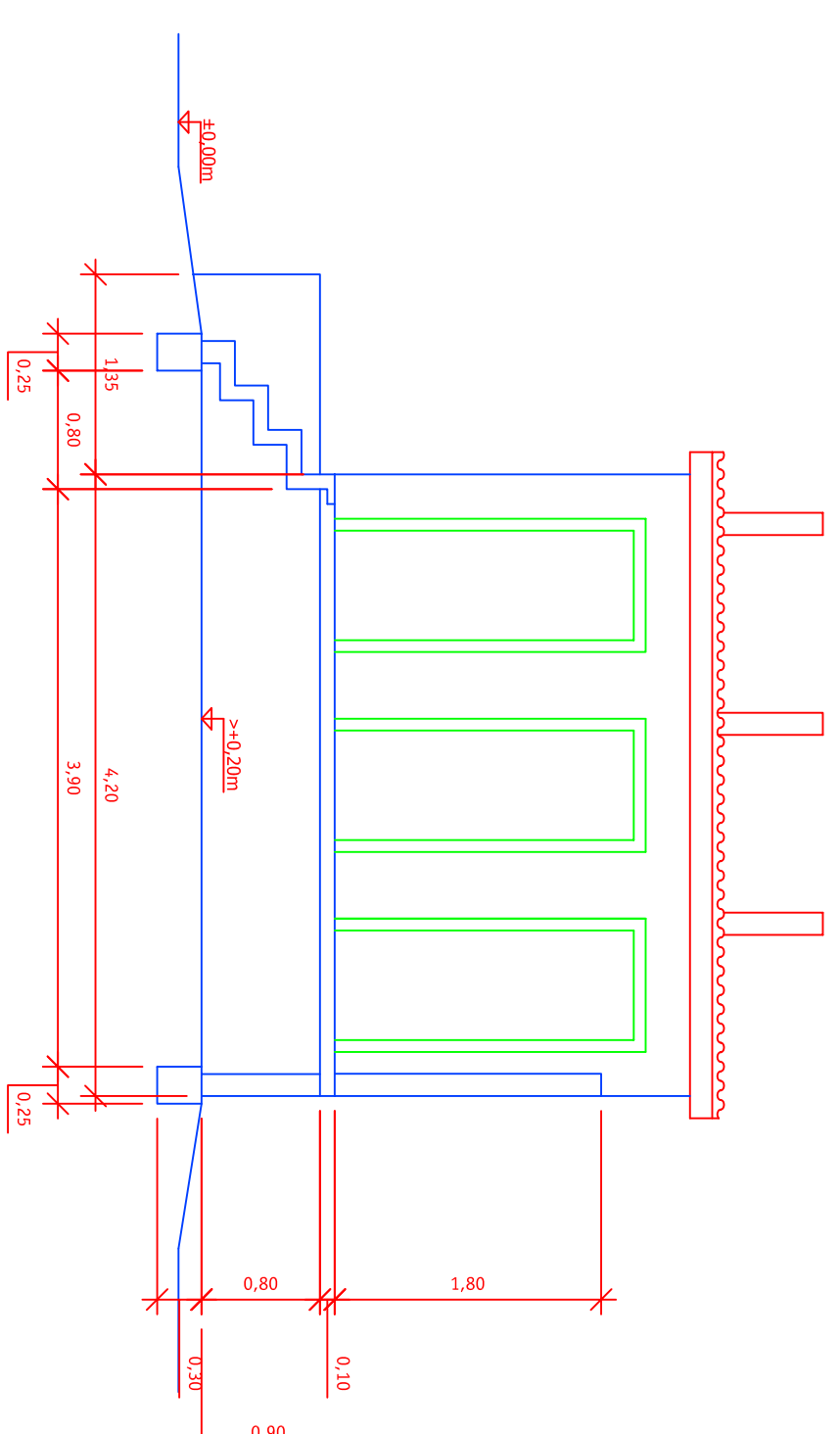
Plan View



Section A-A



Section C-C



Section B-B

Client:

BBM-Beschaffungsbetrieb der MIVA
Mivagasse 3, 4651 Stadl-Paura



Project:

Water Supply and Sanitation
Kitgum St. Joseph Hospital

Content:

Waste Management

Dry Urine Diversion Toilets

Plan View & Sections

scale:	1:50	date:	060722	dsgn:	SI	chk:	
file name:	ddl_05-11vor_060722.dwg	site:		dsgn:	SI	chk:	
base:	site survey	author:	Norman Constructions				
modifications:	01	date:	060725	dsgn:	ML	chk:	
content:	dim						

ESC Consulting OEG

Obermühling 1
3970 Weitra
Austria
T +43 2856 273-39
F +43 2856 273-62

office@ecson.at
www.ecson.at/esc_consulting



planno.: 05-11/04

endl.: 7

dispath:

pdf