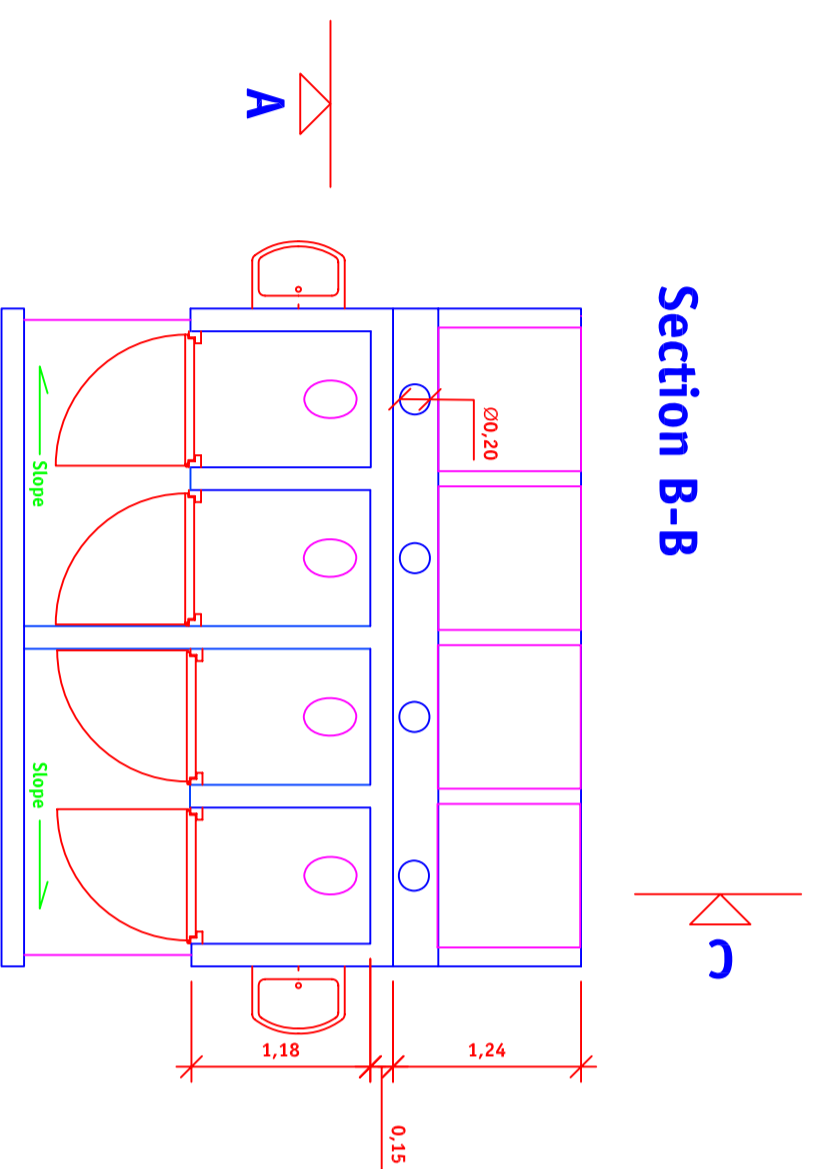
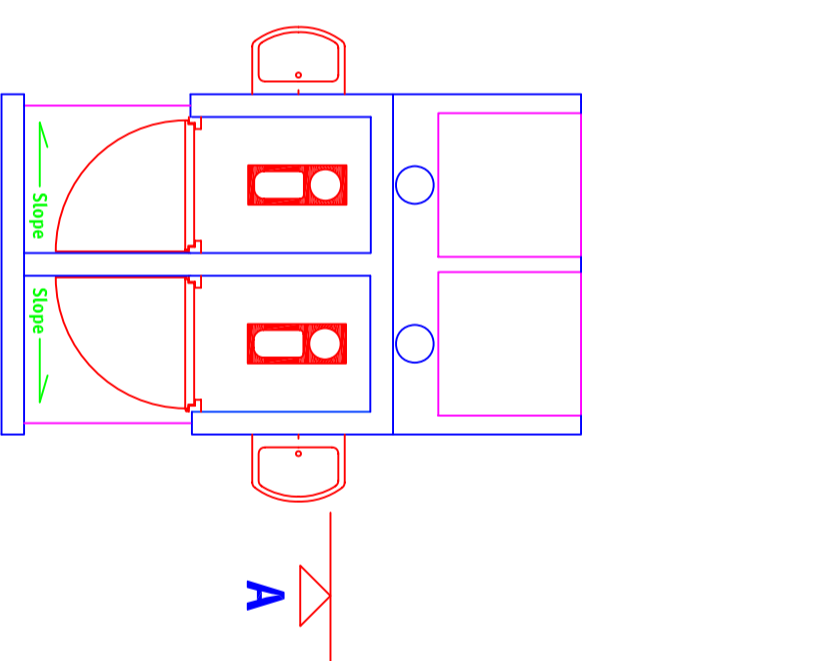


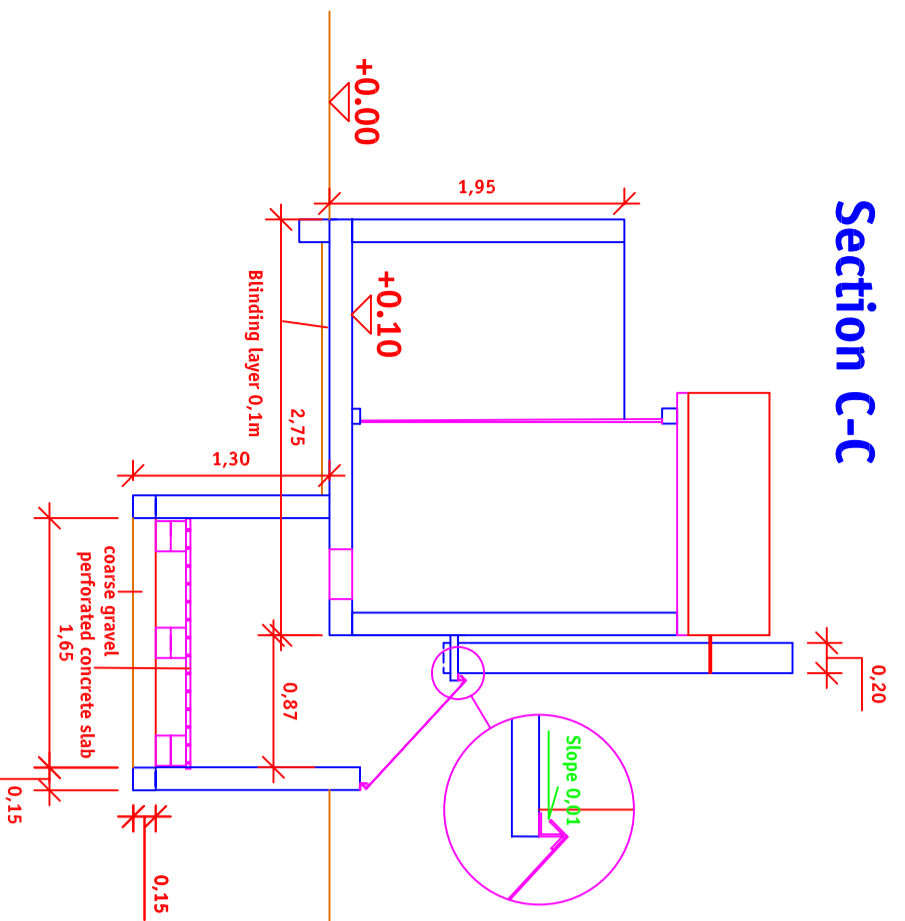
Dry toilets



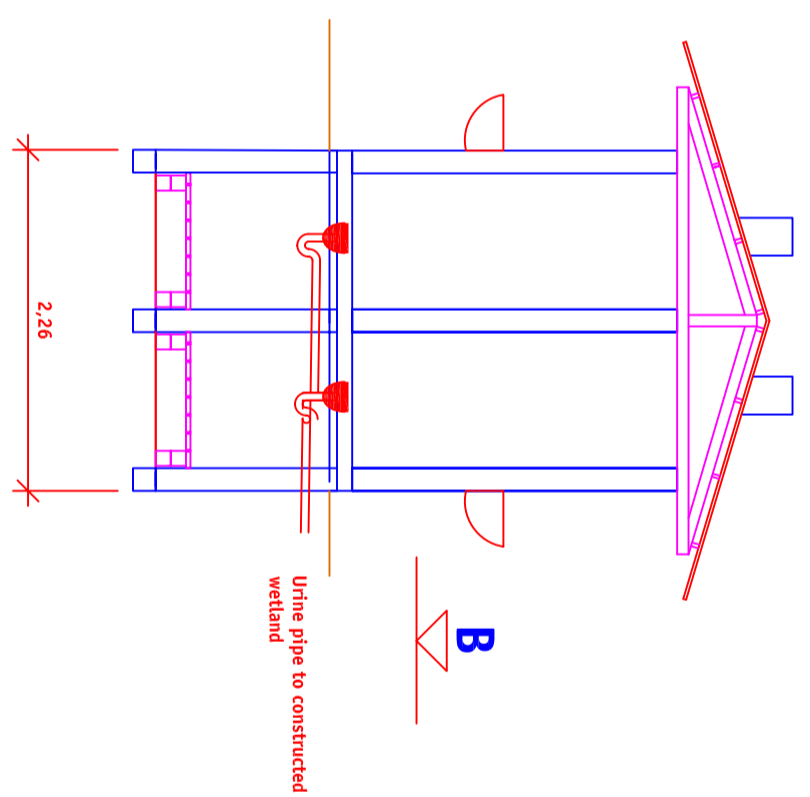
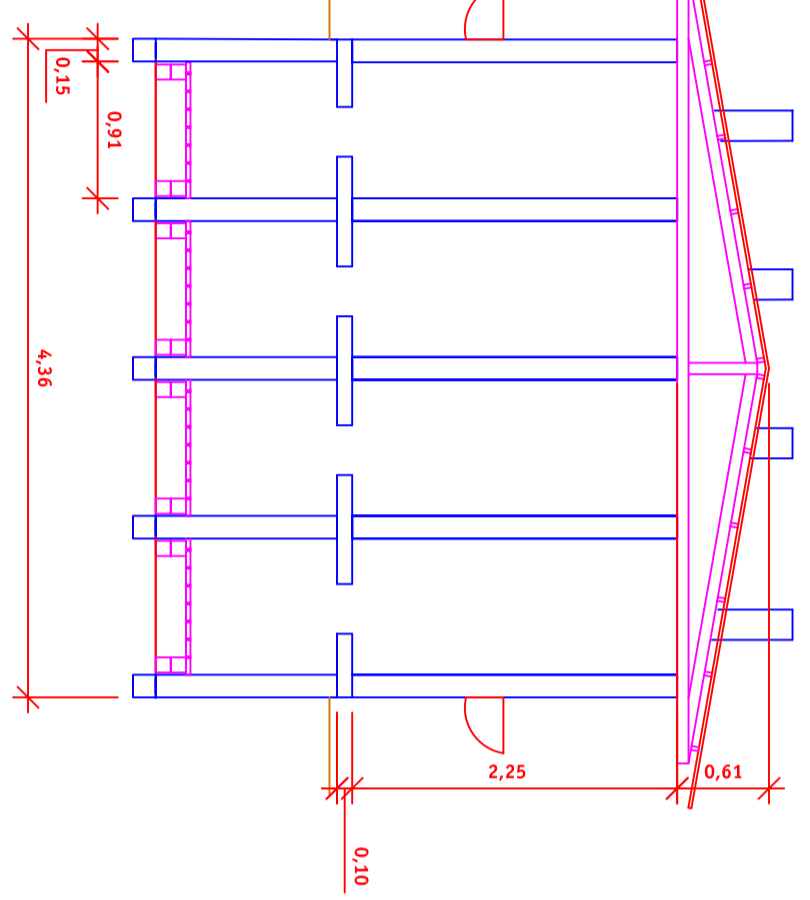
Urine diverting dry toilets



Section C-C



Section A-A



Client:

DKA Austria

F:\Administration\Logos\Logo_BBM_C-AK.jpg

Project:

Water Supply and Sanitation
Miyera Health Center

Contents:

Waste Management

Dry Toilets Plan View & Sections

scale:	1:50	date:	100301	dsgn:		chk:	
file name:		size:		dwg:			
base:							
modifications: 01		Date:	100301	dwg:		chk:	
contents:	volume						

ESC Consulting KG

Wiener Strabe 2
3424 Muckdorf
Austria

T +43 2242 70506 office@ecoson.at
www.esc-consulting.at

F:\Administration\Logos\esc.jpg

plan-no.:	08-03/02	encl.:	4	dispatch:	pdf
-----------	----------	--------	---	-----------	-----